

Pfaff  
Mauser Spezial 9752

**PFAFF**<sup>®</sup>

**MAUSER  
SPEZIAL<sup>®</sup> 9752**

## **Bestandteileliste**

List of spare parts

Liste de pièces détachées

Lista de piezas de repuesto

**Achtung!**

Ersatzteile bitte nur mit den im  
Index aufgeführten **PFAFF-NUMMERN**  
Bestellen (siehe Seiten 76 bis 80).

**Important note:**

For spare part orders please only  
use the **PFAFF-NUMBERS** listed in  
the index (pages 76 to 80).

**Important!**

Veillez commander les pièces de  
rechange uniquement avec leur  
référence complète précisée à  
l'index (pages 76 à 80).

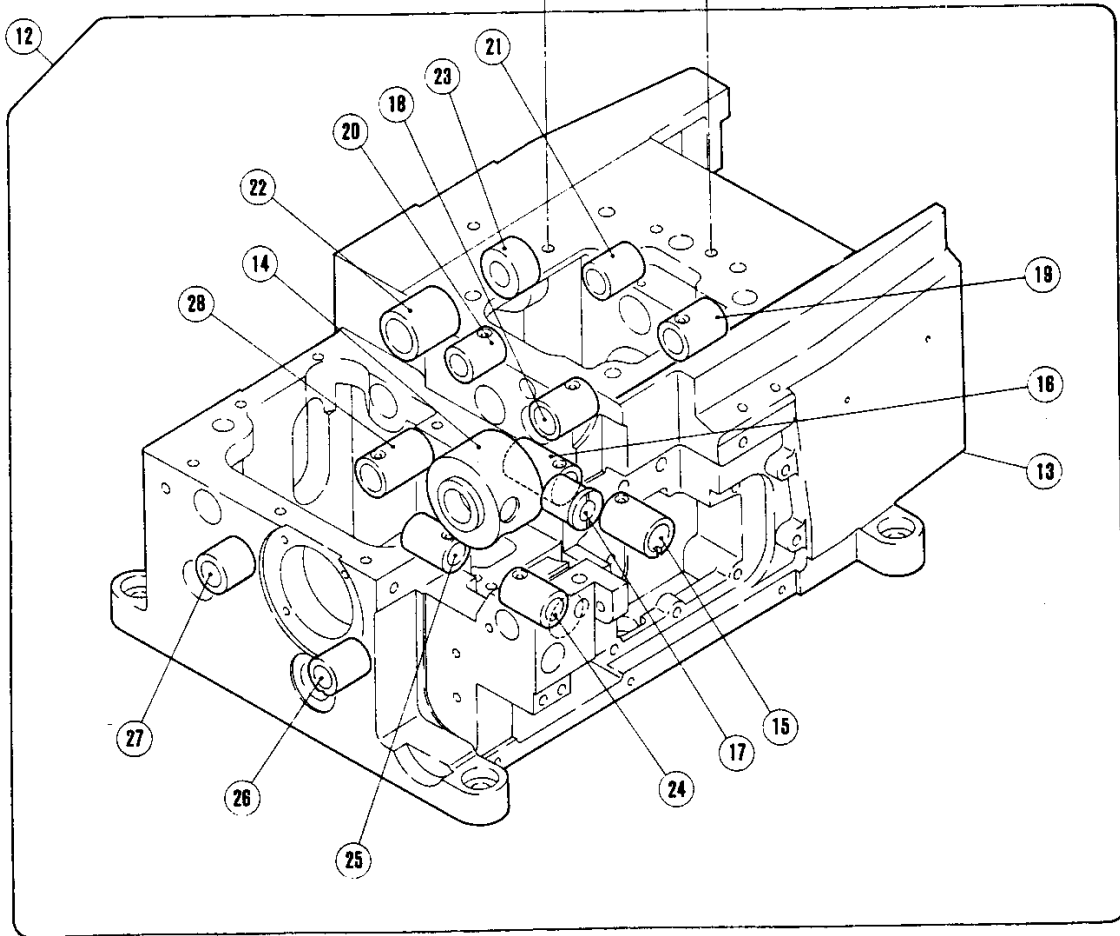
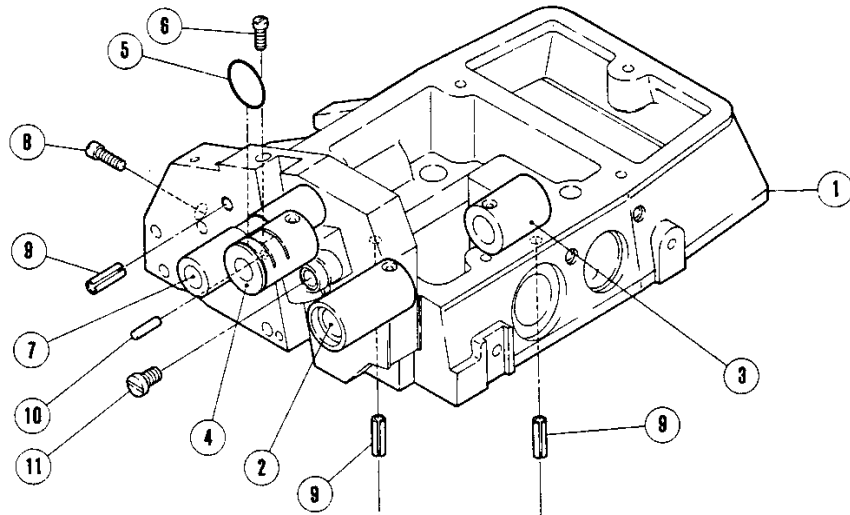
**Atencion!**

Sírvanse hacer sus pedidos sólo  
con los **NUMEROS-PFAFF** indicados  
en el índice ( véanse las  
páginas 76 à 80 ).

**TABLE OF CONTENTS**

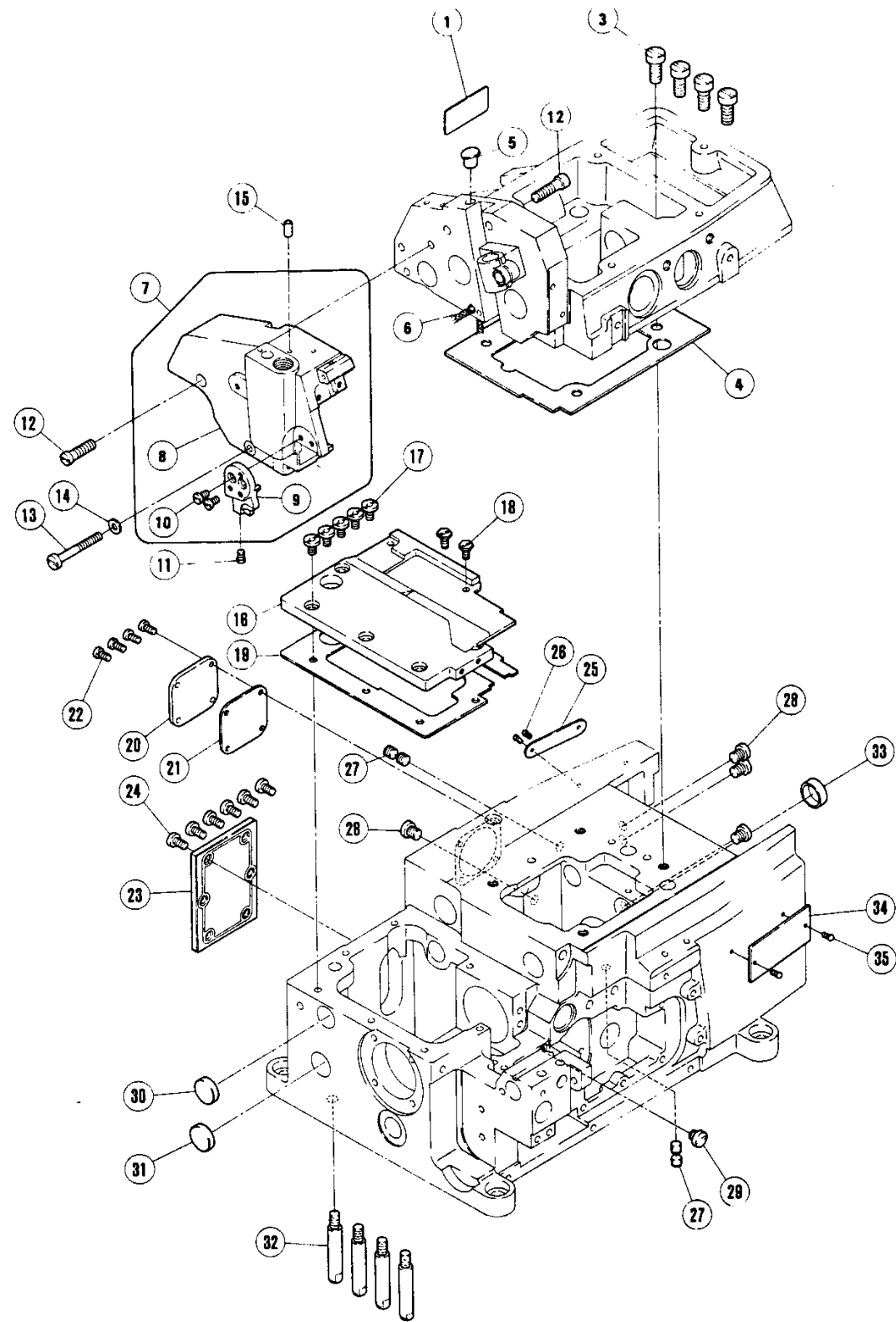
Page

|                                     |       |
|-------------------------------------|-------|
| MACHINE BED FRAME(1)~(2)            | 2~5   |
| COVERS(1)~(2)                       | 6~9   |
| CRANKSHAFT DRIVE MECHANISM(1)~(2)   | 10~13 |
| NEEDLE DRIVE MECHANISM(1)~(2)       | 14~17 |
| UPPER LOOPER DRIVE MECHANISM(1)~(2) | 18~21 |
| -----                               |       |
| LOWER LOOPER DRIVE MECHANISM        | 22~23 |
| FEED MECHANISM(1)~(2)               | 24~27 |
| TOP FEED MECHANISM(1)~(2)           | 28~31 |
| KNIFE DRIVE MECHANISM               | 32~33 |
| PRESSER FOOT MECHANISM              | 34~35 |
| LUBRICATING MECHANISM               | 36~37 |
| -----                               |       |
| LUBRICATING MECHANISM(OLD TYPE)     | 38~39 |
| H. R. DEVICE                        | 40~41 |
| SHIRRING ATTACHMENT                 | 42~43 |
| K L DEVICE                          | 44~45 |
| EDGE GUIDE PIPING ATTACHMENT        | 46~47 |
| -----                               |       |
| SEMI-SUBMERGED INSTALLATION         | 48~49 |
| ACCESSORIES                         | 50~51 |
| THREAD STAND                        | 52~53 |
| GAUGE PARTS CONSTRUCTION CHART      | 54~67 |
| GAUGE PARTS LIST(1)~(8)             | 68~75 |
| -----                               |       |
| PART NUMBER INDEX                   | 76~80 |



# MACHINE BED FRAME(1)

| REF. NO. | PART NO.  | NAME                 | QT. | MEMO |
|----------|-----------|----------------------|-----|------|
| 1        | 212001-CD | MACHINE ARM (RIGHT)  | 1   |      |
| 2        | 210234    | BUSHING              | 1   |      |
| 3        | 210233    | BUSHING              | 1   |      |
| 4        | 210242    | BUSHING              | 1   |      |
| 5        | 210057    | O RING               | 1   |      |
| 6        | 2133-1    | SCREW                | 1   |      |
| 7        | 212048    | BUSHING              | 1   |      |
| 8        | 2133-1    | SCREW                | 1   |      |
| 9        | 201002    | PIN                  | 3   |      |
| 10       | 211385    | PIN                  | 1   |      |
| 11       | 5357      | SCREW                | 1   |      |
| *12      | 212325-CD | MACHINE BED COMPLETE | 1   |      |
| *13      | 212821-CD | MACHINE BED          | 1   |      |
| 14       | 211533    | BUSHING              | 1   |      |
| 15       | 210101    | BUSHING              | 1   |      |
| 16       | 210102    | BUSHING              | 1   |      |
| 17       | 210110    | BUSHING              | 1   |      |
| 18       | 210068    | BUSHING              | 1   |      |
| 19       | 210067    | BUSHING              | 1   |      |
| 20       | 212154    | BUSHING              | 1   |      |
| 21       | 210297    | BUSHING              | 1   |      |
| 22       | 212037    | BUSHING              | 1   |      |
| 23       | 212038    | BUSHING              | 1   |      |
| 24       | 210124    | BUSHING              | 1   |      |
| 25       | 210125    | BUSHING              | 1   |      |
| 26       | 210164    | BUSHING              | 1   |      |
| 27       | 210143    | BUSHING              | 1   |      |
| 28       | 210102    | BUSHING              | 1   |      |



## MACHINE BED FRAME(2)

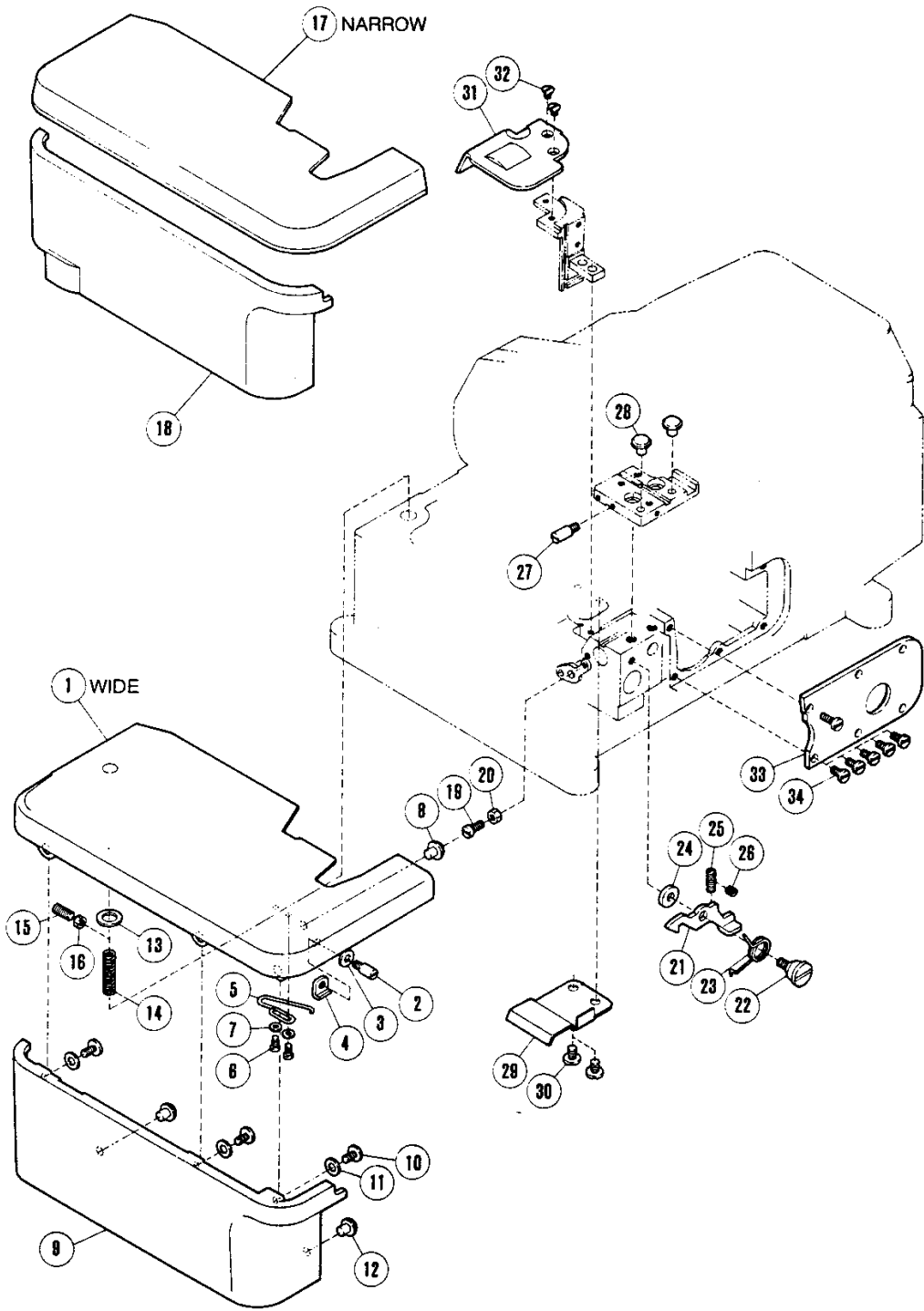
| REF. NO. | PART NO.  | NAME                        | QT. | MEMO |
|----------|-----------|-----------------------------|-----|------|
| 1        | 205724    | NAME PLATE                  | 1   |      |
| 3        | 5078      | SCREW                       | 4   |      |
| 4        | 210002    | GASKET                      | 1   |      |
| 5        | 240052    | PLUG                        | 1   |      |
| * 6      | 202175    | OIL WICK                    | 1   |      |
| * 7      | 212489ACD | MACHINE ARM (LEFT) ASSEMBLY | 1   |      |
| 8        | 212004ACD | MACHINE ARM (LEFT)          | 1   |      |
| 9        | 211389-CD | ARM COVER (LEFT)            | 1   |      |
| 10       | 5328      | SCREW                       | 2   |      |
| 11       | 5146      | SCREW                       | 1   |      |
| 12       | 5163      | SCREW                       | 1   |      |
| 13       | 5595      | SCREW                       | 1   |      |
| 14       | 200149    | GASKET                      | 1   |      |
| 15       | 210528    | OIL PIPE                    | 1   |      |
| 16       | 212007    | BED PLATE                   | 1   |      |
| 17       | 4009-1    | SCREW                       | 5   |      |
| 18       | 5482      | SCREW                       | 2   |      |
| 19       | 212008    | GASEKT                      | 1   |      |
| 20       | 212010-CD | COVER PLATE                 | 1   |      |
| 21       | 212011    | GASKET                      | 1   |      |
| 22       | 5142      | SCREW                       | 4   |      |
| 23       | 210005    | COVER PLATE                 | 1   |      |
| 24       | 5117      | SCREW                       | 6   |      |
| *25      | 230047    | SERIAL NUMBER PLATE         | 1   |      |
| 26       | 210679    | PIN                         | 2   |      |
| 27       | 2913-1    | SCREW                       | 4   |      |
| 28       | 5332A     | SCREW                       | 4   |      |
| 29       | 5434A     | SCREW                       | 1   |      |
| 30       | 208173    | PLUG                        | 1   |      |
| 31       | 210003    | PLUG                        | 1   |      |
| 32       | 204006    | BED PIN                     | 4   |      |
| 33       | 210003    | PLUG                        | 1   |      |
| *34      | 212281A   | TYPE PLATE                  | 1   |      |
| 35       | 210679    | PIN                         | 2   |      |

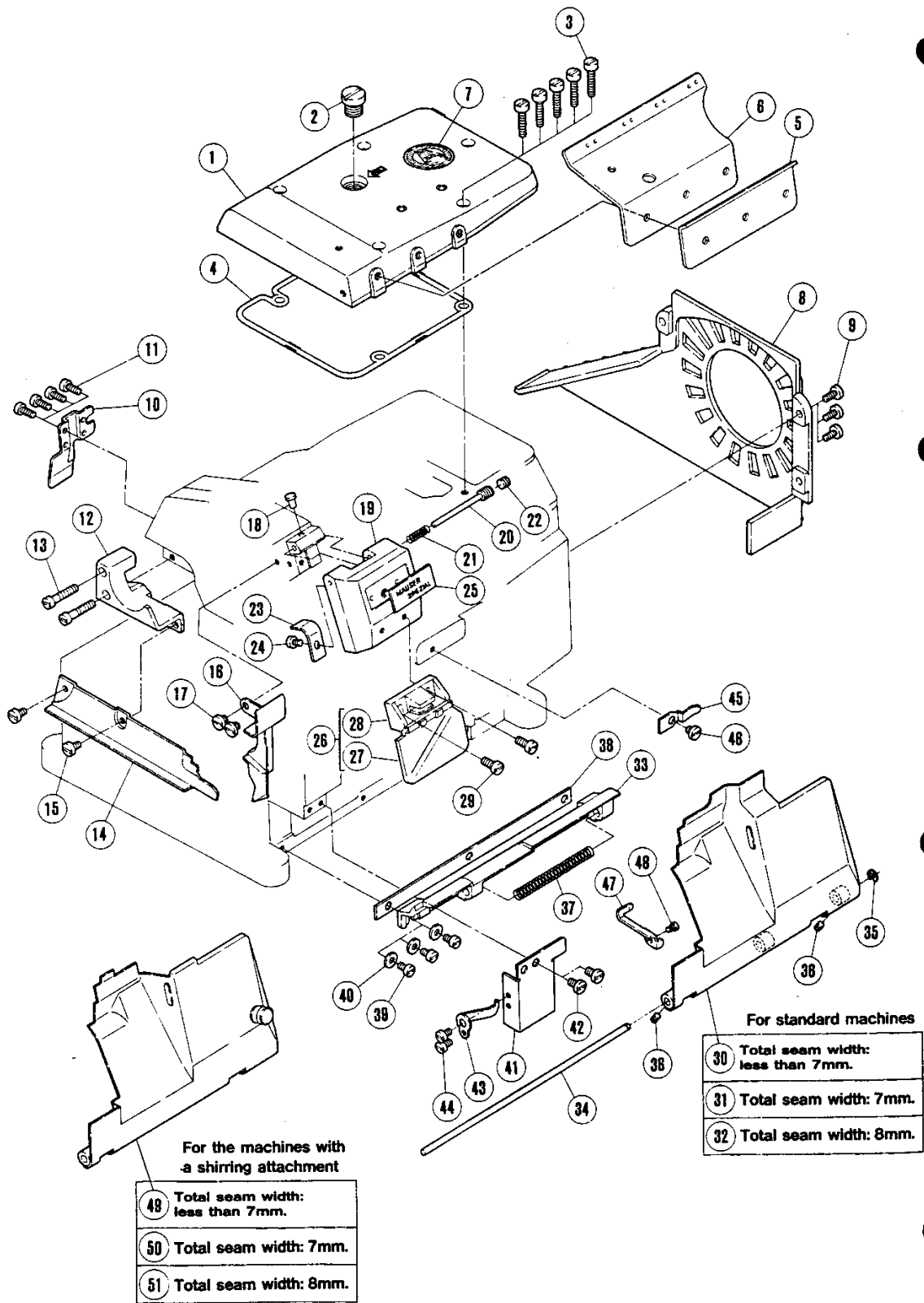
Notice) Parts with mark \* are not for sale.

## COVERS(1)

| REF.<br>NO. | PART NO.  | NAME                      | QT. | MEMO |
|-------------|-----------|---------------------------|-----|------|
| 1           | 210883    | CLOTH PLATE(WIDE)         | 1   |      |
| 2           | 210022    | SCREW                     | 1   |      |
| 3           | 137906    | WASHER                    | 1   |      |
| 4           | 211300    | NUT                       | 1   |      |
| 5           | 210024    | SPRING                    | 1   |      |
| 6           | 5012      | SCREW                     | 2   |      |
| 7           | 202875    | WASHER                    | 2   |      |
| 8           | 210025    | CUSHION                   | 1   |      |
| 9           | 210027-CB | SIDE COVER (WIDE)         | 1   |      |
| 10          | 4009-1    | SCREW                     | 3   |      |
| 11          | 201185    | WASHER                    | 3   |      |
| 12          | 210025    | CUSHION                   | 2   |      |
| 13          | 210020    | WASHER                    | 1   |      |
| 14          | 192130    | SPRING                    | 1   |      |
| 15          | 5483      | SCREW                     | 1   |      |
| 16          | 3044      | NUT                       | 1   |      |
| 17          | 210881    | CLOTH PLATE (NARROW)      | 1   |      |
| 18          | 210026-CB | SIDE COVER (NARROW)       | 1   |      |
| 19          | 1174      | SCREW                     | 1   |      |
| 20          | 3091      | NUT                       | 1   |      |
| 21          | 210021    | LATCH                     | 1   |      |
| 22          | 5488      | SCREW                     | 1   |      |
| 23          | 210023    | SPRING                    | 1   |      |
| 24          | 208245    | WASHER                    | 1   |      |
| 25          | 1435      | SCREW                     | 1   |      |
| 26          | 1459      | SCREW                     | 1   |      |
| 27          | 210022    | SCREW                     | 1   |      |
| 28          | 210025    | CUSHION                   | 2   |      |
| 29          | 210007    | FEED BAR COVER            | 1   |      |
| 30          | 2905      | SCREW                     | 2   |      |
| 31          | 210006    | COVER/FEED ECCENTRIC      | 1   |      |
| 32          | 5480      | SCREW                     | 2   |      |
| 33          | 210117    | UPPER LOOPER HOLDER COVER | 1   |      |
| 34          | 4009-1    | SCREW                     | 5   |      |



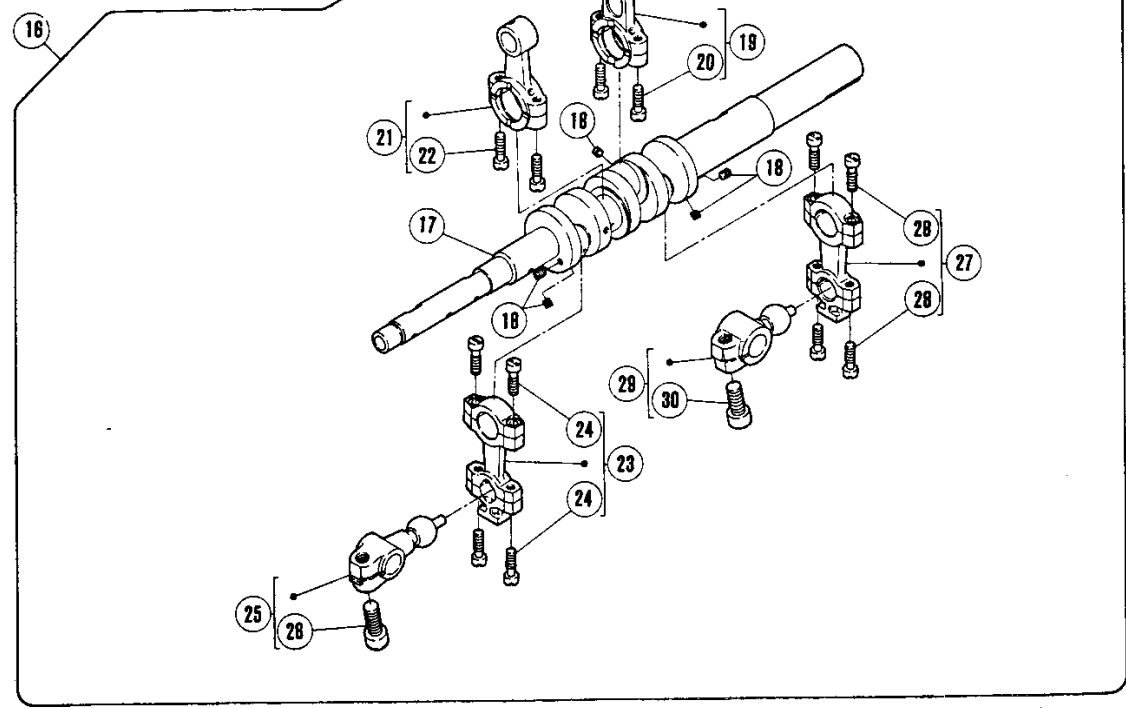
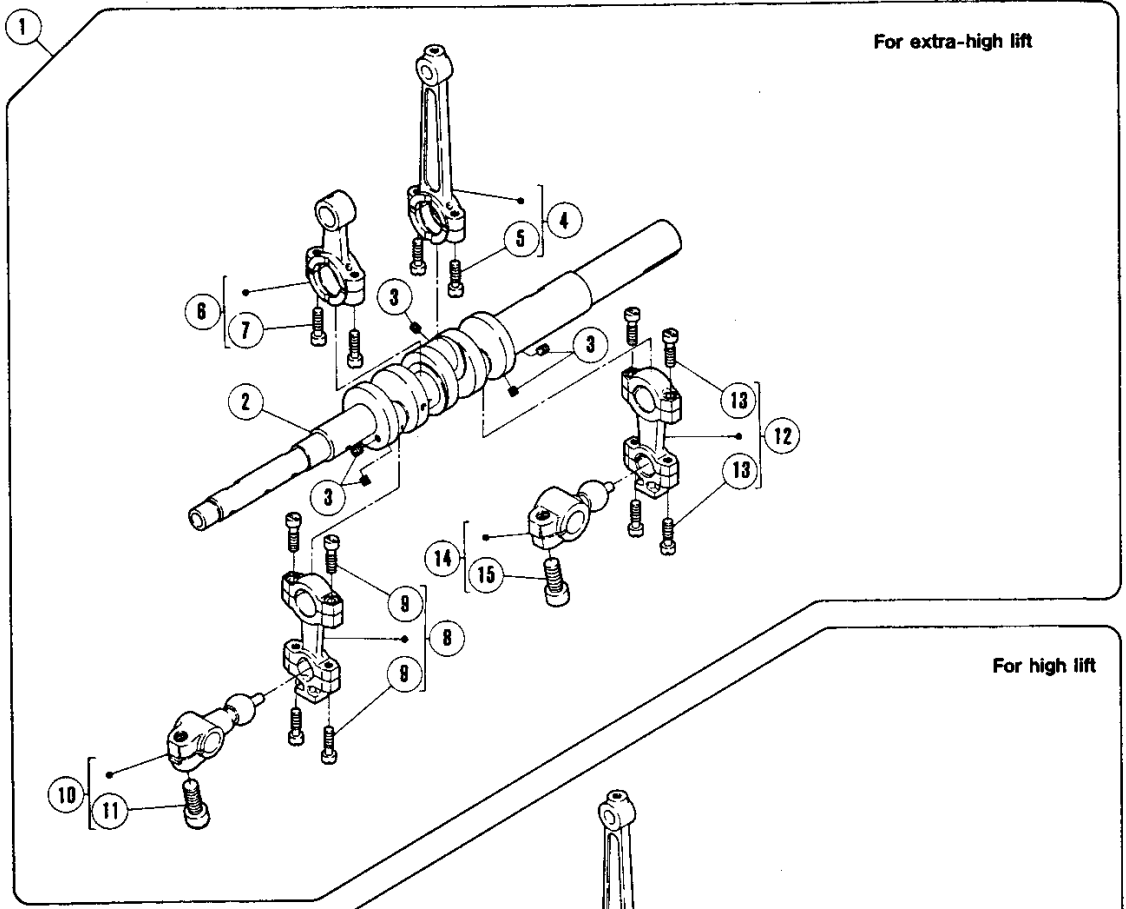




## COVERS(2)

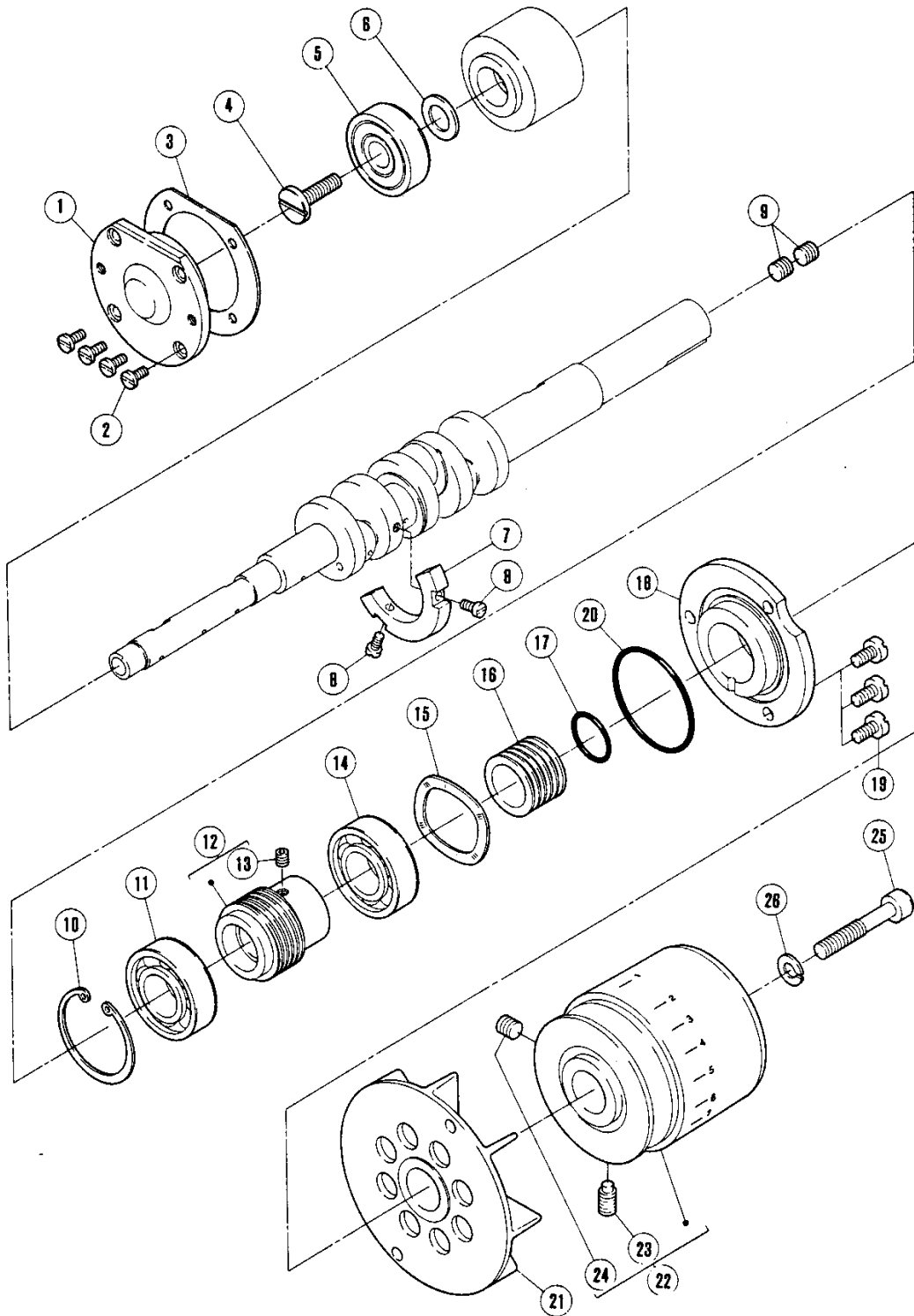
| REF. NO. | PART NO.  | NAME                       | QT. | MEMO |
|----------|-----------|----------------------------|-----|------|
| 1        | 211799-CD | TOP COVER                  | 1   |      |
| 2        | 5198      | SCREW                      | 1   |      |
| 3        | 5095      | SCREW                      | 5   |      |
| 4        | 210035    | O RING                     | 1   |      |
| 5        | 211800    | TENSION GUIDE              | 1   |      |
| 6        | 211801    | THREAD TENSION COMPLETE    | 1   |      |
| * 7      | 211313    | NAME PLATE                 | 1   |      |
| 8        | 210028-CB | BELT COVER                 | 1   |      |
| 9        | 5117      | SCREW                      | 3   |      |
| 10       | 212009    | REAR COVER                 | 1   |      |
| 11       | 5142      | SCREW                      | 4   |      |
| 12       | 212006    | BRACKET                    | 1   |      |
| 13       | 5163      | SCREW                      | 2   |      |
| 14       | 212005    | FABRIC GUARD               | 1   |      |
| 15       | 2905      | SCREW                      | 2   |      |
| 16       | 212609-91 | COVER/MACHINE ARM LEFT     | 1   |      |
| 17       | 2905      | SCREW                      | 2   |      |
| 18       | 198192    | CUSHION RUBBER             | 1   |      |
| 19       | 211959-BD | NEEDLE THREAD COVER        | 1   |      |
| 20       | 5589      | SCREW                      | 1   |      |
| 21       | 211958    | SPRING                     | 1   |      |
| 22       | 5060      | SCREW                      | 1   |      |
| 23       | 210223    | FLAT SPRING                | 1   |      |
| 24       | 1216      | SCREW                      | 1   |      |
| 25       | 205724    | NAME PLATE                 | 1   |      |
| 26       | 208747    | EYE GUARD COMPLETE         | 1   |      |
| 27       | 205685    | EYE GUARD                  | 1   |      |
| 28       | 208744    | EYE GUARD BRACKET COMPLETE | 1   |      |
| 29       | 1175-3    | SCREW                      | 2   |      |
| 30       | 210225    | FRONT COVER                | 1   |      |
| 31       | 211702    | FRONT COVER                | 1   |      |
| 32       | 211794    | FRONT COVER                | 1   |      |
| 33       | 210042    | HINGE/FRONT COVER          | 1   |      |
| 34       | 208009    | PIN                        | 1   |      |
| 35       | 200555    | RING                       | 1   |      |
| 36       | 5292      | SCREW                      | 2   |      |
| 37       | 210043    | SPRING                     | 1   |      |
| 38       | 210047    | GASKET                     | 1   |      |
| 39       | 1202      | SCREW                      | 3   |      |
| 40       | 137906    | WASHER                     | 3   |      |
| 41       | 210046    | GUIDE/FRONT COVER          | 1   |      |
| 42       | 4009-1    | SCREW                      | 2   |      |
| 43       | 210045    | FLAT SPRING                | 1   |      |
| 44       | 1216      | SCREW                      | 2   |      |
| 45       | 210044    | FLAT SPRING                | 1   |      |
| 46       | 2905      | SCREW                      | 1   |      |
| 47       | 211840    | STOPPER/FRONT COVER        | 1   |      |
| 48       | 5012      | SCREW                      | 1   |      |
| 49       | 211698    | FRONT COVER                | 1   |      |
| 50       | 211698A   | FRONT COVER                | 1   |      |
| 51       | 211698B   | FRONT COVER                | 1   |      |

Notice) Parts with mark \* are not for sale.



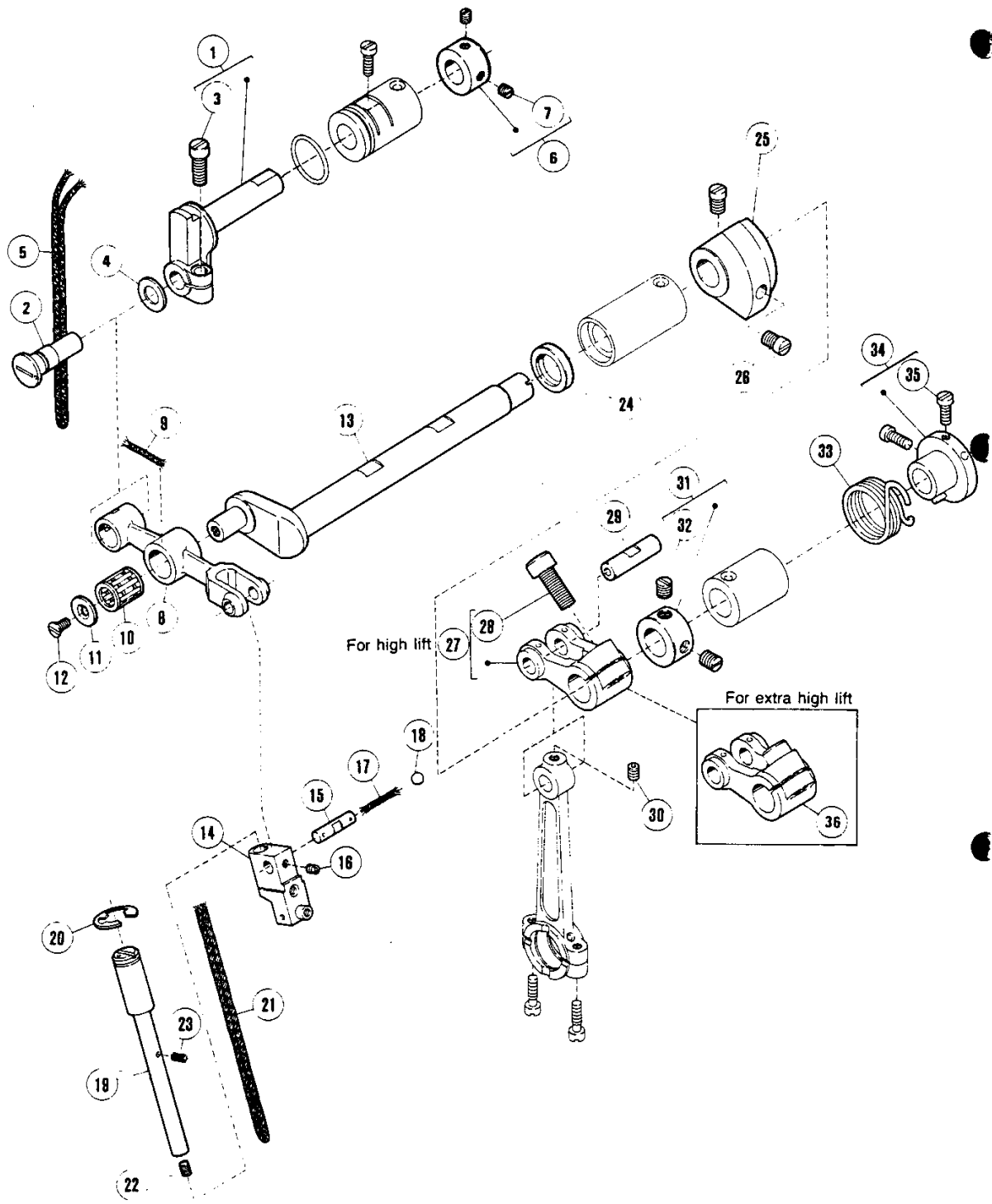
## CRANKSHAFT DRIVE MECHANISM(1)

| REF. NO. | PART NO.  | NAME                         | QT. | MEMO |
|----------|-----------|------------------------------|-----|------|
| 1        | 212670B   | CRANKSHAFT ASSEMBLY          | 1   |      |
| 2        | 210228-PD | CRANKSHAFT                   | 1   |      |
| 3        | 1459      | SCREW                        | 5   |      |
| 4        | 210229    | CONNECTION/NEEDLE DRIVE      | 1   |      |
| 5        | 5376      | SCREW                        | 2   |      |
| 6        | 210173    | CONNECTION/UPPER KNIFE DRIVE | 1   |      |
| 7        | 5376      | SCREW                        | 2   |      |
| 8        | 210091    | CONNECTION                   | 1   |      |
| 9        | 5376      | SCREW                        | 4   |      |
| 10       | 211652    | CRANK/LOWER LOOPER HOLDER    | 1   |      |
| 11       | 5457      | SCREW                        | 1   |      |
| 12       | 210091    | CONNECTION                   | 1   |      |
| 13       | 5376      | SCREW                        | 4   |      |
| 14       | 210731    | CRANK/UPPER LOOPER           | 1   |      |
| 15       | 5457      | SCREW                        | 1   |      |
| 16       | 212657B   | CRANKSHAFT ASSEMBLY          | 1   |      |
| 17       | 210228-PC | CRANKSHAFT                   | 1   |      |
| 18       | 1459      | SCREW                        | 5   |      |
| 19       | 210229    | CONNECTION/NEEDLE DRIVE      | 1   |      |
| 20       | 5376      | SCREW                        | 2   |      |
| 21       | 210173    | CONNECTION/UPPER KNIFE DRIVE | 1   |      |
| 22       | 5376      | SCREW                        | 2   |      |
| 23       | 210091    | CONNECTION                   | 1   |      |
| 24       | 5376      | SCREW                        | 4   |      |
| 25       | 210734    | CRANK/LOWER LOOPER DRIVE     | 1   |      |
| 26       | 5457      | SCREW                        | 1   |      |
| 27       | 210091    | CONNECTION                   | 1   |      |
| 28       | 5376      | SCREW                        | 4   |      |
| 29       | 210731    | CRANK/UPPER LOOPER           | 1   |      |
| 30       | 5457      | SCREW                        | 1   |      |



## CRANKSHAFT DRIVE MECHANISM(2)

| REF.<br>NO. | PART NO.  | NAME                  | QT. | MEMO |
|-------------|-----------|-----------------------|-----|------|
| 1           | 204737A   | HOUSING               | 1   |      |
| 2           | 5328      | SCREW                 | 4   |      |
| 3           | 204319    | GASKET                | 1   |      |
| 4           | 5497      | SCREW                 | 1   |      |
| 5           | 204010    | BUSHING               | 1   |      |
| 6           | 240102    | WASHER                | 1   |      |
| 7           | 210062    | BALANCE WEIGHT        | 1   |      |
| 8           | 5029      | SCREW                 | 2   |      |
| 9           | 1448      | SCREW                 | 2   |      |
| 10          | 211527    | RING                  | 1   |      |
| 11          | 212987    | BALL BEARING          | 1   |      |
| 12          | 211530    | WORM                  | 1   |      |
| 13          | 5461      | SCREW                 | 1   |      |
| 14          | 211526    | BALL BEARING          | 1   |      |
| 15          | 211529    | WASHER                | 1   |      |
| 16          | 210056    | OIL SEAL              | 1   |      |
| 17          | 210057    | O RING                | 1   |      |
| 18          | 211528    | BALL BEARING RETAINER | 1   |      |
| 19          | 5117      | SCREW                 | 3   |      |
| 20          | 210055    | O RING                | 1   |      |
| 21          | 210058    | COOLING FAN           | 1   |      |
| 22          | 211345ABD | MACHINE PULLEY        | 1   |      |
| 23          | 5523      | SCREW                 | 1   |      |
| 24          | 5050      | SCREW                 | 1   |      |
| 25          | 5522      | SCREW                 | 1   |      |
| 26          | 204293    | SPRING WASHER         | 1   |      |

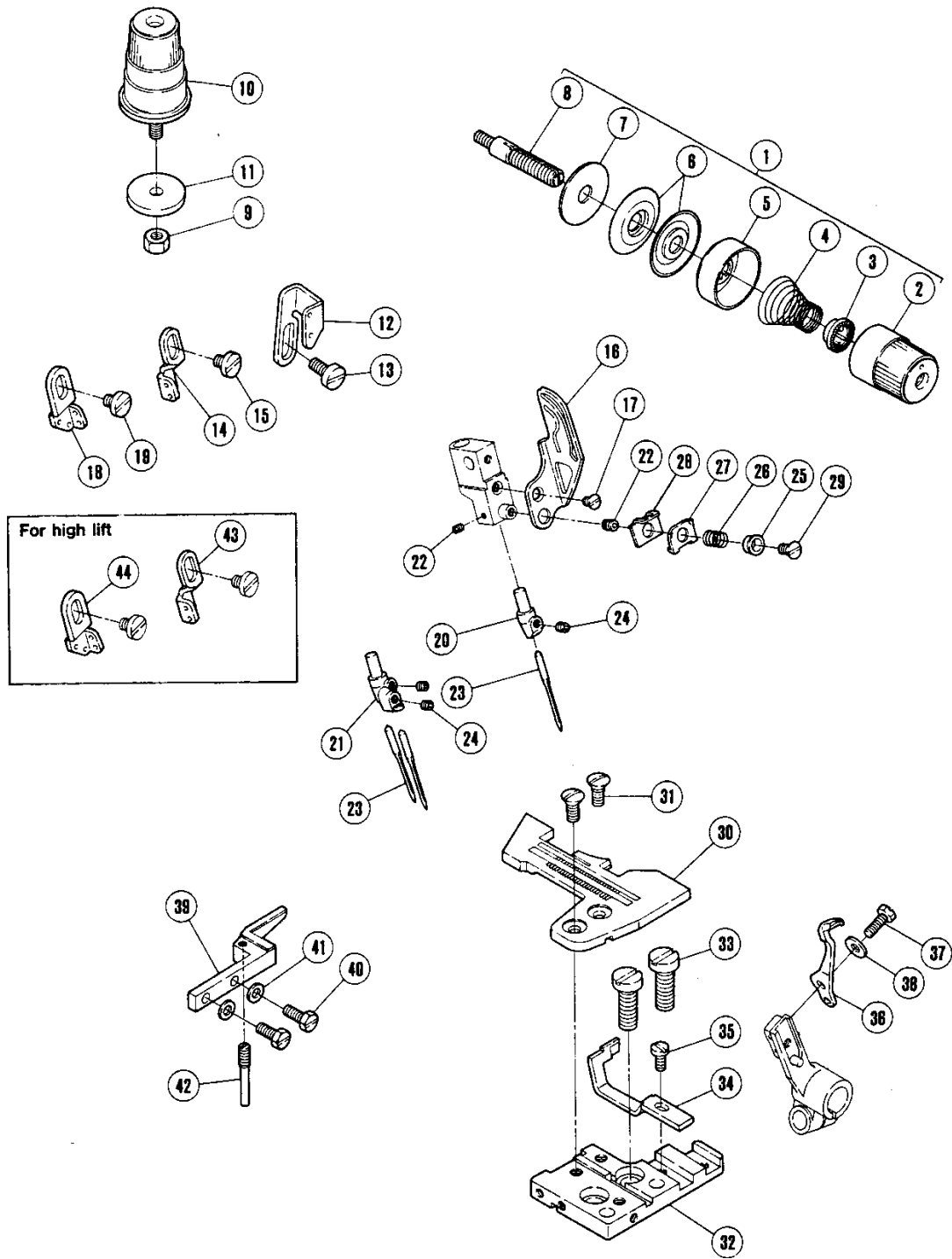




## NEEDLE DRIVE MECHANISM(1)

| REF.<br>NO. | PART NO.  | NAME                | QT. | MEMO |
|-------------|-----------|---------------------|-----|------|
| 1           | 210239    | HOLDER              | 1   |      |
| 2           | 210240    | PIN                 | 1   |      |
| 3           | 5485      | SCREW               | 1   |      |
| 4           | 210241    | WASHER              | 1   |      |
| * 5         | 212186    | OIL WICK            | 1   |      |
| 6           | 201056    | COLLAR              | 1   |      |
| 7           | 1457      | SCREW               | 1   |      |
| 8           | 210235    | LEVER/NEEDLE DRIVE  | 1   |      |
| * 9         | 202175    | OIL WICK            | 1   |      |
| 10          | 210238-2  | NEEDLE BEARING      | 1   |      |
| 11          | 210236    | WASHER              | 1   |      |
| 12          | 5022      | SCREW               | 1   |      |
| 13          | 210232    | SHAFT/NEEDLE DRIVE  | 1   |      |
| 14          | 212412A   | NEEDLE HOLDER GUIDE | 1   |      |
| 15          | 210237A-2 | PIN                 | 1   |      |
| 16          | 5292      | SCREW               | 1   |      |
| *17         | 202174    | OIL WICK            | 1   |      |
| 18          | 240148    | PLUG                | 1   |      |
| 19          | 212413    | SHAFT               | 1   |      |
| 20          | 202577    | RING                | 1   |      |
| *21         | 202175    | OIL WICK            | 1   |      |
| 22          | 5292      | SCREW               | 1   |      |
| *23         | 202174    | OIL WICK            | 1   |      |
| 24          | 210069    | OIL SEAL            | 1   |      |
| 25          | 210511    | BALANCE WEIGHT      | 1   |      |
| 26          | 5059      | SCREW               | 2   |      |
| 27          | 210231    | CRANK/NEEDLE DRIVE  | 1   |      |
| 28          | 5457      | SCREW               | 1   |      |
| 29          | 211649    | CRANK/NEEDLE DRIVE  | 1   |      |
| 30          | 204146    | PIN                 | 1   |      |
| 31          | 5461      | SCREW               | 1   |      |
| 32          | 201635    | COLLAR              | 1   |      |
| 33          | 5060      | SCREW               | 2   |      |
| 34          | 212785    | SPRING              | 1   |      |
| 35          | 212786-91 | COLLAR              | 1   |      |
| 36          | 1174      | SCREW               | 2   |      |

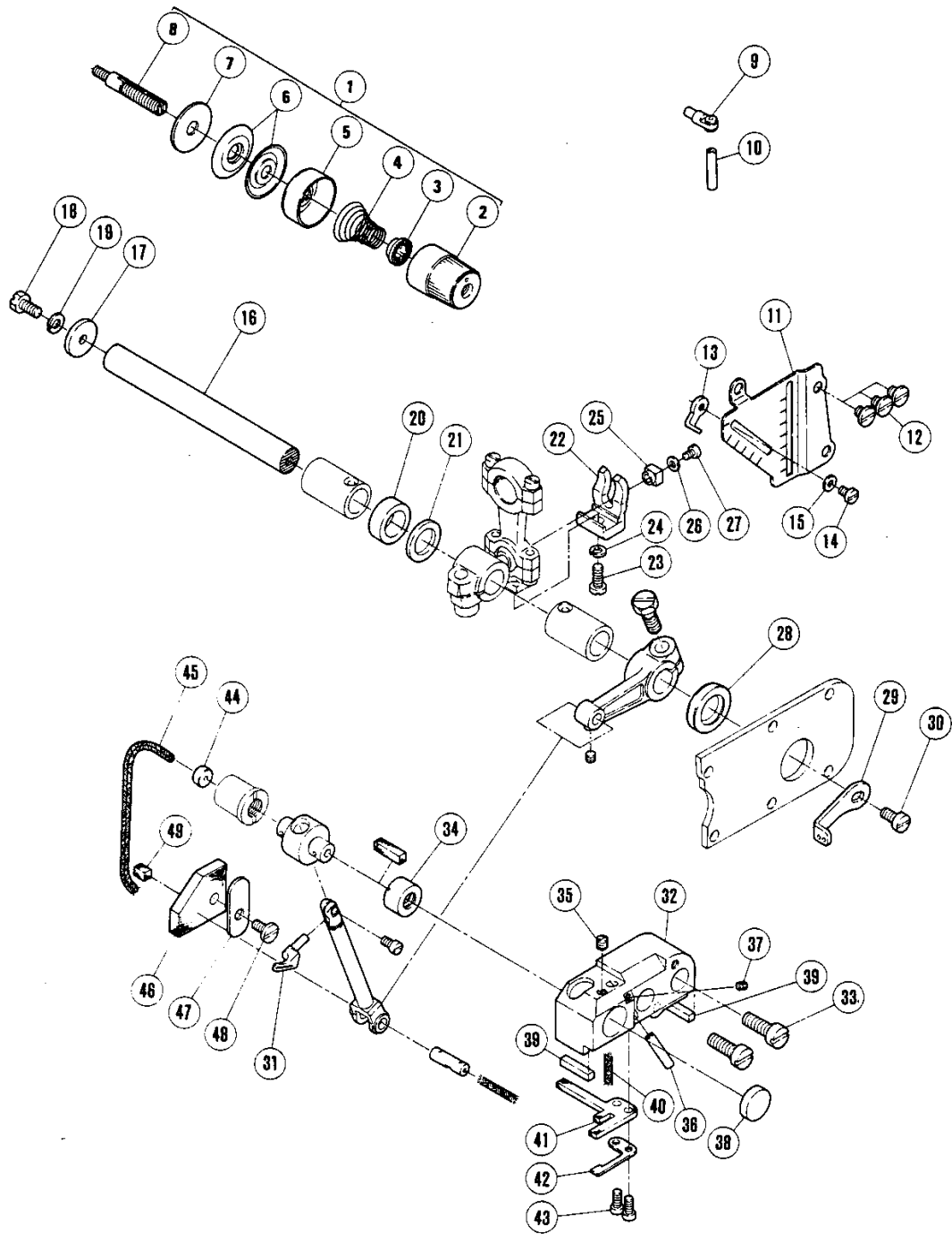
Notice) Parts with mark \* are not for sale.



## NEEDLE DRIVE MECHANISM(2)

| REF.<br>NO. | PART NO.  | NAME                          | QT. | MEMO |
|-------------|-----------|-------------------------------|-----|------|
| 1           | 210529-BA | THREAD TENSION COMPLETE       | 1   |      |
| 2           | 208447    | POST NUT                      | 1   |      |
| 3           | 208448    | SPRING BUSHING                | 1   |      |
| 4           | 201037    | SPRING (HEAVY)                | 1   |      |
| 5           | 208450    | CUP                           | 1   |      |
| 6           | 210319    | TENSION DISC                  | 2   |      |
| 7           | 208449    | FELT                          | 1   |      |
| 8           | 5082A     | SCREW STUD                    | 1   |      |
| 9           | 5137      | NUT                           | 1   |      |
| 10          | 210529-BA | THREAD TENSION COMPLETE       | 1   |      |
| 11          | 201880    | WASHER                        | 1   |      |
| 12          | 210264    | THREAD GUIDE                  | 1   |      |
| 13          | 5117      | SCREW                         | 1   |      |
| 14          | 212723A   | NEEDLE/THREAD GUIDE(RIGHT)    | 1   |      |
| 15          | 5535      | SCREW                         | 1   |      |
| 16          | 212721    | THREAD TAKEUP                 | 1   |      |
| 17          | 5446      | SCREW                         | 1   |      |
| 18          | 212722A   | NEEDLE/THREAD GUIDE(LEFT)     | 1   |      |
| 19          | 5535      | SCREW                         | 1   |      |
| 20          | 211358    | NEEDLE HOLDER                 | 1   |      |
| 21          | XXXXXX    | NEEDLE HOLDER                 | 1   |      |
| 22          | 5292      | SCREW                         | 2   |      |
| 23          | XXXXXX    | NEEDLE                        |     |      |
| 24          | 5292      | SCREW                         |     |      |
| 25          | 210750    | GUIDE                         | 1   |      |
| 26          | 210751    | SPRING                        | 1   |      |
| 27          | 212504    | TENSION DISC                  | 1   |      |
| 28          | 212503    | BRACKET                       | 1   |      |
| 29          | 5022      | SCREW                         | 1   |      |
| 30          | XXXXXX    | NEEDLE PLATE                  | 1   |      |
| 31          | 5484-HC   | SCREW                         | 2   |      |
| 32          | 211392    | BRACKET COMPLETE              | 1   |      |
| 33          | 5357      | SCREW                         | 2   |      |
| 34          | XXXXXX    | NEEDLE GUARD (FRONT)          | 1   |      |
| 35          | 5328      | SCREW                         | 1   |      |
| 36          | 210724    | NEEDLE GUARD (REAR)           | 1   |      |
| 37          | 5501      | SCREW                         | 1   |      |
| 38          | 210930    | SPRING WASHER                 | 1   |      |
| 39          | 210922    | SUPPORT COMPLETE/NEEDLE PLATE | 1   |      |
| 40          | 5501      | SCREW                         | 2   |      |
| 41          | 210898    | WASHER                        | 2   |      |
| 42          | 210923    | SCREW                         | 1   |      |
| 43          | 212723    | NEEDLE/THREAD GUIDE(RIGHT)    | 1   |      |
| 44          | 212722    | NEEDLE/THREAD GUIDE(LEFT)     | 1   |      |

See pages 54~75 for ×××××.



## UPPER LOOPER DRIVE MECHANISM(1)

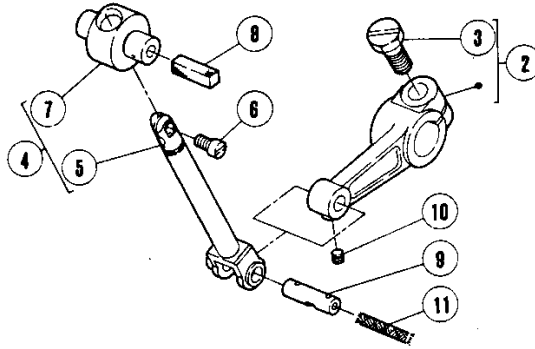
| REF. NO. | PART NO.  | NAME                       | QT. | MEMO |
|----------|-----------|----------------------------|-----|------|
| 1        | 210531-BA | THREAD TENSION COMPLETE    | 1   |      |
| 2        | 208447    | POST NUT                   | 1   |      |
| 3        | 208448    | SPRING BUSHING             | 1   |      |
| 4        | 201068    | SPRING (LIGHT)             | 1   |      |
| 5        | 208450    | CUP                        | 1   |      |
| 6        | 210319    | TENSION DISC               | 2   |      |
| 7        | 208449    | FELT                       | 1   |      |
| 8        | 5082A     | SCREW STUD                 | 1   |      |
| 9        | 201439A   | THREAD EYELET              | 1   |      |
| 10       | 204657    | PIPE                       | 1   |      |
| 11       | 210349    | LOOPER THREAD GUIDE PLATE  | 1   |      |
| 12       | 2905      | SCREW                      | 3   |      |
| 13       | 210350    | THREAD GUIDE/UPPER LOOPER  | 1   |      |
| 14       | 5519      | SCREW                      | 1   |      |
| 15       | 202875    | WASHER                     | 1   |      |
| 16       | 210099    | SHAFT/UPPER LOOPER DRIVE   | 1   |      |
| 17       | 210100    | WASHER                     | 1   |      |
| 18       | 2193      | SCREW                      | 1   |      |
| 19       | 202286    | SPRING WASHER              | 1   |      |
| 20       | 210267    | SPACER                     | 1   |      |
| 21       | 206180    | WASHER                     | 1   |      |
| 22       | 210092    | GUIDE/CONNECTION           | 1   |      |
| 23       | 5546      | SCREW                      | 1   |      |
| 24       | 202286    | SPRING WASHER              | 1   |      |
| 25       | 210093    | BLOCK                      | 1   |      |
| 26       | 210585    | WASHER                     | 1   |      |
| 27       | 1231      | SCREW                      | 1   |      |
| 28       | 210103    | OIL SEAL                   | 1   |      |
| 29       | 212728    | THREAD TAKEUP/UPPER LOOPER | 1   |      |
| 30       | 2902      | SCREW                      | 1   |      |
| 31       | XXXXXX    | UPPER LOOPER               | 1   |      |
| 32       | 211995    | BASE/UPPER LOOPER HOLDER   | 1   |      |
| 33       | 5282      | SCREW                      | 2   |      |
| 34       | 210109    | BUSHING                    | 1   |      |
| 35       | 5408      | SCREW                      | 1   |      |
| 36       | 204657    | PIPE                       | 1   |      |
| 37       | 5292      | SCREW                      | 1   |      |
| 38       | 208173    | PLUG                       | 1   |      |
| 39       | 210118    | GASKET                     | 2   |      |
| *40      | 202175    | OIL WICK                   | 1   |      |
| 41       | 210114    | OIL FELT                   | 1   |      |
| 42       | 210115    | SET PLATE                  | 1   |      |
| 43       | 5012      | SCREW                      | 2   |      |
| 44       | 208592    | CAP                        | 1   |      |
| *45      | 202174    | OIL WICK                   | 1   |      |
| 46       | 210112A   | OIL FELT                   | 1   |      |
| 47       | 210113    | SET PLATE                  | 1   |      |
| 48       | 4009-1    | SCREW                      | 1   |      |
| 49       | 210721    | OIL FELT                   | 1   |      |

Notice) Parts with mark \* are not for sale.

See pages 54~75 for XXXXXX.

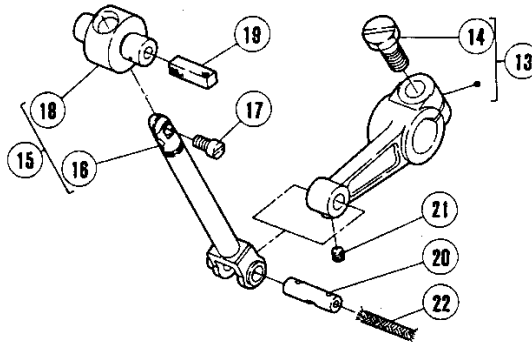
1

Extra-high lift



12

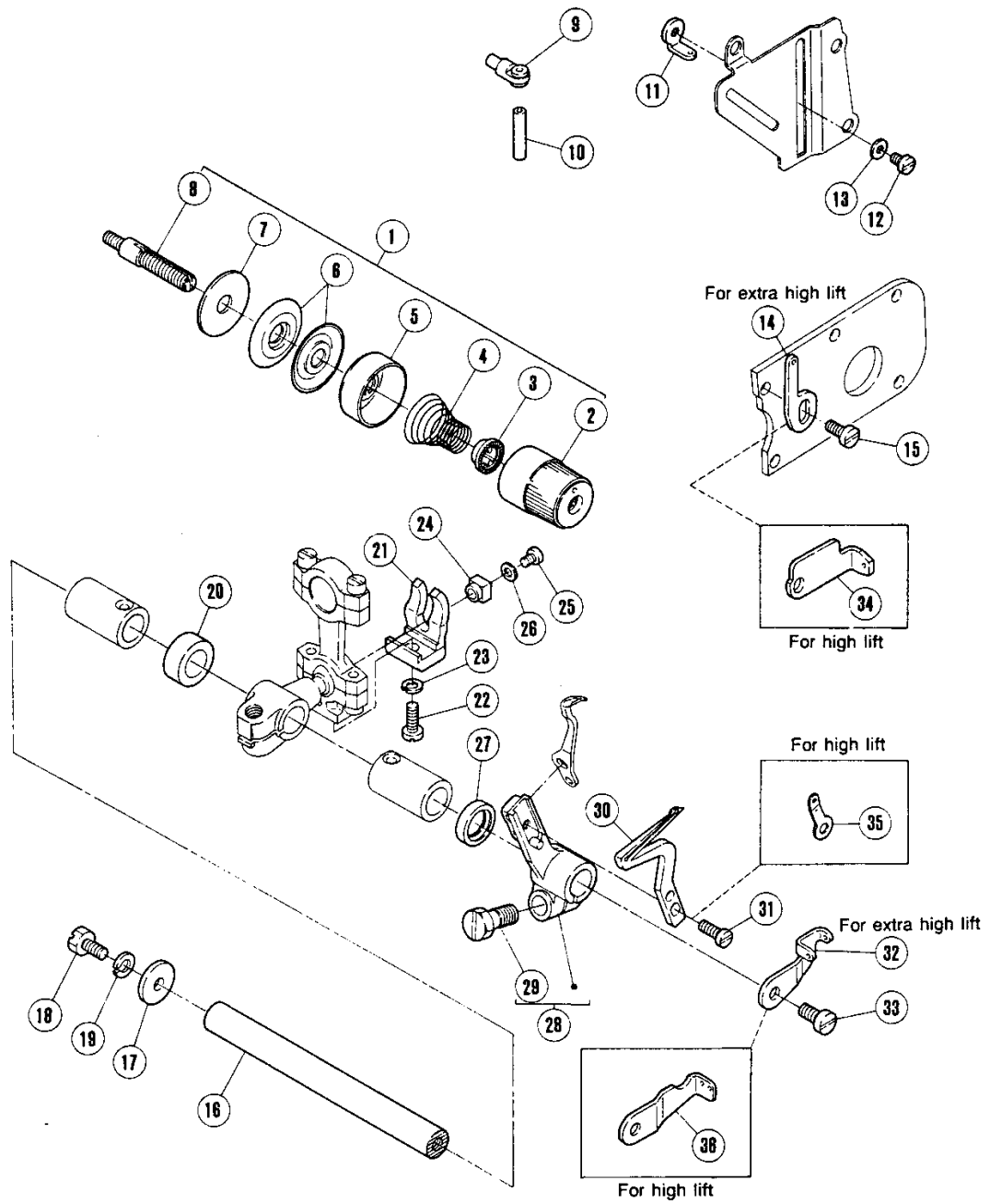
High lift



## UPPER LOOPER DRIVE MECHANISM(2)

| REF.<br>NO. | PART NO.  | NAME                         | QT. | MEMO |
|-------------|-----------|------------------------------|-----|------|
| 1           | 210929A91 | UPPER LOOPER HOLDER ASSEMBLY | 1   |      |
| 2           | 211655    | LEVER/UPPER LOOPER           | 1   |      |
| 3           | 5284      | SCREW                        | 1   |      |
| 4           | 211926-T  | UPPER LOOPER HOLDER ASSEMBLY | 1   |      |
| 5           | 211654-T  | UPPER LOOPER HOLDER          | 1   |      |
| 6           | 1998-2    | SCREW                        | 1   |      |
| * 7         | 210107    | GUIDE/UPPER LOOPER HOLDER    | 1   |      |
| 8           | 204274    | OIL WICK                     | 1   |      |
| 9           | 210105-2  | PIN                          | 1   |      |
| 10          | 5292      | SCREW                        | 1   |      |
| *11         | 202174    | OIL WICK                     | 1   |      |
| 12          | 210928A91 | UPPER LOOPER HOLDER ASSEMBLY | 1   |      |
| 13          | 210104    | LEVER/UPPER LOOPER           | 1   |      |
| 14          | 5284      | SCREW                        | 1   |      |
| 15          | 211926-T  | UPPER LOOPER HOLDER ASSEMBLY | 1   |      |
| 16          | 211654-T  | UPPER LOOPER HOLDER          | 1   |      |
| 17          | 1998-2    | SCREW                        | 1   |      |
| *18         | 210107    | GUIDE/UPPER LOOPER HOLDER    | 1   |      |
| 19          | 204274    | OIL WICK                     | 1   |      |
| 20          | 210105-2  | PIN                          | 1   |      |
| 21          | 5292      | SCREW                        | 1   |      |
| *22         | 202174    | OIL WICK                     | 1   |      |

Notice) Parts with mark \* are not for sale.

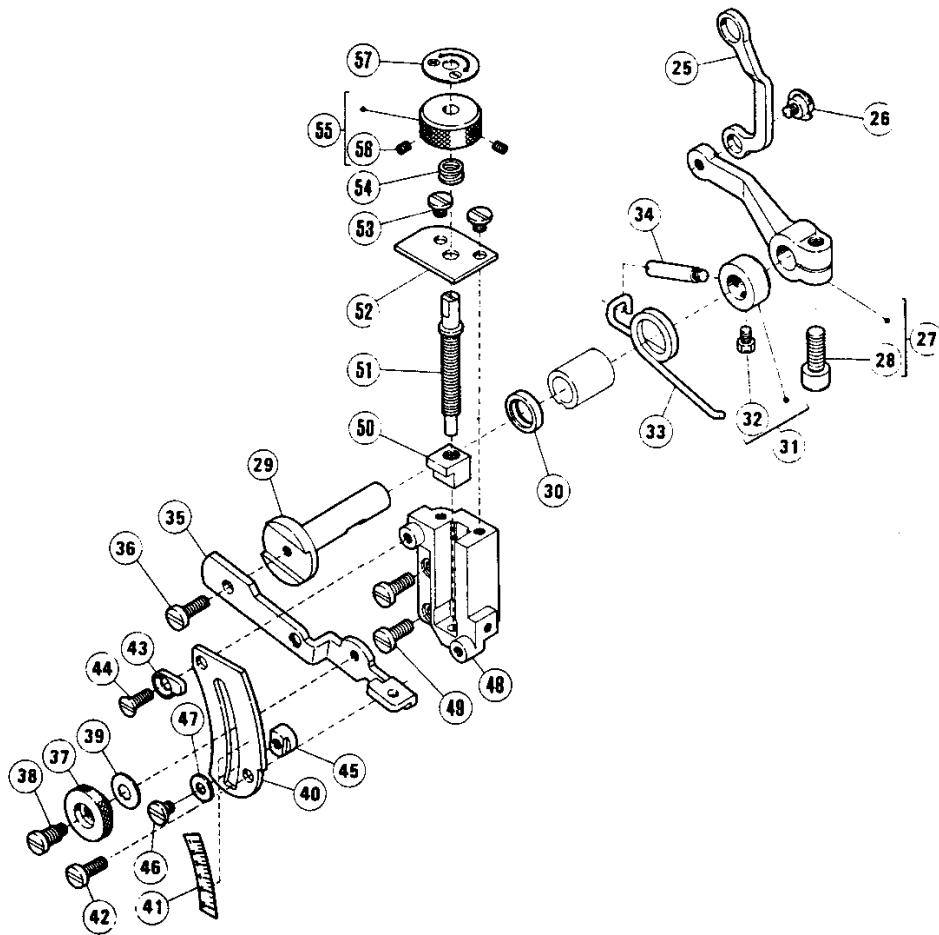
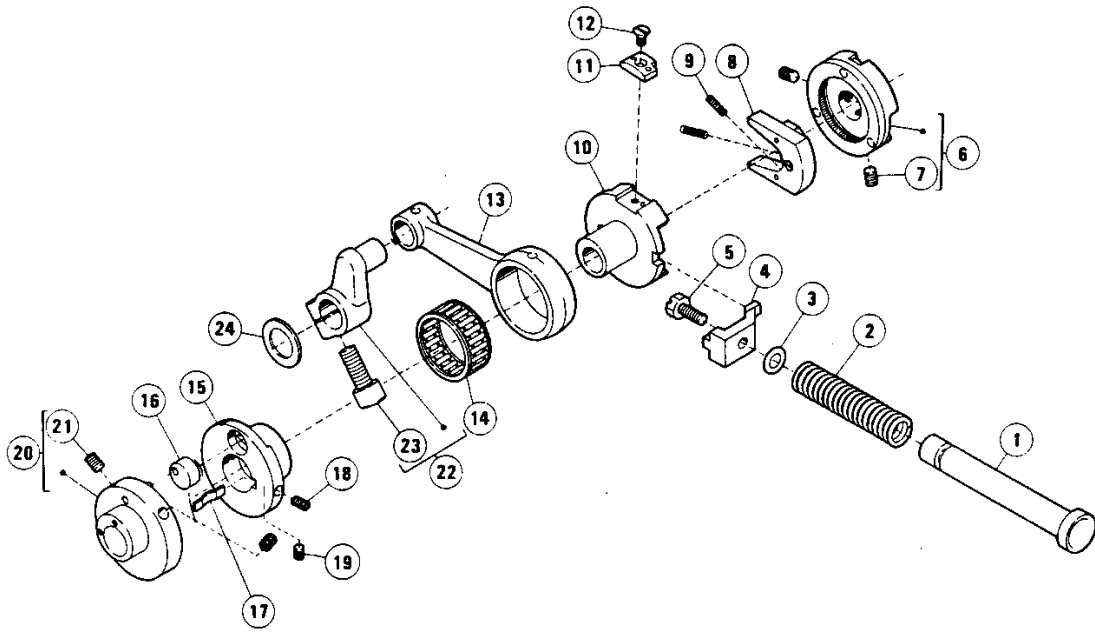




## LOWER LOOPER DRIVE MECHANISM

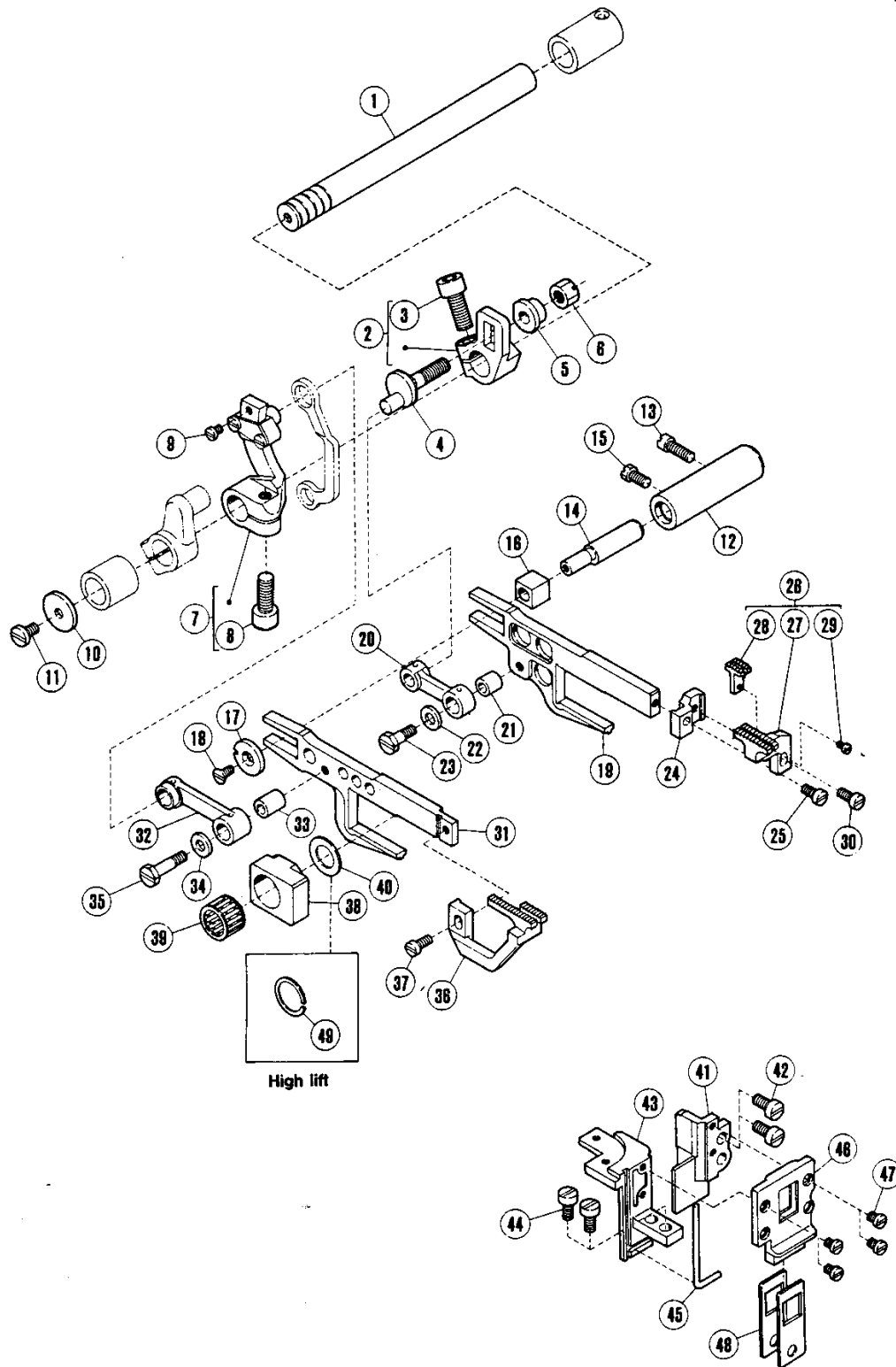
| REF.<br>NO. | PART NO.  | NAME                     | QT. | MEMO |
|-------------|-----------|--------------------------|-----|------|
| 1           | 210530-BA | THREAD TENSION COMPLETE  | 1   |      |
| 2           | 208447    | POST NUT                 | 1   |      |
| 3           | 208448    | SPRING BUSHING           | 1   |      |
| 4           | 201086    | SPRING (MEDIUM)          | 1   |      |
| 5           | 208450    | CUP                      | 1   |      |
| 6           | 210319    | TENSION DISC             | 2   |      |
| 7           | 208449    | FELT                     | 1   |      |
| 8           | 5082A     | SCREW STUD               | 1   |      |
| 9           | 201439A   | THREAD EYELET            | 1   |      |
| 10          | 204657    | PIPE                     | 1   |      |
| 11          | 201089    | THREAD GUIDE (RIGHT)     | 1   |      |
| 12          | 5519      | SCREW                    | 1   |      |
| 13          | 202875    | WASHER                   | 1   |      |
| 14          | 212727    | THREAD GUIDE             | 1   |      |
| 15          | 5441      | SCREW                    | 1   |      |
| 16          | 210123    | SHAFT/LOWER LOOPER LEVER | 1   |      |
| 17          | 204107    | WASHER                   | 1   |      |
| 18          | 2193      | SCREW                    | 1   |      |
| 19          | 202286    | SPRING WASHER            | 1   |      |
| 20          | 210122    | SPACER                   | 1   |      |
| 21          | 210092    | GUIDE/CONNECTION         | 1   |      |
| 22          | 5546      | SCREW                    | 1   |      |
| 23          | 202286    | SPRING WASHER            | 1   |      |
| 24          | 210093    | BLOCK                    | 1   |      |
| 25          | 1231      | SCREW                    | 1   |      |
| 26          | 210585    | WASHER                   | 1   |      |
| *27         | 210586    | OIL SEAL                 | 1   |      |
| 28          | 210725    | LOWER LOOPER LEVER       | 1   |      |
| 29          | 5487      | SCREW                    | 1   |      |
| 30          | XXXXXX    | LOWER LOOPER             | 1   |      |
| 31          | 1175-2    | SCREW                    | 1   |      |
| 32          | 212726    | THREAD TAKEUP            | 1   |      |
| 34          | 212502    | THREAD GUIDE             | 1   |      |
| 35          | 210353    | THREAD GUIDE             | 1   |      |
| 36          | 211401    | THREAD TAKEUP            | 1   |      |

See pages 54-75 for ××××××.



## FEED MECHANISM(1)

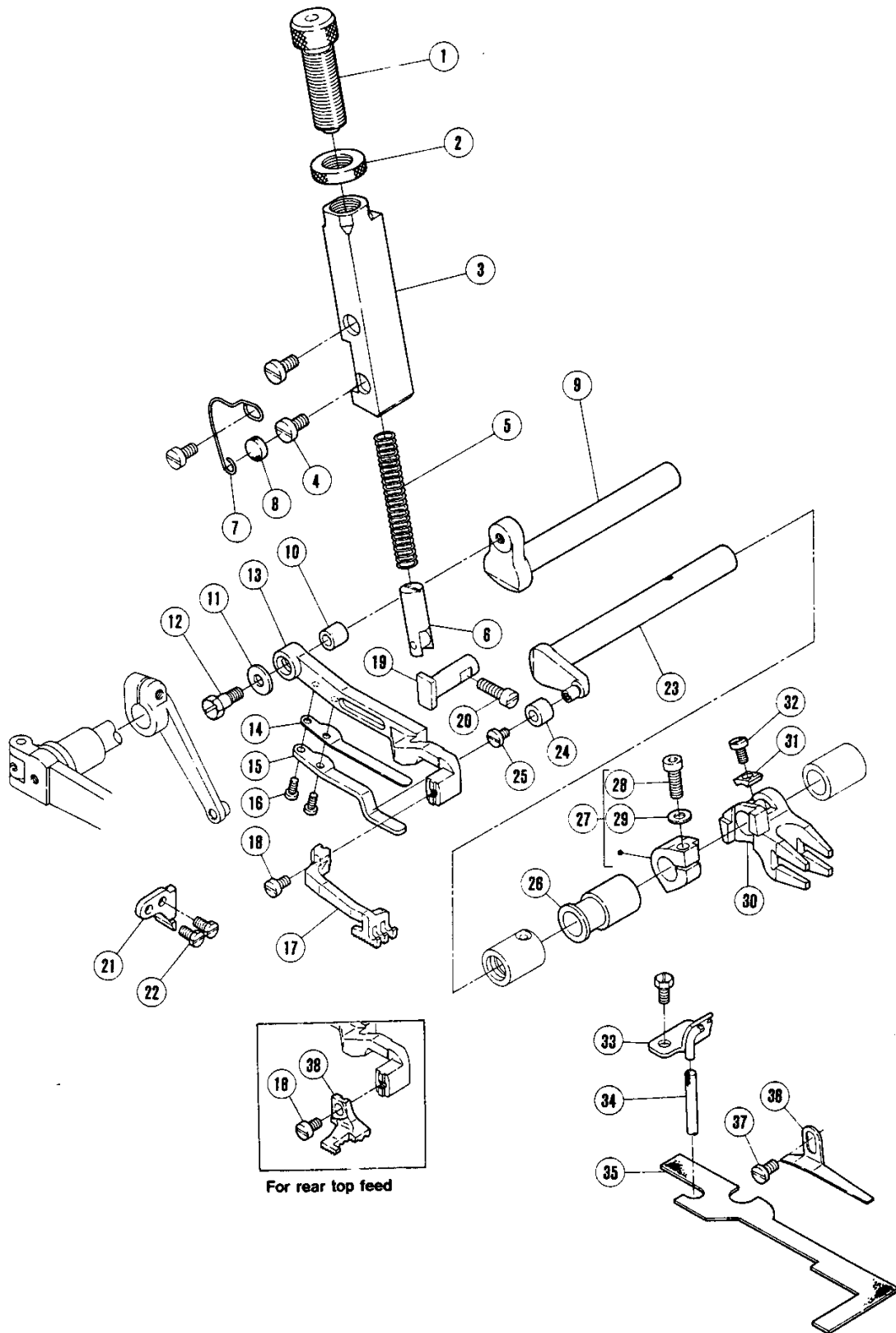
| REF. NO. | PART NO. | NAME                        | QT. | MENO |
|----------|----------|-----------------------------|-----|------|
| 1        | 210137   | PUSH BUTTON                 | 1   |      |
| 2        | 210139   | SPRING                      | 1   |      |
| 3        | 204185   | O RING                      | 1   |      |
| 4        | 210138   | STOPPER                     | 1   |      |
| 5        | 2193     | SCREW                       | 1   |      |
| 6        | 210136   | RATCHET WHEEL COMPLETE      | 1   |      |
| 7        | 5461     | SCREW                       | 2   |      |
| 8        | 208411   | FEED REGULATING RATCHET     | 1   |      |
| 9        | 208415   | SPRING                      | 2   |      |
| 10       | 211802A  | ECCENTRIC/FEED REGULATING   | 1   |      |
| 11       | 211804   | STOPPER                     | 1   |      |
| 12       | 5437     | SCREW                       | 1   |      |
| 13       | 210140   | CONNECTION/FEED DRIVE       | 1   |      |
| 14       | 204084-2 | NEEDLE BEARING              | 1   |      |
| 15       | 210127   | ECCENTRIC/FEED DRIVE        | 1   |      |
| 16       | 210129   | GUDE/FEED ECCENTRIC         | 1   |      |
| 17       | 210130   | FLAT SPRING                 | 1   |      |
| 18       | 5427     | SCREW                       | 1   |      |
| 19       | 5292     | SCREW                       | 1   |      |
| 20       | 210128A  | ECCENTRIC RETAINER          | 1   |      |
| 21       | 5461     | SCREW                       | 2   |      |
| 22       | 210141A  | CRANK/FEED DRIVE            | 1   |      |
| 23       | 5457     | SCREW                       | 1   |      |
| 24       | 208235   | WASHER                      | 1   |      |
| 25       | 210161   | LINK/DIFF. FEED REGULATING  | 1   |      |
| 26       | 5316     | SCREW                       | 1   |      |
| 27       | 210162   | LEVER/DIFF. FEED REGULATING | 1   |      |
| 28       | 5457     | SCREW                       | 1   |      |
| 29       | 210163   | SHAFT/DIFF. FEED REGULATING | 1   |      |
| 30       | 204052A  | OIL SEAL                    | 1   |      |
| 31       | 204754A  | COLLAR                      | 1   |      |
| 32       | 5084     | SCREW                       | 1   |      |
| 33       | 204756   | SPRING                      | 1   |      |
| 34       | 204757   | PIN                         | 1   |      |
| 35       | 210166   | LEVER/DIFF. FEED REGULATING | 1   |      |
| 36       | 5117     | SCREW                       | 1   |      |
| 37       | 210167   | THUMB NUT                   | 1   |      |
| 38       | 5486     | SCREW                       | 1   |      |
| 39       | 211301   | SPRING                      | 1   |      |
| 40       | 210168   | REGULATING PLATE/DIFF. FEED | 1   |      |
| 41       | 210170   | INDICATION PLATE            | 1   |      |
| 42       | 5117     | SCREW                       | 1   |      |
| 43       | 210700   | STOPPER                     | 1   |      |
| 44       | 1732     | SCREW                       | 1   |      |
| 45       | 210171   | STOPPER                     | 1   |      |
| 46       | 2905     | SCREW                       | 1   |      |
| 47       | 201185   | WASHER                      | 1   |      |
| 48       | 211314   | REGULATING BASE/DIFF. FEED  | 1   |      |
| 49       | 5118     | SCREW                       | 2   |      |
| 50       | 210535   | BLOCK/DIFF. FEED REGULATING | 1   |      |
| 51       | 210172   | REGULATING BAR/DIFF. FEED   | 1   |      |
| 52       | 210534   | GUIDE/DIFF. FEED REG. BAR   | 1   |      |
| 53       | 5091     | SCREW                       | 2   |      |
| 54       | 210533   | SPRING                      | 1   |      |
| 55       | 210532   | THUMB NUT                   | 1   |      |
| 56       | 5292     | SCREW                       | 2   |      |
| 57       | 212179   | MARK                        | 1   |      |



## FEED MECHANISM(2)

| REF. NO. | PART NO. | NAME                      | QT. | MEMO |
|----------|----------|---------------------------|-----|------|
| 1        | 212028   | FEED SHAFT                | 1   |      |
| 2        | 210144   | CRANK/MAIN FEED           | 1   |      |
| 3        | 5457     | SCREW                     | 1   |      |
| 4        | 210145   | PIN                       | 1   |      |
| 5        | 210146   | WASHER                    | 1   |      |
| 6        | 5455     | NUT                       | 1   |      |
| 7        | 210152   | CRANK COMPLETE/DIFF. FEED | 1   |      |
| 8        | 5457     | SCREW                     | 1   |      |
| 9        | 5346     | SCREW                     | 1   |      |
| 10       | 210100   | WASHER                    | 1   |      |
| 11       | 4009-1   | SCREW                     | 1   |      |
| 12       | 204129A  | BUSHING                   | 1   |      |
| 13       | 2133-1   | SCREW                     | 1   |      |
| 14       | 204128A  | PIN                       | 1   |      |
| 15       | 5084     | SCREW                     | 1   |      |
| 16       | 205418   | BLOCK/FEED BAR GUIDE      | 1   |      |
| 17       | 204439A  | WASHER                    | 1   |      |
| 18       | 5317     | SCREW                     | 1   |      |
| 19       | 210154   | MAIN FEED BAR             | 1   |      |
| 20       | 210147   | LINK/MAIN FEED            | 1   |      |
| 21       | 210148   | BUSHING                   | 1   |      |
| 22       | 204115   | WASHER                    | 1   |      |
| 23       | 5489     | SCREW                     | 1   |      |
| 24       | 210343   | BRACKET/MAIN FEED DOG     | 1   |      |
| 25       | 1175-2   | SCREW                     | 1   |      |
| 26       | XXXXXX   | MAIN FEED DOG COMPLETE    | 1   |      |
| 27       | XXXXXX   | MAIN FEED DOG             | 1   |      |
| 28       | XXXXXX   | AUXILIARY FEED DOG        | 1   |      |
| 29       | 5492     | SCREW                     | 1   |      |
| 30       | 1175-2   | SCREW                     | 1   |      |
| 31       | 210155   | DIFFERENTIAL FEED BAR     | 1   |      |
| 32       | 210153   | LINK/DIFFERENTIAL FEED    | 1   |      |
| 33       | 204114   | BUSHING                   | 1   |      |
| 34       | 204115   | WASHER                    | 1   |      |
| 35       | 5231     | SCREW                     | 1   |      |
| 36       | XXXXXX   | DIFFERENTIAL FEED DOG     | 1   |      |
| 37       | 1175-2   | SCREW                     | 1   |      |
| 38       | 210156   | BLOCK                     | 1   |      |
| 39       | 206128-2 | NEEDLE BEARING            | 1   |      |
| 40       | 208235   | WASHER                    | 1   |      |
| 41       | 210157   | GUIDE (RIGHT)/FEED BAR    | 1   |      |
| 42       | 5205     | SCREW                     | 2   |      |
| 43       | 210158   | GUIDE (LEFT)/FEED BAR     | 1   |      |
| 44       | 2902     | SCREW                     | 2   |      |
| 45       | 208168   | GASKET                    | 1   |      |
| 46       | 210160   | GUIDE/FEED BAR OIL SEAL   | 1   |      |
| 47       | 5346     | SCREW                     | 4   |      |
| 48       | 210159   | OIL SEAL                  | 2   |      |
| 49       | 206129   | RING                      | 1   |      |

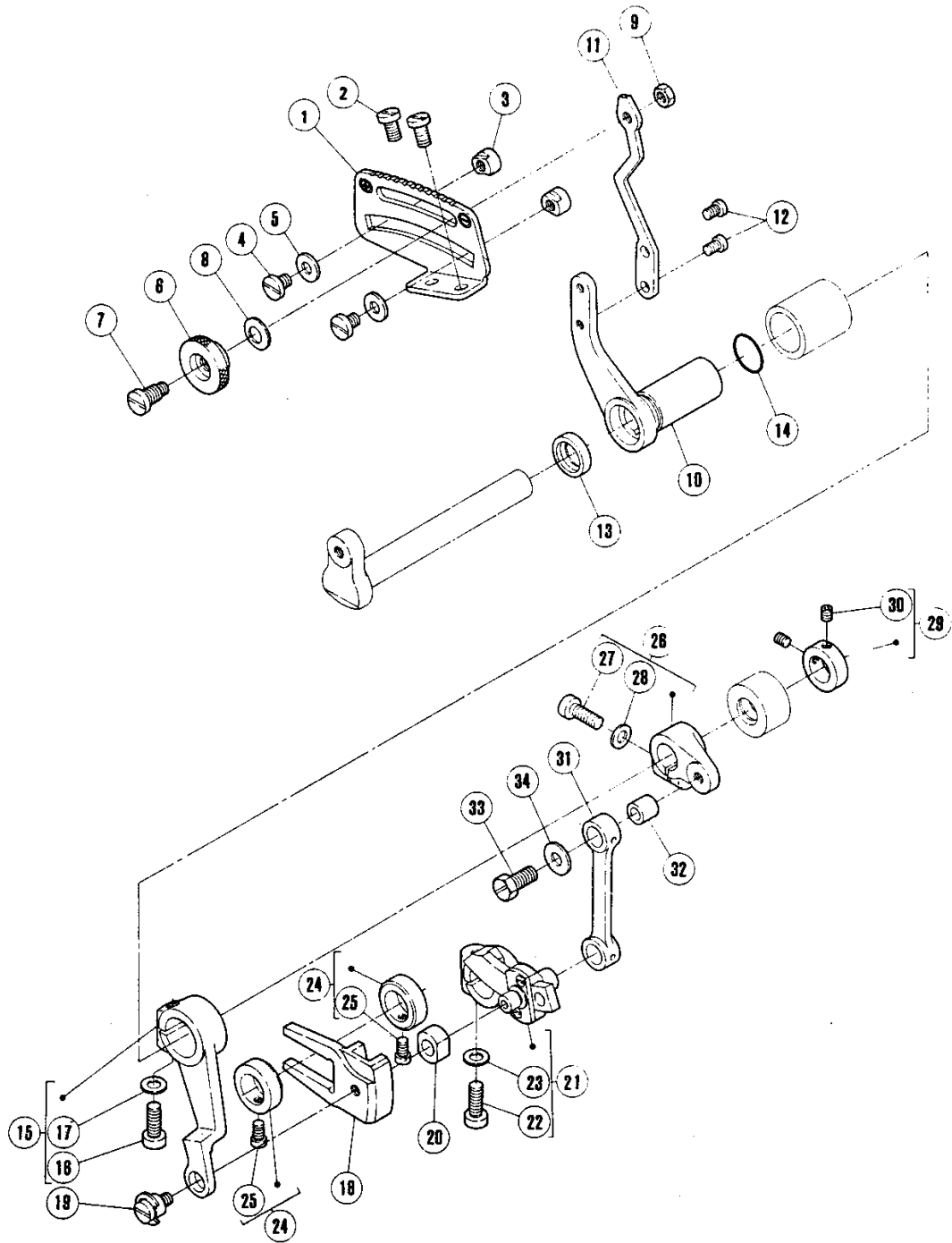
See pages 54~75 for XXXXXX.



## TOP FEED MECHANISM(1)

| REF.<br>NO. | PART NO. | NAME                 | QT. | MEMO |
|-------------|----------|----------------------|-----|------|
| 1           | 212440   | THUMB SCREW          | 1   |      |
| 2           | 210328   | ADJUSTING SCREW NUT  | 1   |      |
| 3           | 212025   | PRESSER BAR GUIDE    | 1   |      |
| 4           | 5117     | SCREW                | 2   |      |
| 5           | 212026   | SPRING               | 1   |      |
| 6           | 212021   | PRESSER BAR COMPLETE | 1   |      |
| 7           | 212145   | SPRING               | 1   |      |
| 8           | 212144   | FELT                 | 1   |      |
| 9           | 212036   | SHAFT                | 1   |      |
| 10          | 210148   | BUSHING              | 1   |      |
| 11          | 204115   | WASHER               | 1   |      |
| 12          | 5489     | SCREW                | 1   |      |
| 13          | 212400   | TOP FEED BAR         | 1   |      |
| 14          | 212448   | PLATE (UPPER)        | 1   |      |
| 15          | 212449   | PLATE (LOWER)        | 1   |      |
| 16          | 5492     | SCREW                | 2   |      |
| 17          | XXXXXX   | TOP FEED DOG         | 1   |      |
| 18          | 1175-2   | SCREW                | 1   |      |
| 19          | 212019   | GUIDE (RIGHT)        | 1   |      |
| 20          | 2133-1   | SCREW                | 1   |      |
| 21          | 212020   | GUIDE (LEFT)         | 1   |      |
| 22          | 5238     | SCREW                | 2   |      |
| 23          | 212404   | ROD                  | 1   |      |
| 24          | 212015   | ROLLER               | 1   |      |
| 25          | 5597     | SCREW                | 1   |      |
| 26          | 212405   | SPACER               | 1   |      |
| 27          | 212447   | LATCH                | 1   |      |
| 28          | 5568     | SCREW                | 1   |      |
| 29          | 307003   | WASHER               | 1   |      |
| 30          | 212445   | CRANK                | 1   |      |
| 31          | 212446   | CRANK GUIDE          | 1   |      |
| 32          | 5089     | SCREW                | 1   |      |
| 33          | 212140   | OIL PIPE ASSEMBLY    | 1   |      |
| 34          | 212143   | FELT                 | 1   |      |
| 35          | 212146   | FELT                 | 1   |      |
| 36          | 212147   | FELT RETAINER        | 1   |      |
| 37          | 2905     | SCREW                | 1   |      |
| 38          | XXXXXX   | TOP FEED DOG         | 1   |      |

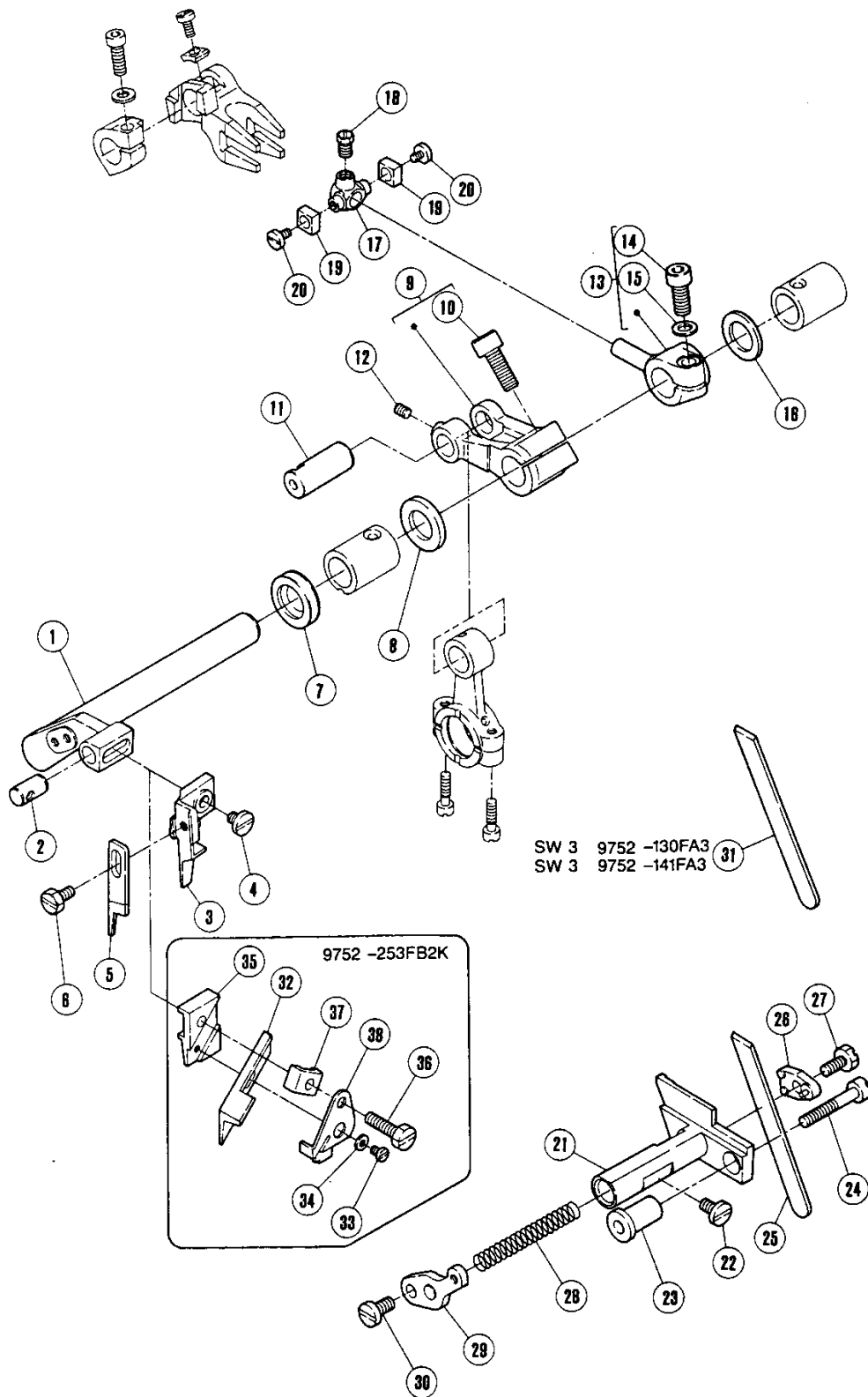
See pages 54~75 for XXXXXX.





## TOP FEED MECHANISM(2)

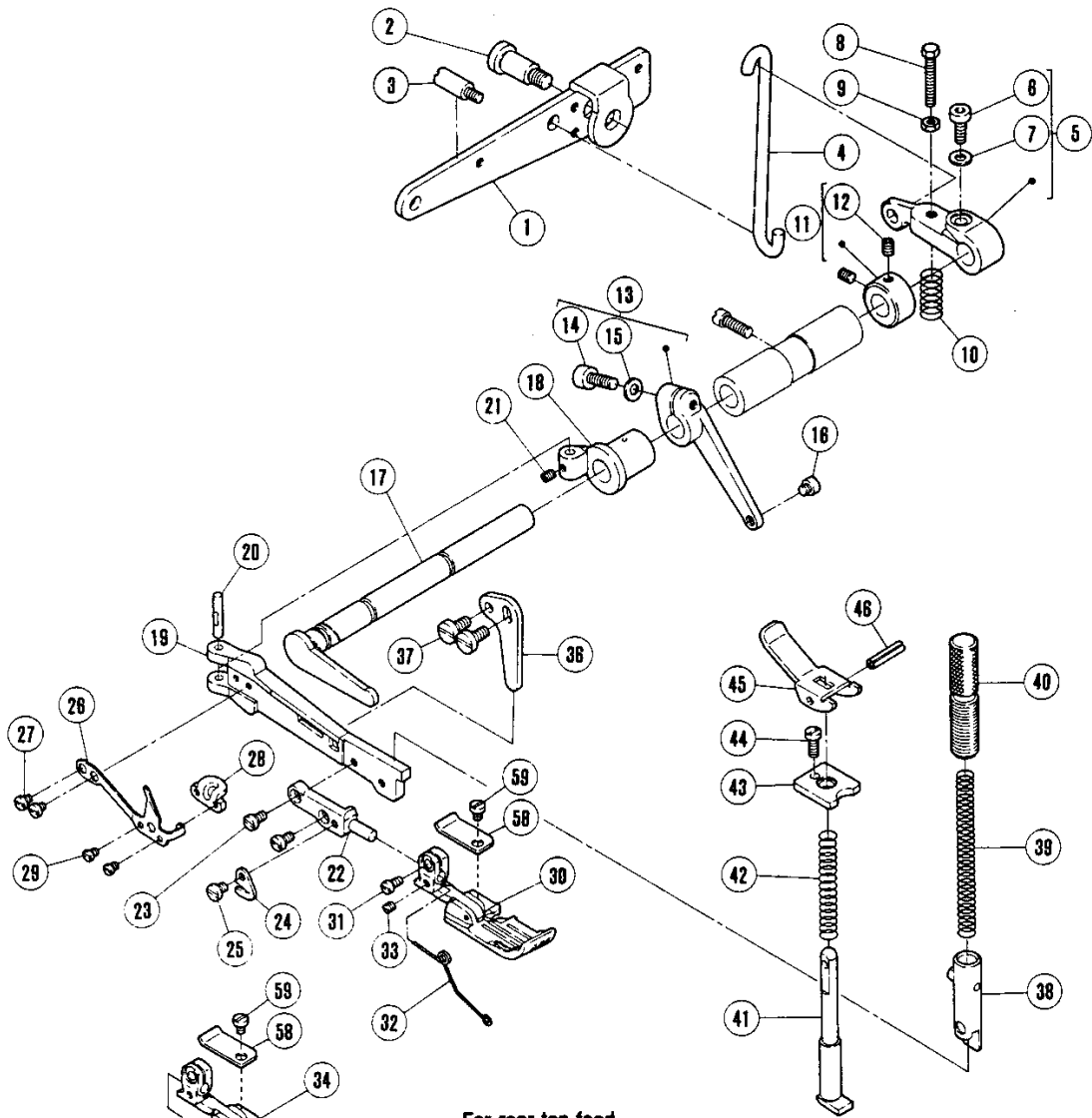
| REF.<br>NO. | PART NO. | NAME           | QT. | MEMO |
|-------------|----------|----------------|-----|------|
| 1           | 212416   | BLADE GUIDE    | 1   |      |
| 2           | 5117     | SCREW          | 2   |      |
| 3           | 210171   | STOPPER        | 2   |      |
| 4           | 2905     | SCREW          | 2   |      |
| 5           | 201185   | WASHER         | 2   |      |
| 6           | 210167   | THUMB NUT      | 1   |      |
| 7           | 5486     | SCREW          | 1   |      |
| 8           | 211301   | SPRING         | 1   |      |
| 9           | 3044     | NUT            | 1   |      |
| 10          | 212042   | LEVER          | 1   |      |
| 11          | 212419   | LEVER          | 1   |      |
| 12          | 5053     | SCREW          | 2   |      |
| 13          | 204052A  | OIL SEAL       | 1   |      |
| 14          | 201022   | O RING         | 1   |      |
| 15          | 212652   | LEVER          | 1   |      |
| 16          | 5594     | SCREW          | 1   |      |
| 17          | 307003   | WASHER         | 1   |      |
| 18          | 212651   | GUIDE/BLOCK    | 1   |      |
| 19          | 5316     | SCREW          | 1   |      |
| 20          | 252531   | BLOCK          | 1   |      |
| 21          | 212646   | CRANK ASSEMBLY | 1   |      |
| 22          | 5594     | SCREW          | 1   |      |
| 23          | 307003   | WASHER         | 1   |      |
| 24          | 212653   | COLLAR         | 2   |      |
| 25          | 1998-2   | SCREW          | 2   |      |
| 26          | 212035   | CRANK          | 1   |      |
| 27          | 5594     | SCREW          | 1   |      |
| 28          | 307003   | WASHER         | 1   |      |
| 29          | 212039   | COLLAR         | 1   |      |
| 30          | 5292     | SCREW          | 2   |      |
| 31          | 212650   | LINK           | 1   |      |
| 32          | 210148   | BUSHING        | 1   |      |
| 33          | 5489     | SCREW          | 1   |      |
| 34          | 204115   | WASHER         | 1   |      |



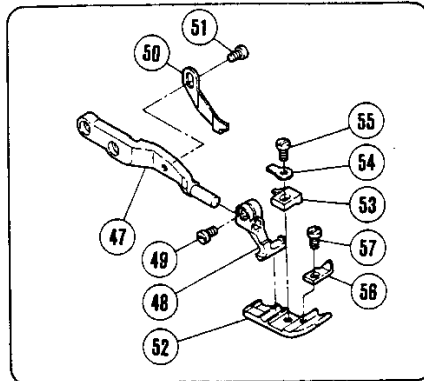
SW - SEAM WIDTH

## KNIFE DRIVE MECHANISM

| REF. NO. | PART NO. | NAME                     | QT. | MEMO |
|----------|----------|--------------------------|-----|------|
| 1        | 213222A  | UPPER KNIFE LEVER        | 1   |      |
| 2        | 208579   | PIN                      | 1   |      |
| 3        | 210178A  | UPPER KNIFE CLAMP        | 1   |      |
| 4        | 2902     | SCREW                    | 1   |      |
| * 5      | 201121A  | UPPER KNIFE              | 1   |      |
| 6        | 5088     | SCREW                    | 1   |      |
| 7        | 210069   | OIL SEAL                 | 1   |      |
| 8        | 206180   | WASHER                   | 1   |      |
| 9        | 210314   | CRANK/UPPER KNIFE DRIVE  | 1   |      |
| 10       | 5457     | SCREW                    | 1   |      |
| 11       | 210175   | PIN                      | 1   |      |
| 12       | 5461     | SCREW                    | 1   |      |
| 13       | 212408   | CRANK                    | 1   |      |
| 14       | 5594     | SCREW                    | 1   |      |
| 15       | 307003   | WASHER                   | 1   |      |
| 16       | 208235   | WASHER                   | 1   |      |
| 17       | 212409   | PIN                      | 1   |      |
| 18       | 5084     | SCREW                    | 1   |      |
| 19       | 212410   | BLOCK                    | 2   |      |
| 20       | 5597     | SCREW                    | 2   |      |
| 21       | 210179   | LOWER KNIFE HOLDER       | 1   |      |
| 22       | 4009-1   | SCREW                    | 1   |      |
| 23       | 210180   | GUIDE/LOWER KNIFE HOLDER | 1   |      |
| 24       | 5094     | SCREW                    | 1   |      |
| 25       | 202295   | LOWER KNIFE/THICK        | 1   |      |
| 26       | 210184   | CLAMP/LOWER KNIFE        | 1   |      |
| 27       | 2193     | SCREW                    | 1   |      |
| 28       | 202340   | SPRING                   | 1   |      |
| 29       | 210183   | SPRING RETAINER          | 1   |      |
| 30       | 5117     | SCREW                    | 1   |      |
| *31      | 201127   | LOWER KNIFE/THIN         | 1   |      |
| 32       | 211771   | ANGLED KNIFE             | 1   |      |
| 33       | 1227     | SCREW                    | 1   |      |
| 34       | 300248   | WASHER                   | 1   |      |
| 35       | 210756   | ANGLED UPPER KNIFE CLAMP | 1   |      |
| 36       | 5504     | SCREW                    | 1   |      |
| 37       | 210758   | ANGLED UPPER KNIFE GIB   | 1   |      |
| 38       | 210759   | ANGLED UPPER KNIFE PLATE | 1   |      |



For rear top feed



## PRESSER FOOT MECHANISM

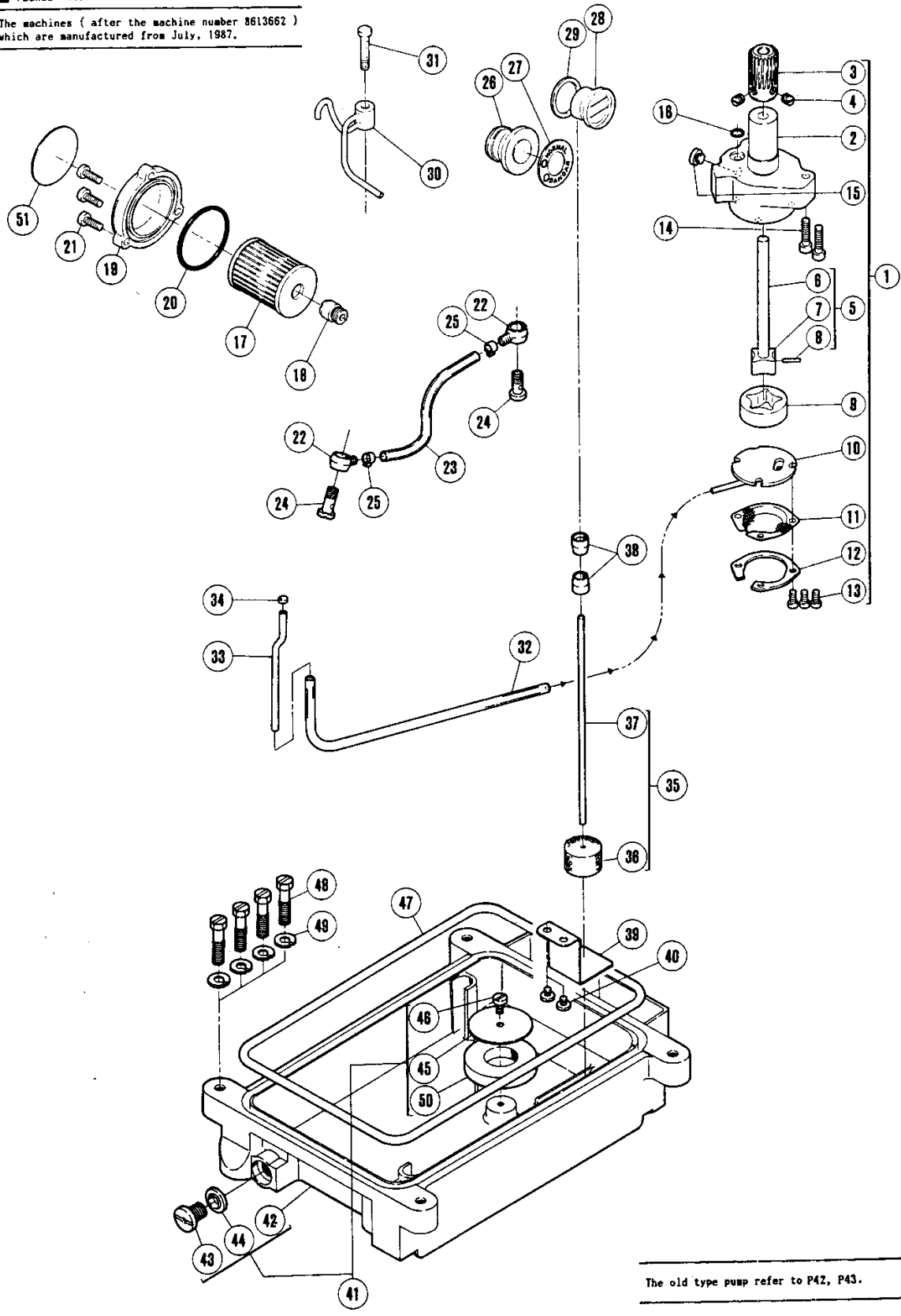
| REF. NO. | PART NO. | NAME                   | QT. | MEMO |
|----------|----------|------------------------|-----|------|
| 1        | 211636   | LEVER/FOOT LIFT        | 1   |      |
| 2        | 2285B    | SCREW                  | 1   |      |
| 3        | 5481     | SCREW                  | 1   |      |
| 4        | 210335   | LINK/FOOT LIFT LEVER   | 1   |      |
| 5        | 212050   | LEVER/FOOT LIFT        | 1   |      |
| 6        | 5457     | SCREW                  | 1   |      |
| 7        | 207924   | WASHER                 | 1   |      |
| 8        | 5503     | SCREW                  | 1   |      |
| 9        | 3044     | NUT                    | 1   |      |
| 10       | 240172   | SPRING                 | 1   |      |
| 11       | 210728   | COLLAR                 | 1   |      |
| 12       | 5292     | SCREW                  | 2   |      |
| 13       | 212052   | LEVER/FOOT LIFT        | 1   |      |
| 14       | 5594     | SCREW                  | 1   |      |
| 15       | 307003   | WASHER                 | 1   |      |
| 16       | 5596     | SCREW                  | 1   |      |
| 17       | 212047   | SHAFT/FOOT LIFT        | 1   |      |
| 18       | 212049   | HINGE/PRESSER ARM      | 1   |      |
| 19       | 211823   | PRESSER ARM            | 1   |      |
| 20       | 210323   | PIN                    | 1   |      |
| 21       | 5292     | SCREW                  | 1   |      |
| 22       | 212420   | BRACKET/PRESSER FOOT   | 1   |      |
| 23       | 5089     | SCREW                  | 2   |      |
| 24       | 202451   | CHAIN CUTTER           | 1   |      |
| 25       | 2921     | SCREW                  | 1   |      |
| 26       | 212438   | FLAT SPRING            | 1   |      |
| 27       | 5299     | SCREW                  | 2   |      |
| 28       | 212439   | GUIDE                  | 1   |      |
| 29       | 5030     | SCREW                  | 2   |      |
| 30       | XXXXXX   | PRESSER FOOT           | 1   |      |
| 31       | 5328     | SCREW                  | 1   |      |
| 32       | 212669A  | SPRING                 | 1   |      |
| 33       | 1459     | SCREW                  | 1   |      |
| 34       | XXXXXX   | PRESSER FOOT           | 1   |      |
| 35       | 212719A  | SPRING                 | 1   |      |
| 36       | 210517   | STOPPER/PRESSER ARM    | 1   |      |
| 37       | 5117     | SCREW                  | 1   |      |
| 38       | 208537   | PRESSER BAR COMPLETE   | 1   |      |
| *39      | 211941   | SPRING                 | 1   |      |
| 40       | 208774   | THUMB SCREW            | 1   |      |
| 41       | 202645   | PLUNGER                | 1   |      |
| 42       | 201395   | SPRING                 | 1   |      |
| 43       | 208599   | BUSHING                | 1   |      |
| 44       | 5029     | SCREW                  | 1   |      |
| 45       | 211657   | LEVER/HAND LIFT        | 1   |      |
| 46       | 202647A  | PIN                    | 1   |      |
| 47       | 212705   | BRACKET/PRESSER FOOT   | 1   |      |
| 48       | 208525-B | BRACKET/PRESSER FOOT   | 1   |      |
| 49       | 5328     | SCREW                  | 1   |      |
| 50       | 212069   | STOPPER                | 1   |      |
| 51       | 2921     | SCREW                  | 1   |      |
| 52       | XXXXXX   | PRESSER FOOT           | 1   |      |
| 53       | XXXXXX   | PRESSER FOOT FINGER    | 1   |      |
| 54       | 201156   | SET PLATE/PRESSER FOOT | 1   |      |
| 55       | 5089     | SCREW                  | 1   |      |
| 56       | 211557   | FABRIC GUARD           | 1   |      |
| 57       | 1333     | SCREW                  | 1   |      |
| 58       | 212668   | EUXILIARY PLATE        | 1   |      |
| 59       | 5030     | SCREW                  | 1   |      |

Notice) Parts with mark \* are not for sale.

See pages 54~75 for XXXXXX.

■ PLEASE NOTE:

The machines ( after the machine number 8613662 )  
which are manufactured from July, 1987.

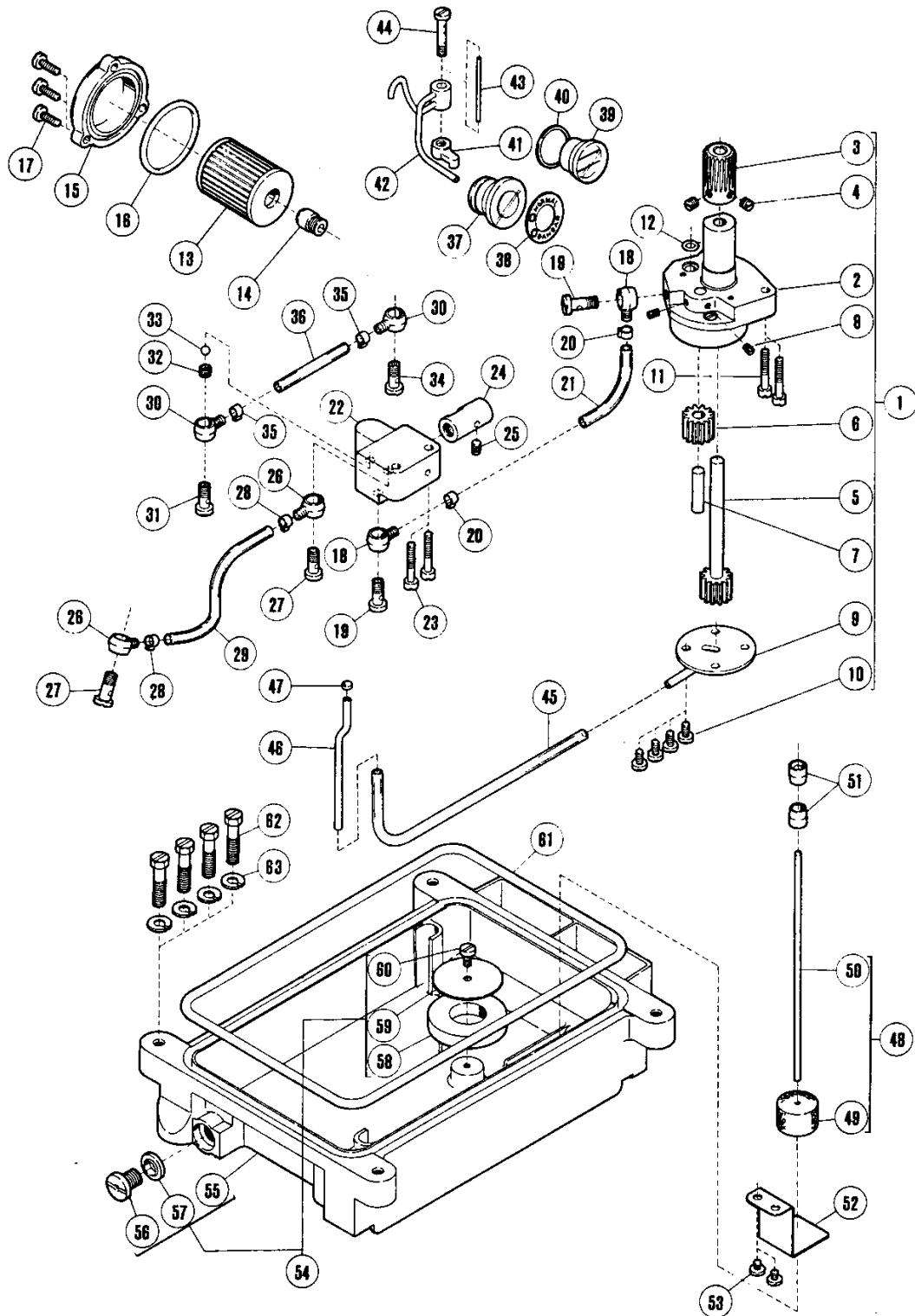


The old type pump refer to P42, P43.

## LUBRICATING MECHANISM

| REF. NO. | PART NO.  | NAME                   | QT. | MEMO |
|----------|-----------|------------------------|-----|------|
| 1        | 212972A91 | TROCHOID PUMP ASSEMBLY | 1   |      |
| * 2      | 212976    | TROCHOID PUMP          | 1   |      |
| 3        | 211531    | WORM WHEEL             | 1   |      |
| 4        | 5060      | SCREW                  | 2   |      |
| 5        | 212978-91 | ROTOR (INSIDE) SHAFT   | 1   |      |
| * 6      | 212979    | SHAFT                  | 1   |      |
| * 7      | 212980    | ROTOR (INSIDE)         | 1   |      |
| * 8      | 206468    | PIN                    | 1   |      |
| 9        | 212981    | ROTOR (OUTSIDE)        | 1   |      |
| 10       | 212983-91 | PLATE                  | 1   |      |
| 11       | 213578A   | FILTER                 | 1   |      |
| 12       | 213579    | GUIDE                  | 1   |      |
| 13       | 1175-2    | SCREW                  | 3   |      |
| 14       | 5095      | SCREW                  | 2   |      |
| 15       | 5145      | SCREW                  | 1   |      |
| 16       | 204185    | O RING                 | 1   |      |
| 17       | 206233    | OIL FILTER             | 1   |      |
| 18       | 210200    | BRACKET/OIL FILTER     | 1   |      |
| 19       | 210201-CD | OIL FILTER CAP         | 1   |      |
| 20       | 206431    | O RING                 | 1   |      |
| 21       | 5118      | SCREW                  | 3   |      |
| 22       | 200136    | JOINT                  | 2   |      |
| 23       | 205113A   | OIL TUBE               | 1   |      |
| 24       | 200152    | JOINT SCREW            | 2   |      |
| 25       | 202199    | CLAMP                  | 2   |      |
| 26       | 210198    | OIL MONITOR COMPLETE   | 1   |      |
| 27       | 210199    | NAME PLATE/OIL MONITOR | 1   |      |
| 28       | 210190    | OIL SIGHT GAUGE        | 1   |      |
| 29       | 211369    | WASHER                 | 1   |      |
| 30       | 212188    | OIL DISTRIBUTOR        | 1   |      |
| 31       | 212998    | JOINT SCREW            | 1   |      |
| 32       | 212152    | TUBE                   | 1   |      |
| 33       | 212153    | PIPE                   | 1   |      |
| 34       | 303487    | FELT                   | 1   |      |
| 35       | 210193    | INDICATOR COMPLETE     | 1   |      |
| *36      | 179257-05 | FLOAT                  | 1   |      |
| *37      | 210192    | INDICATOR              | 1   |      |
| 38       | 210194    | INDICATOR GUIDE        | 2   |      |
| *39      | 210510    | INDICATOR SUPPORT      | 1   |      |
| 40       | 2905      | SCREW                  | 2   |      |
| 41       | 212634    | OIL RESERVOIR COMPLETE | 1   |      |
| 42       | 210211    | OIL RESERVOIR          | 1   |      |
| 43       | 5138B     | SCREW                  | 1   |      |
| 44       | 202287A   | GASKET                 | 1   |      |
| 45       | 210521    | MAGNET BRACKET         | 1   |      |
| 46       | 5117      | SCREW                  | 1   |      |
| 47       | 210212    | O RING                 | 1   |      |
| 48       | 5113      | SCREW                  | 4   |      |
| 49       | 202045    | SPRING WASHER          | 4   |      |
| 50       | 210520    | MAGNET                 | 1   |      |
| 51       | 9A3002    | FILTER SEAL            | 1   |      |

Notice) Parts with mark \* are not for sale.

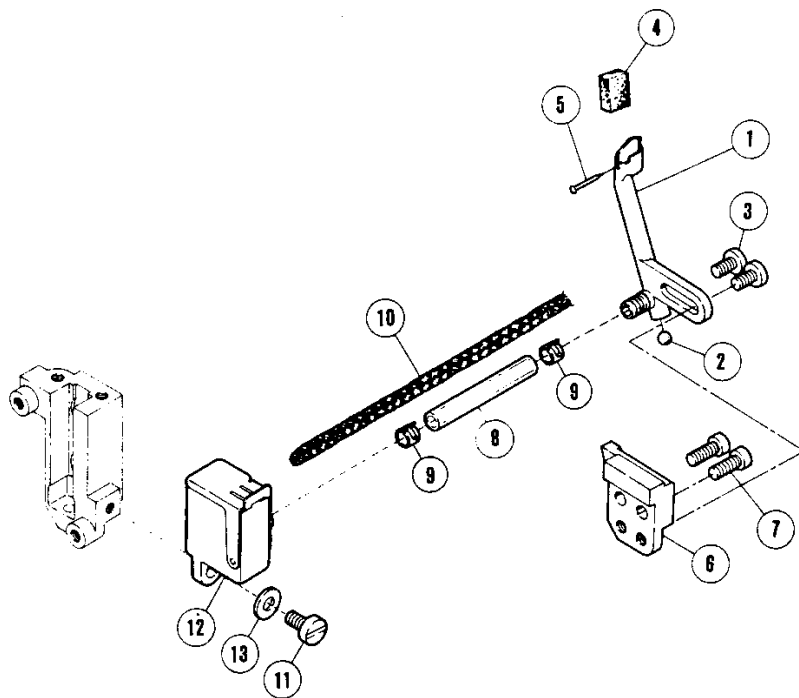




## LUBRICATING MECHANISM (OLD TYPE)

| REF. NO. | PART NO.  | NAME                   | QT. | MEMO |
|----------|-----------|------------------------|-----|------|
| 1        | 212148    | OIL PUMP ASSEMBLY      | 1   |      |
| * 2      | 210188    | GEAR PUMP              | 1   |      |
| 3        | 211531    | WORN WHEEL             | 1   |      |
| 4        | 5060      | SCREW                  | 2   |      |
| 5        | 208687    | GEAR                   | 1   |      |
| 6        | 201295    | GEAR                   | 1   |      |
| 7        | 204184    | GEAR SHAFT             | 1   |      |
| 8        | 1458      | SCREW                  | 2   |      |
| * 9      | 212149    | CASING PLATE           | 1   |      |
| 10       | 5117      | SCREW                  | 4   |      |
| 11       | 5095      | SCREW                  | 2   |      |
| 12       | 204185    | O RING                 | 1   |      |
| 13       | 206233    | OIL FILTER             | 1   |      |
| 14       | 210200    | BRACKET/OIL FILTER     | 1   |      |
| 15       | 210201-FD | OIL FILTER CAP         | 1   |      |
| 16       | 206431    | O RING                 | 1   |      |
| 17       | 5118      | SCREW                  | 3   |      |
| 18       | 200136    | JOINT                  | 2   |      |
| 19       | 200152    | JOINT SCREW            | 2   |      |
| 20       | 202199    | CLAMP                  | 2   |      |
| 21       | 210701    | OIL TUBE               | 1   |      |
| 22       | 210206    | BY-PASS BLOCK          | 1   |      |
| 23       | 5095      | SCREW                  | 2   |      |
| 24       | 205635    | BY-PASS VALVE ASSEMBLY | 1   |      |
| 25       | 1458      | SCREW                  | 1   |      |
| 26       | 200136    | JOINT                  | 2   |      |
| 27       | 200152    | JOINT SCREW            | 2   |      |
| 28       | 202199    | CLAMP                  | 2   |      |
| 29       | 205763    | OIL TUBE               | 1   |      |
| 30       | 200136    | JOINT                  | 2   |      |
| 31       | 200152    | JOINT SCREW            | 1   |      |
| 32       | 210744    | POST                   | 1   |      |
| 33       | 200144    | BALL                   | 1   |      |
| 34       | 200152    | JOINT SCREW            | 1   |      |
| 35       | 202199    | CLAMP                  | 2   |      |
| 36       | 210208    | TUBE                   | 1   |      |
| 37       | 210198    | OIL MONITOR COMPLETE   | 1   |      |
| 38       | 210199    | NAME PLATE/OIL MONITOR | 1   |      |
| 39       | 210190    | OIL SIGHT GAUGE        | 1   |      |
| 40       | 211369    | WASHER                 | 1   |      |
| 41       | 210202    | LUBRICATION BLOCK      | 1   |      |
| 42       | 212188    | OIL DISTRIBUTOR        | 2   |      |
| 43       | 210205    | PIN                    | 1   |      |
| 44       | 210204    | JOINT SCREW            | 1   |      |
| 45       | 212152    | TUBE                   | 1   |      |
| 46       | 212153    | PIPE                   | 1   |      |
| 47       | 303487    | FELT                   | 1   |      |
| 48       | 210193    | INDICATOR COMPLETE     | 1   |      |
| *49      | 210191    | FLOAT                  | 1   |      |
| *50      | 210192    | INDICATOR              | 1   |      |
| 51       | 210194    | INDICATOR GUIDE        | 2   |      |
| *52      | 210510    | INDICATOR SUPPORT      | 1   |      |
| 53       | 2905      | SCREW                  | 2   |      |
| 54       | 212634    | OIL RESERVOIR COMPLETE | 1   |      |
| 55       | 210211    | OIL RESERVOIR          | 1   |      |
| 56       | 5138B     | SCREW                  | 1   |      |
| 57       | 202287A   | GASKET                 | 1   |      |
| 58       | 210520    | MAGNET                 | 1   |      |
| 59       | 210521    | MAGNET BRACKET         | 1   |      |
| 60       | 5117      | SCREW                  | 1   |      |
| 61       | 210212    | O RING                 | 1   |      |
| 62       | 5113      | SCREW                  | 4   |      |
| 63       | 202045    | SPRING WASHER          | 4   |      |

Notice) Parts with mark \* are not for sale.

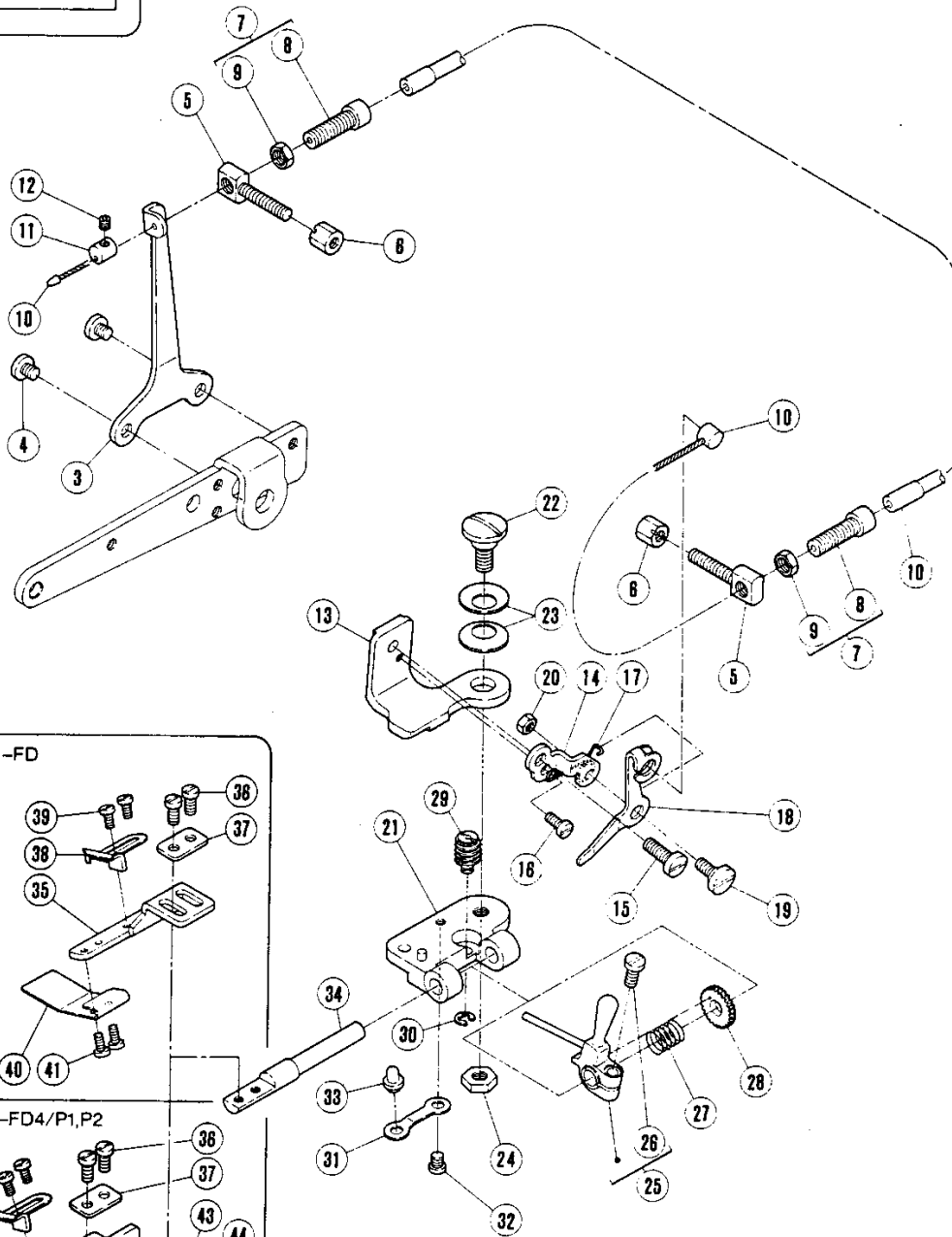


## H.R. DEVICE

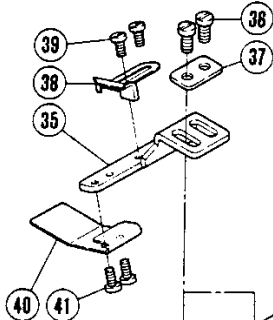
| REF.<br>NO. | PART NO. | NAME                           | QT. | MEMO |
|-------------|----------|--------------------------------|-----|------|
| 1           | 210213   | NEEDLE COOLER                  | 1   |      |
| 2           | 210214   | PLUG                           | 1   |      |
| 3           | 5091     | SCREW                          | 2   |      |
| 4           | 204466   | OIL WICK                       | 1   |      |
| * 5         | 210766   | PIN                            | 1   |      |
| 6           | 210215   | BRACKET/NEEDLE COOLER          | 1   |      |
| 7           | 5012     | SCREW                          | 2   |      |
| 8           | 211639   | OIL TUBE                       | 1   |      |
| 9           | 200155   | TUBE CLAMP                     | 2   |      |
| *10         | 202176   | OIL WICK                       | 1   |      |
| 11          | 210539   | SILICONE OIL RESERVOIR (LOWER) | 1   |      |
| 12          | 5345     | SCREW                          | 1   |      |
| 13          | 201185   | WASHER                         | 1   |      |

Notice) Parts with mark \* are not for sale.

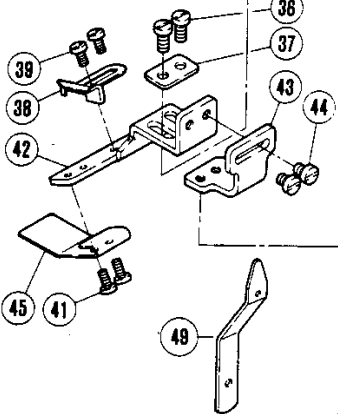
- 1 9752 -FD
- 2 9752 -FD4/P1,P2



9752 -FD



9752 -FD4/P1,P2



Tape width

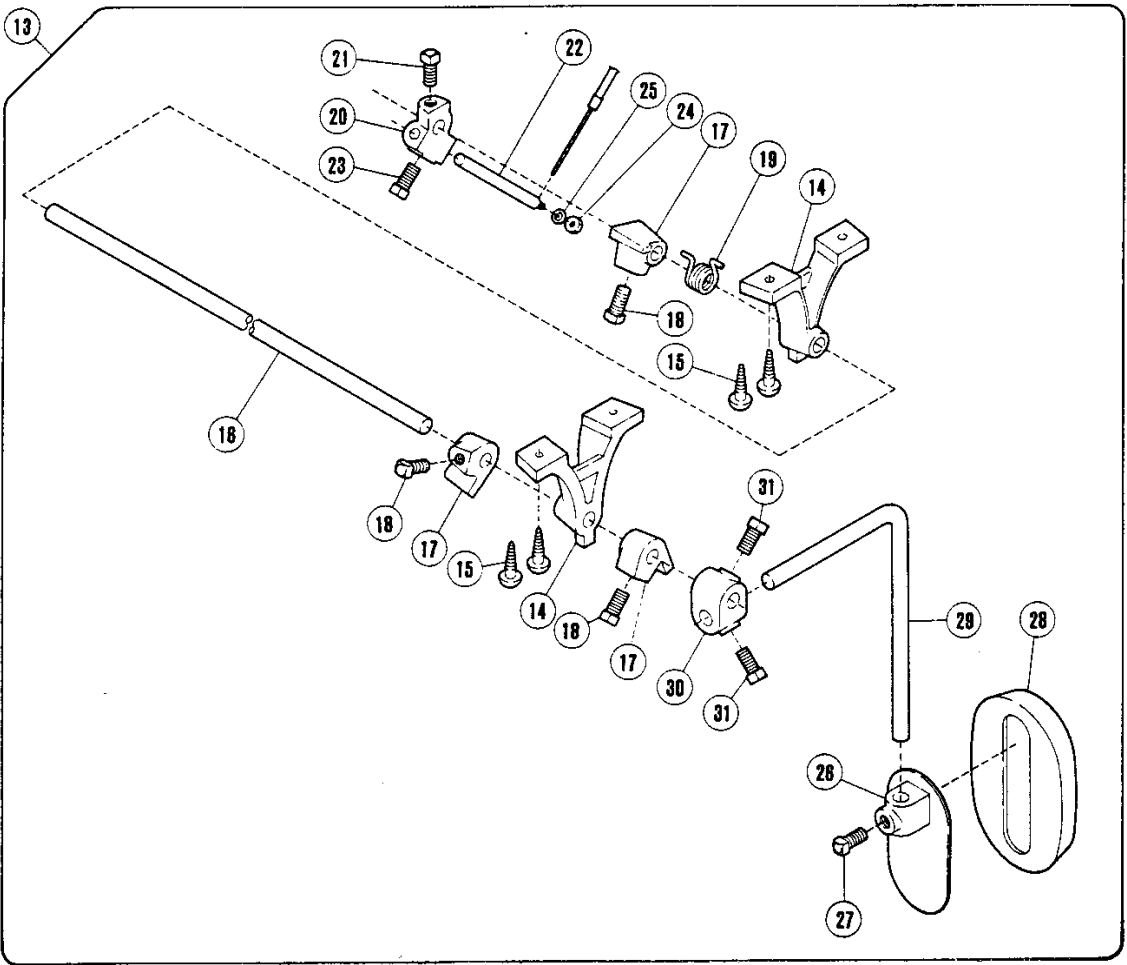
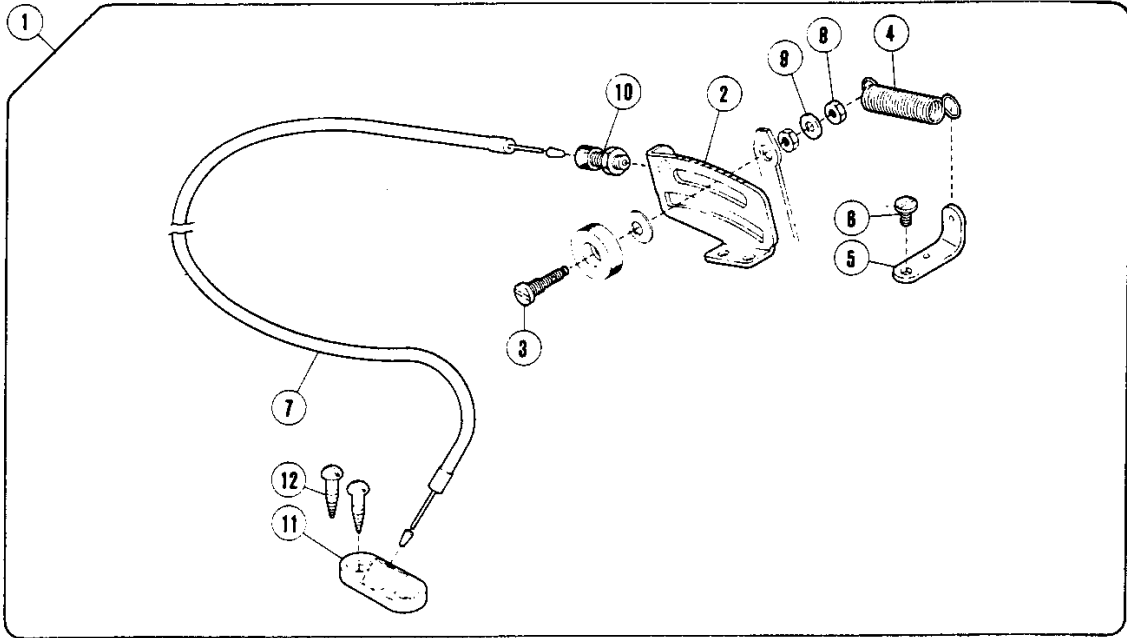
|    |      |
|----|------|
| 46 | 20mm |
| 47 | 25mm |

In the case of the subclass "P1" this part is an option.

## SHIRRING ATTACHMENT

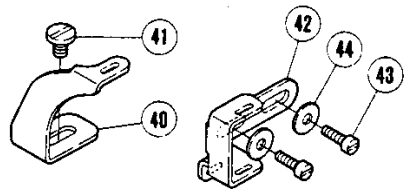
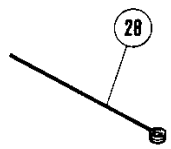
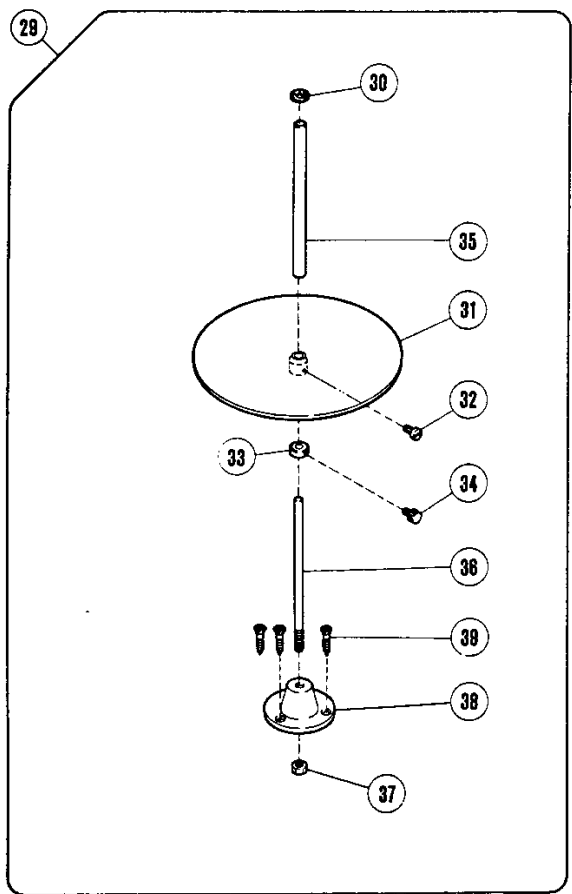
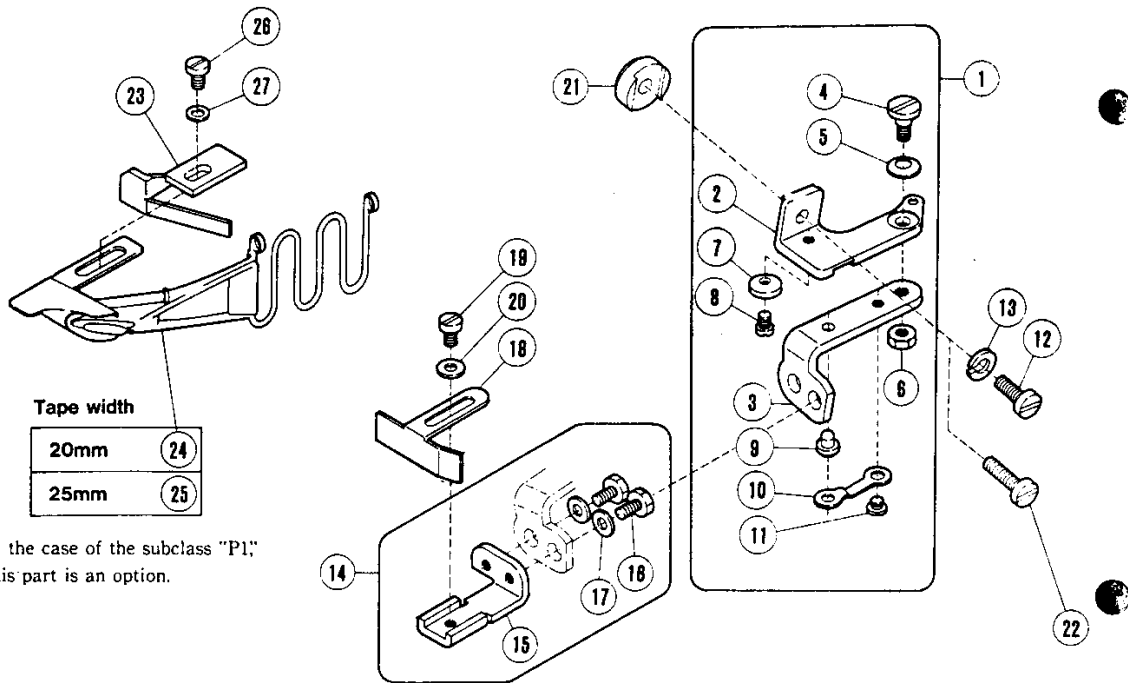
| REF.<br>NO. | PART NO.  | NAME                         | QT. | MEMO |
|-------------|-----------|------------------------------|-----|------|
| 1           | 212655    | SHIRRING ATTACHMENT COMPLETE | 1   |      |
| 2           | 212655A91 | SHIRRING ATTACHMENT COMPLETE | 1   |      |
| 3           | 212433    | LEVER                        | 1   |      |
| 4           | 2905      | SCREW                        | 2   |      |
| 5           | 212437    | BRACKET                      | 2   |      |
| 6           | 5111      | SCREW                        | 2   |      |
| 7           | 212436    | CABLE SUPPORT                | 2   |      |
| * 8         | 212477    | CABLE SUPPORT                | 2   |      |
| 9           | 4806      | NUT                          | 2   |      |
| 10          | 212435    | CABLE                        | 1   |      |
| 11          | 212434    | STOPPER                      | 1   |      |
| 12          | 1459      | SCREW                        | 1   |      |
| 13          | 212600    | BRACKET                      | 1   |      |
| 14          | 212430    | BRACKET                      | 1   |      |
| 15          | 5118      | SCREW                        | 1   |      |
| 16          | 5328      | SCREW                        | 1   |      |
| 17          | 212432    | SPRING                       | 1   |      |
| 18          | 212431    | LEVER                        | 1   |      |
| 19          | 5515      | SCREW                        | 1   |      |
| 20          | 3091      | NUT                          | 1   |      |
| 21          | 212601    | BRACKET                      | 1   |      |
| 22          | 5380      | SCREW                        | 1   |      |
| 23          | 204888    | SPRING                       | 2   |      |
| 24          | 5104      | NUT                          | 1   |      |
| 25          | 212604    | LEVER                        | 1   |      |
| 26          | 1175-2    | SCREW                        | 1   |      |
| 27          | 212606    | SPRING                       | 1   |      |
| 28          | 212607    | GEAR                         | 1   |      |
| 29          | 212602    | WORM                         | 1   |      |
| 30          | 200555    | RING                         | 1   |      |
| 31          | 210684    | FLAT SPRING                  | 1   |      |
| 32          | 1234      | SCREW                        | 1   |      |
| 33          | 210683    | PIN                          | 1   |      |
| 34          | 212603    | ROD                          | 1   |      |
| 35          | 212659    | BRACKET                      | 1   |      |
| 36          | 1196      | SCREW                        | 2   |      |
| 37          | 210955    | WASHER                       | 1   |      |
| 38          | 212660    | CLOTH GUIDE                  | 1   |      |
| 39          | 5077      | SCREW                        | 2   |      |
| 40          | 212658    | SHIRRING BLADE               | 1   |      |
| 41          | 5077      | SCREW                        | 2   |      |
| 42          | 212938    | BRACKET                      | 1   |      |
| 43          | 212939    | BRACKET                      | 1   |      |
| 44          | 2921      | SCREW                        | 2   |      |
| 45          | 212658A   | SHIRRING BLADE               | 1   |      |
| 46          | 211880    | BINDER (20)                  | 1   |      |
| 47          | 211946    | BINDER (25)                  | 1   |      |
| 48          | 2921      | SCREW                        | 2   |      |
| 49          | 211949    | CORD GUIDE PLATE             | 1   |      |

Notice) Parts with mark \* are not for sale.



KL DEVICE (MANUAL TYPE)

| REF.<br>NO. | PART NO.  | NAME                    | QT. | MEMO |
|-------------|-----------|-------------------------|-----|------|
| 1           | 212478    | INTERMITTENT ATTACHMENT | 1   |      |
| 2           | 212479    | BLADE GUIDE             | 1   |      |
| 3           | 212480    | SCREW                   | 1   |      |
| 4           | 212481    | SPRING                  | 1   |      |
| 5           | 212482    | LATCH                   | 1   |      |
| 6           | 4009-1    | SCREW                   | 1   |      |
| 7           | 212483    | CABLE                   | 1   |      |
| 8           | 3044      | NUT                     | 1   |      |
| 9           | 204585    | WASHER                  | 1   |      |
| 10          | 212436    | CABLE SUPPORT           | 1   |      |
| 11          | 212484    | BRACKET                 | 1   |      |
| 12          | 4906      | SCREW                   | 2   |      |
| 13          | 212487    | KNEE LIFTER ASSEMBLY    | 1   |      |
| 14          | 207341-JA | FRAME                   | 2   |      |
| 15          | 4906      | SCREW                   | 4   |      |
| 16          | 212485    | ROD                     | 1   |      |
| 17          | 207344-JA | COLLAR                  | 3   |      |
| 18          | 5543      | BOLT                    | 3   |      |
| 19          | 209287    | SPRING                  | 1   |      |
| 20          | 207350-JA | BRACKET                 | 1   |      |
| 21          | 5543      | BOLT                    | 1   |      |
| 22          | 212486    | LEVER                   | 1   |      |
| 23          | 5543      | BOLT                    | 1   |      |
| 24          | 4805      | NUT                     | 1   |      |
| 25          | 202058    | WASHER                  | 1   |      |
| 26          | 207345-JA | KNEE PAD BASE           | 1   |      |
| 27          | 5543      | BOLT                    | 1   |      |
| 28          | 207346    | KNEE PAD                | 1   |      |
| 29          | 212492    | ROD                     | 1   |      |
| 30          | 212493-JA | BRACKET                 | 1   |      |
| 31          | 5543      | BOLT                    | 2   |      |

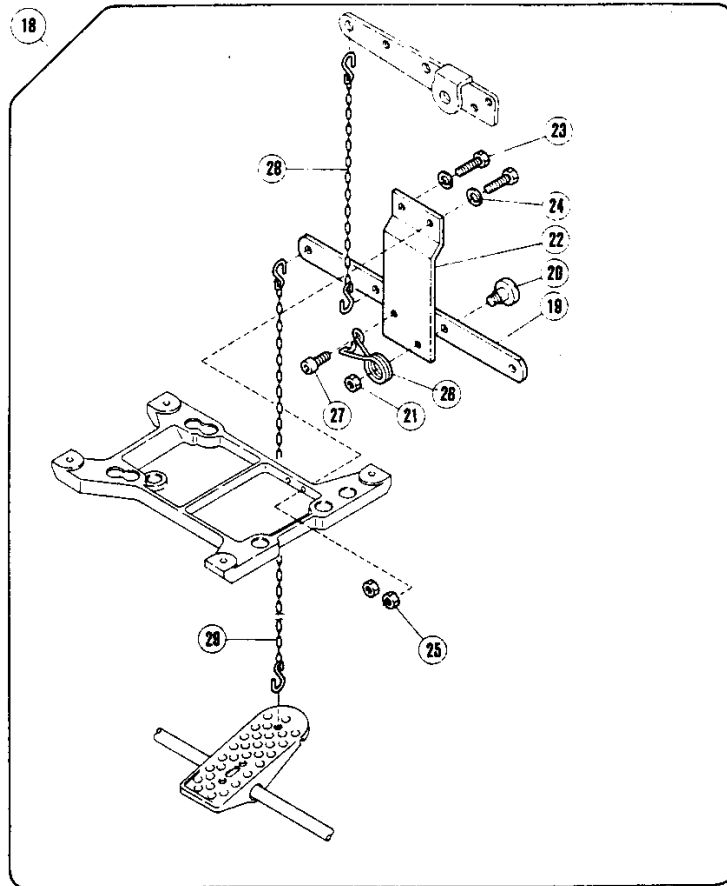
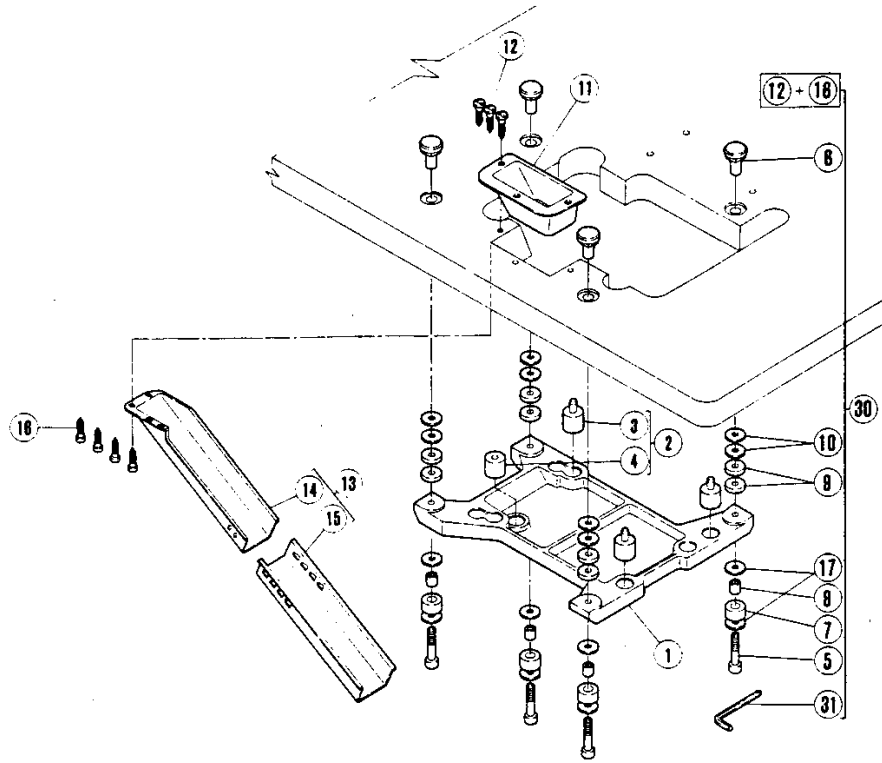


In the case of the subclass "P1,"  
this part is an option.



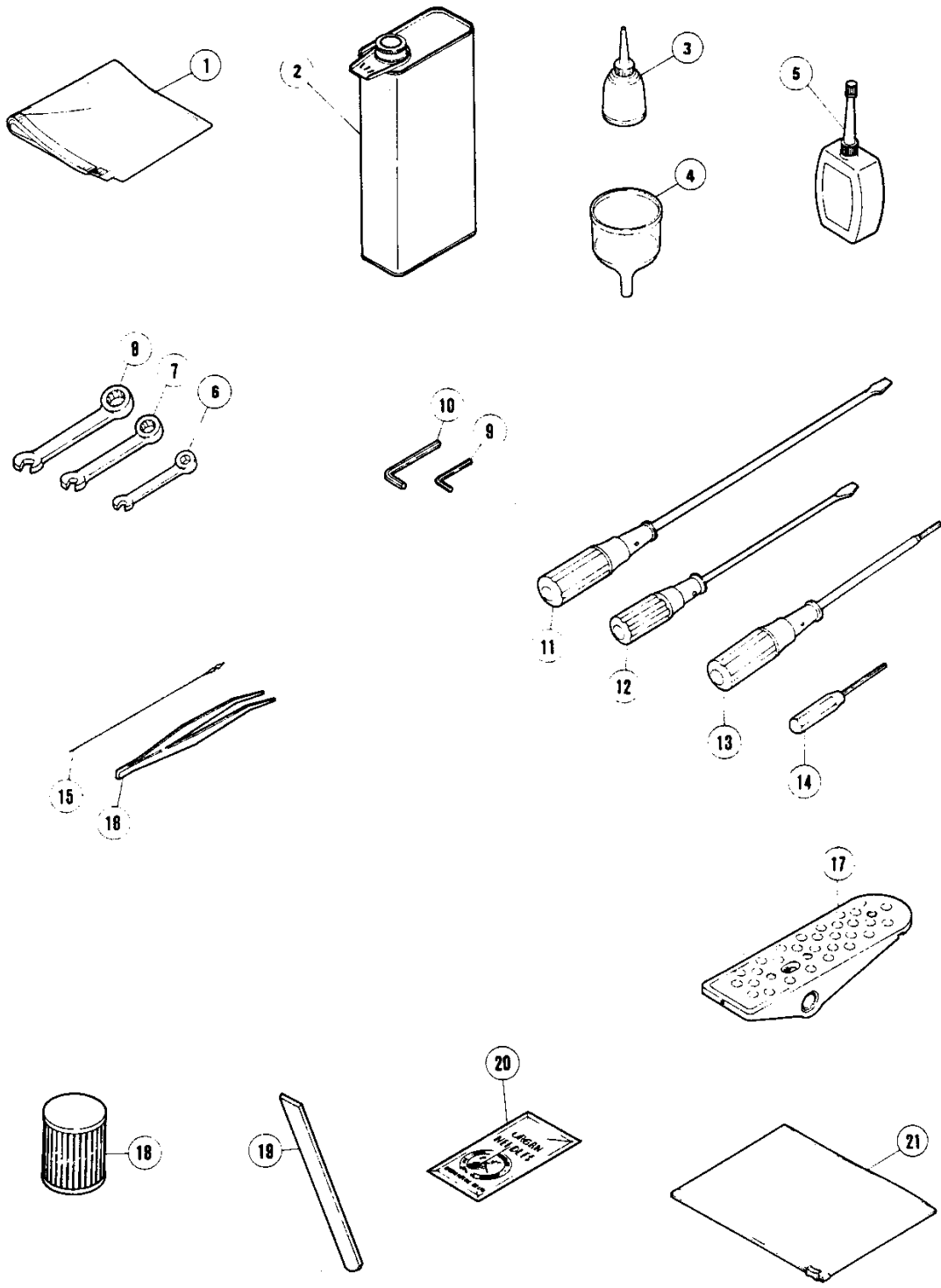
## EDGE GUIDE PIPING ATTACHMENT

| REF.<br>NO. | PART NO. | NAME                         | QT. | MEMO |
|-------------|----------|------------------------------|-----|------|
| 1           | 210685   | CLOTH GUIDE BRACKET ASSEMBLY | 1   |      |
| 2           | 210680   | CLOTH GUIDE BRACKET          | 1   |      |
| 3           | 210681   | HINGE/EDGE GUIDE BRACKET     | 1   |      |
| 4           | 5184     | SCREW                        | 1   |      |
| 5           | 201191   | SPRING                       | 1   |      |
| 6           | 3044     | NUT                          | 1   |      |
| 7           | 210682   | STOPPER                      | 1   |      |
| 8           | 5053     | SCREW                        | 1   |      |
| 9           | 210683   | PIN                          | 1   |      |
| 10          | 210684   | FLAT SPRING                  | 1   |      |
| 11          | 2906     | SCREW                        | 1   |      |
| 12          | 5118     | SCREW                        | 1   |      |
| 13          | 202286   | SPRING WASHER                | 1   |      |
| 14          | 210686   | BRACKET COMPLETE/EDGE GUIDE  | 1   |      |
| 15          | 210687   | BRACKET/EDGE GUIDE           | 1   |      |
| 16          | 5088     | SCREW                        | 2   |      |
| 17          | 167066   | WASHER                       | 2   |      |
| 18          | 204667   | EDGE GUIDE                   | 1   |      |
| 19          | 1202     | SCREW                        | 1   |      |
| 20          | 167066   | WASHER                       | 1   |      |
| 21          | 212287   | SPACER                       | 1   |      |
| 22          | 5152     | SCREW                        | 1   |      |
| 23          | 211879   | EDGE GUIDE                   | 1   |      |
| 24          | 211880   | BINDER (20)                  | 1   |      |
| 25          | 211946   | BINDER (25)                  | 1   |      |
| 26          | 1202     | SCREW                        | 1   |      |
| 27          | 167066   | WASHER                       | 1   |      |
| 28          | 413      | TAPE INSERTING TOOL          | 1   |      |
| 29          | 403      | TAPE DISC ASSEMBLY           | 1   |      |
| 30          | 406      | FELT                         | 1   |      |
| 31          | 404      | TAPE DISC                    | 1   |      |
| 32          | 4012     | SCREW                        | 1   |      |
| 33          | 407      | COLLAR                       | 1   |      |
| 34          | 408      | ADJUSTING SCREW              | 1   |      |
| 35          | 405      | FIXING ROD                   | 1   |      |
| 36          | 409      | SHAFT                        | 1   |      |
| 37          | 4818     | NUT                          | 1   |      |
| 38          | 410-JA   | BRACKET                      | 1   |      |
| 39          | 4908     | SCREW                        | 3   |      |
| 40          | 211264   | TAPE GUIDE (UPPER)           | 1   |      |
| 41          | 5453     | SCREW                        | 1   |      |
| 42          | 211265   | TAPE GUIDE (LOWER)           | 1   |      |
| 43          | 1174     | SCREW                        | 2   |      |
| 44          | 167066   | WASHER                       | 2   |      |



## PARTS FOR SEMI-SUBMERGED INSTALLATION

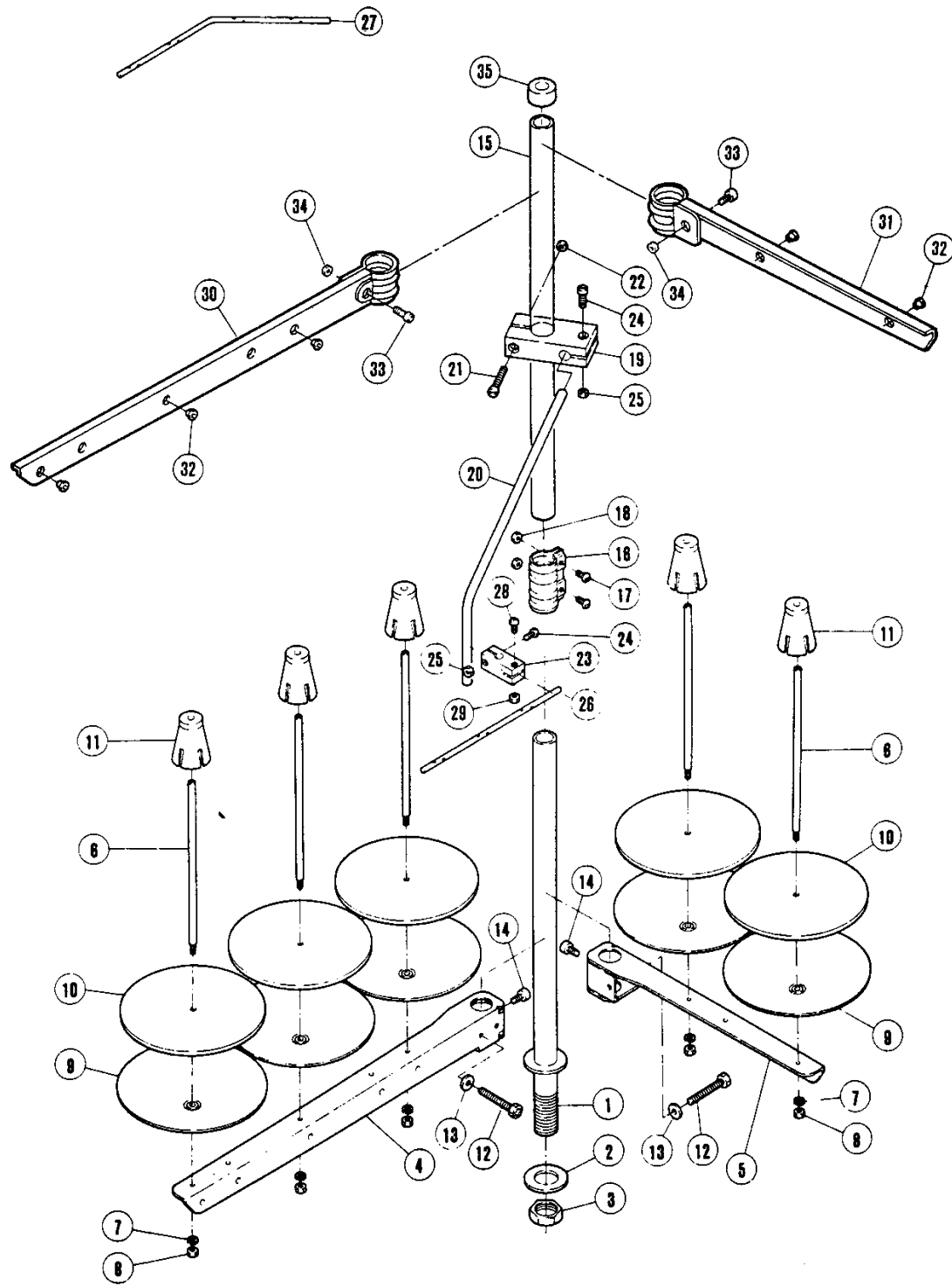
| REF.<br>NO. | PART NO.  | NAME                 | QT. | MEMO |
|-------------|-----------|----------------------|-----|------|
| 1           | 205466A   | MACHINE REST BOARD   | 1   |      |
| 2           | 9029      | CUSHION RUBBER (SET) | 1   |      |
| 3           | 205473    | CUSHION RUBBER       | 3   |      |
| 4           | 210523    | CUSHION RUBBER       | 1   |      |
| 5           | 4512      | SCREW                | 4   |      |
| 6           | 206336    | NUT                  | 4   |      |
| 7           | 205764    | CUSHION RUBBER       | 4   |      |
| 8           | 205765    | LINER                | 4   |      |
| 9           | 205467    | SPACER               | 8   |      |
| 10          | 206337    | WASHER               | 8   |      |
| 11          | 205470-JA | WASTE CHUTE TOP      | 1   |      |
| 12          | 4904      | SCREW                | 3   |      |
| 13          | 9050      | WASTE CHUTE SET      | 1   |      |
| 14          | 205468-JA | WASTE CHUTE TOP      | 1   |      |
| 15          | 205469-JA | WASTE CHUTE TOP (B)  | 1   |      |
| 16          | 4906      | SCREW                | 4   |      |
| 17          | 206337    | WASHER               | 8   |      |
| 18          | 212441    | FOOT LIFTER ASSEMBLY | 1   |      |
| 19          | 212442    | LEVER                | 1   |      |
| 20          | 5380      | SCREW                | 1   |      |
| 21          | 5104      | NUT                  | 1   |      |
| 22          | 212443    | BRACKET              | 1   |      |
| 23          | 5276      | SCREW                | 2   |      |
| 24          | 303067    | SPRING WASHER        | 2   |      |
| 25          | 5426      | NUT                  | 2   |      |
| 26          | 212444    | SPRING               | 1   |      |
| 27          | 5534      | SCREW                | 1   |      |
| 28          | 470       | CHAIN                | 1   |      |
| 29          | 471       | CHAIN                | 1   |      |
| 30          | 9030      | BOLT SET             | 1   |      |
| 31          | 272       | ALLEN KEY/6MM        | 1   |      |



## ACCESSORIES

| REF.<br>NO. | PART NO. | NAME                    | QT. | MEMO |
|-------------|----------|-------------------------|-----|------|
| 1           | 908      | DUST COVER              |     |      |
| 2           | 453      | OIL CONTAINER/1000CC    |     |      |
| 3           | 485      | OILER                   |     |      |
| 4           | 484      | OIL FUNNEL              |     |      |
| 5           | 178      | CONTAINER - SILICONE    |     |      |
| 6           | 282      | WRENCH/5MM              |     |      |
| 7           | 284      | WRENCH/7MM              |     |      |
| 8           | 285      | WRENCH/8MM              |     |      |
| 9           | 322      | ALLEN KEY/2.38MM        |     |      |
| 10          | 200      | ALLEN KEY/4.76MM        |     |      |
| 11          | 127      | SCREWDRIVER (LARGE)     |     |      |
| 12          | 128      | SCREWDRIVER (MEDIUM)    |     |      |
| 13          | 414      | ALLEN KEY DRIVER/3.17MM |     |      |
| 14          | 179      | ALLEN KEY DRIVER        |     |      |
| 15          | 153      | THREADING WIRE          |     |      |
| 16          | 131      | TWEEZERS                |     |      |
| 17          | 480      | PEDAL                   |     |      |
| 18          | 206233   | OIL FILTER              |     |      |
| *19         | 202295   | LOWER KNIFE/THICK       |     |      |
| 20          | XXXXXX   | NEEDLE                  |     |      |
| 21          | 482      | ACCESSORY BAG           |     |      |

See pages 54~75 for ××××××.

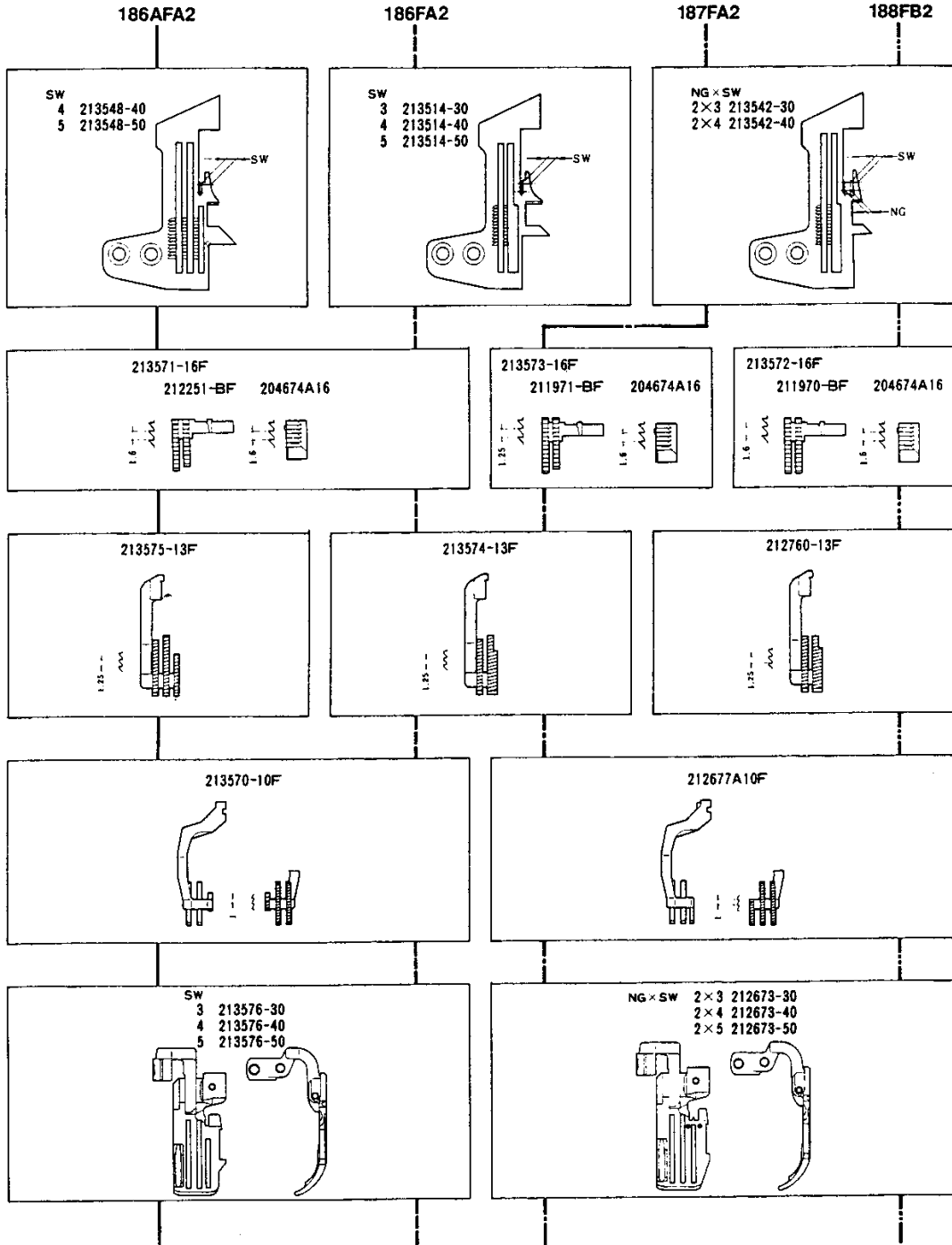


## THREAD STAND

| REF. NO. | PART NO. | NAME                         | QT. | MEMO |
|----------|----------|------------------------------|-----|------|
|          | 486B9C   | THREAD STAND ASS. (4-SPOOLS) |     | 1    |
|          | 486C9C   | THREAD STAND ASS. (3-SPOOLS) | 1   | 1    |
| 1        | 503-CA   | THREAD STAND ROD (LOWER)     | 1   | 1    |
| 2        | 509      | WASHER                       | 1   | 1    |
| 3        | 5476     | NUT                          | 1   | 1    |
| 4        | 505-CA   | BRACKET                      | 1   |      |
| 5        | 505ACA   | BRACKET                      |     | 2    |
| 6        | 380A     | SPOOL PIN                    | 3   | 4    |
| 7        | 201252   | SPRING WASHER                | 3   | 4    |
| 8        | 4803     | NUT                          | 3   | 4    |
| 9        | 381-CA   | SPOOL TRAY                   | 3   | 4    |
| 10       | 507      | CUSHION                      | 3   | 4    |
| 11       | 382-CA   | SPOOL RETAINING FIN          | 3   | 4    |
| 12       | 7102     | SCREW                        | 1   | 2    |
| 13       | 512      | WASHER                       | 1   | 2    |
| 14       | 4022     | SCREW                        | 1   | 2    |
| 15       | 502-CA   | THREAD STAND ROD (UPPER)     | 1   | 1    |
| 16       | 504-CA   | JOINT                        | 1   | 1    |
| 17       | 4021     | SCREW                        | 2   | 2    |
| 18       | 4805     | NUT                          | 2   | 2    |
| 19       | 383-CA   | BRACKET                      | 1   | 1    |
| 20       | 384      | THREAD GUIDE BAR ROD         | 1   | 1    |
| 21       | 4014     | SCREW                        | 1   | 1    |
| 22       | 4803     | NUT                          | 1   | 1    |
| 23       | 233-CA   | HOLDER                       | 1   | 1    |
| 24       | 4012     | SCREW                        | 2   | 2    |
| 25       | 4803     | NUT                          | 2   | 2    |
| 26       | 293C     | THREAD GUIDE BAR (3-SPOOLS)  | 1   |      |
| 27       | 293B     | THREAD GUIDE BAR (4-SPOOLS)  |     | 1    |
| 28       | 4012     | SCREW                        | 1   | 1    |
| 29       | 4803     | NUT                          | 1   | 1    |
| 30       | 527-CA   | BRACKET                      | 1   |      |
| 31       | 527ACA   | BRACKET                      |     | 2    |
| 32       | 506      | THREAD EYELET                | 3   | 4    |
| 33       | 4117     | SCREW                        | 1   | 2    |
| 34       | 4805     | NUT                          | 1   | 2    |
| 35       | 386      | ROD CAP                      | 1   | 1    |

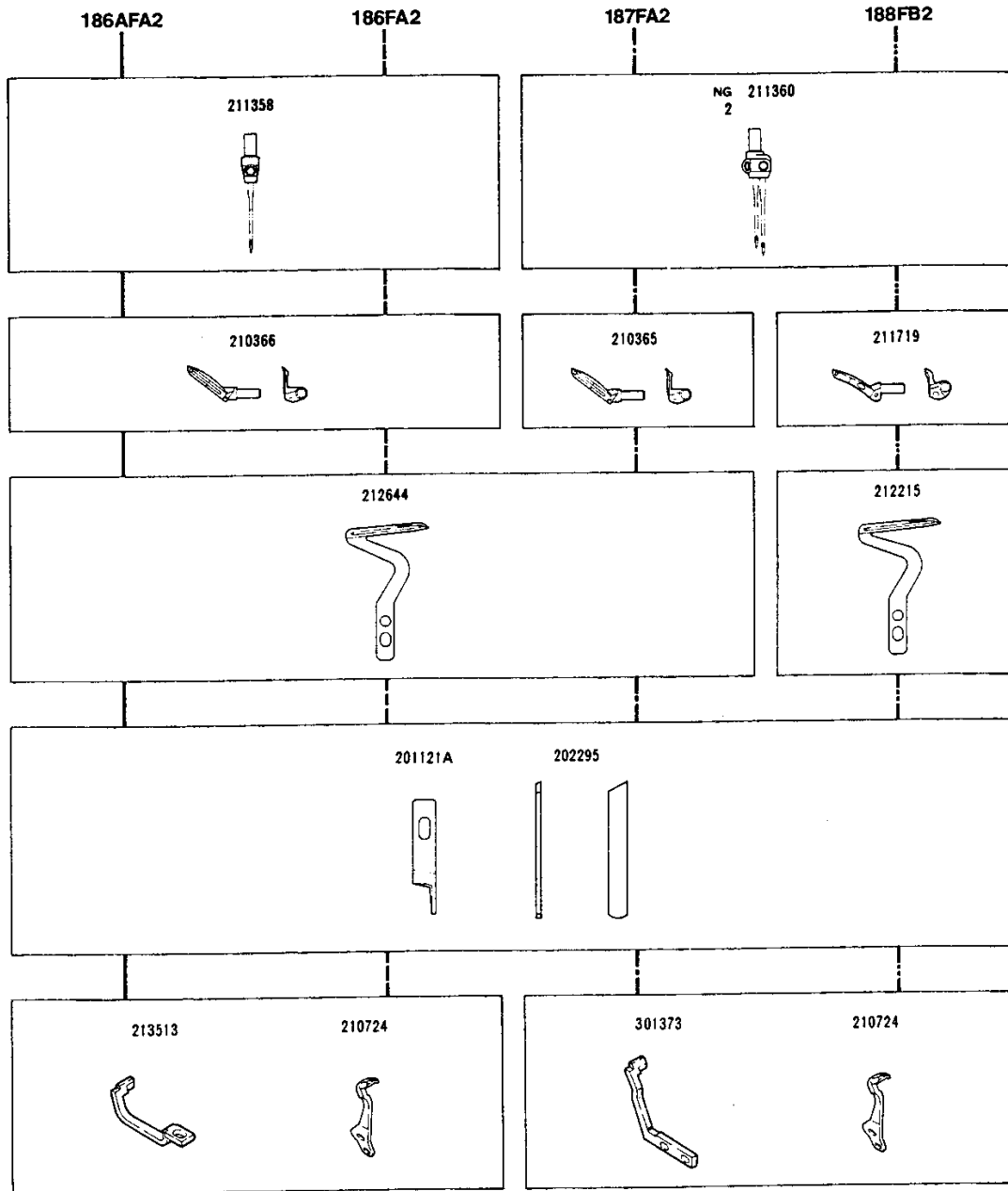
9752-186FA2/04-393-W  
9752-186AFA2/04-363-W

9752-187FA2/14-393-W  
9752-188FB2/14-493-W



NG-NEEDLE GAUGE  
SW-SEAM WIDTH

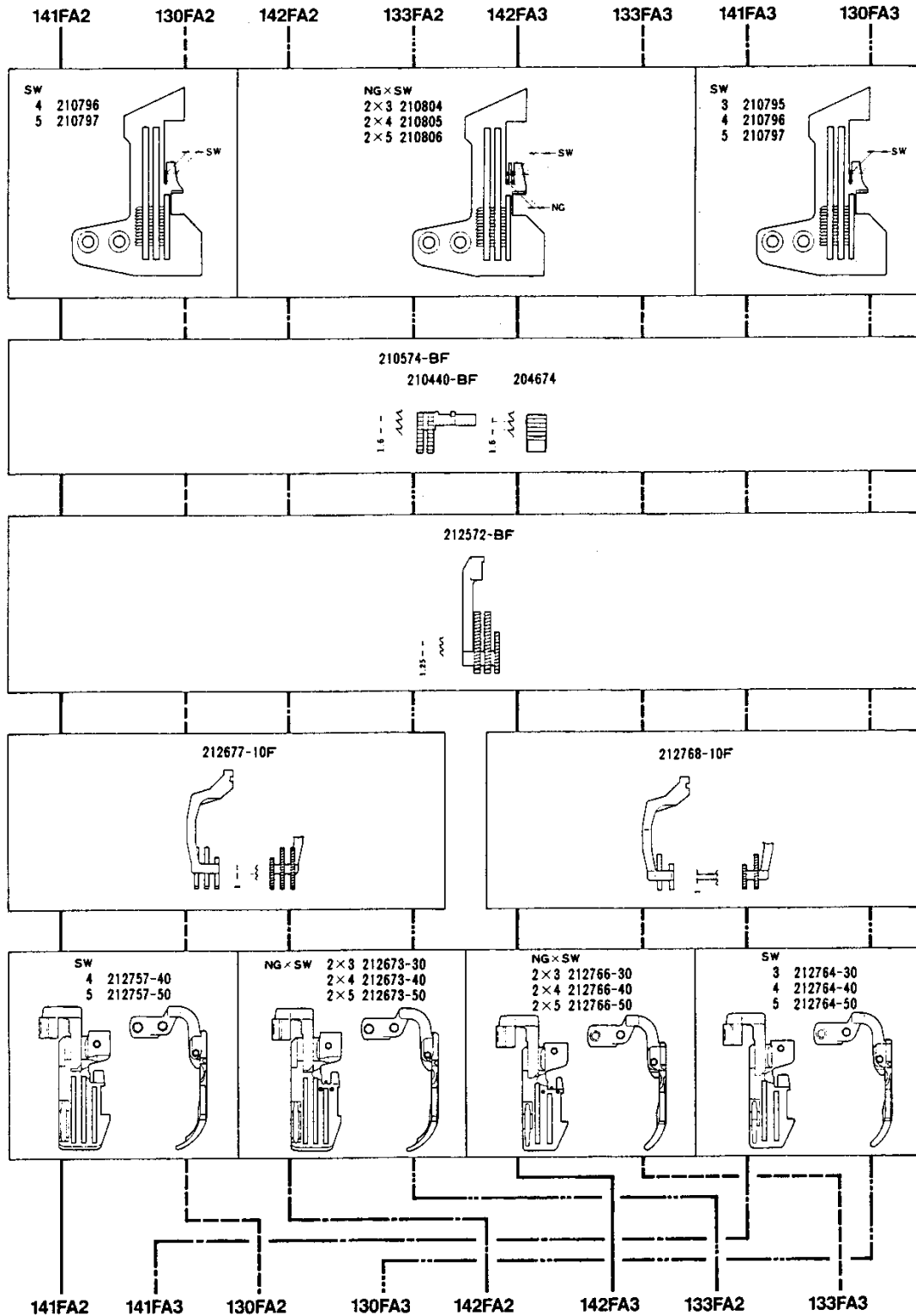


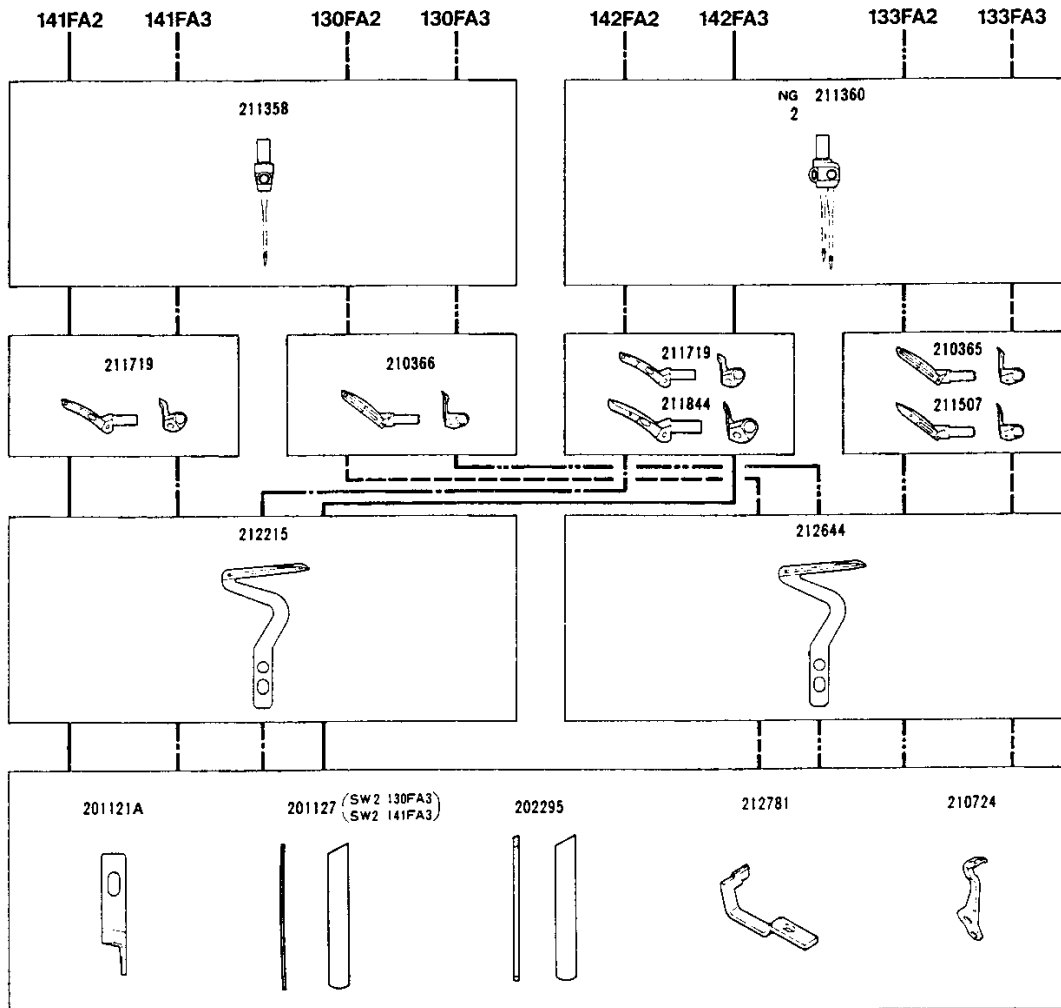


|                           |   |  |         |     |          |         |       |    | MEMO |             |
|---------------------------|---|--|---------|-----|----------|---------|-------|----|------|-------------|
| 9752-186FA2<br>/04-393-W  |   |  | 3, 4, 5 | 3.8 | 0.75~1.5 | 0.7~2   | 5,500 | H  |      | Used for BL |
| 9752-186AFA2<br>/04-363-W |   |  | 3, 4, 5 | "   | "        | "       | "     | "  |      | "           |
| 9752-187FA2<br>/14-393-W  | 2 |  | 3, 4, 5 | "   | "        | "       | "     | "  |      | "           |
| 9752-188FB2<br>/14-493-W  | 2 |  | 3, 4, 5 | "   | 1.2~3.6  | 1.1~3.2 | 4,500 | EX |      | "           |

9752-130FA2/04-363-N  
 9752-133FA2/14-363-N  
 9752-141FA2/04-463-W  
 9752-142FA2/14-463-W

9752-130FA3/04-363-N  
 9752-133FA3/14-363-N  
 9752-141FA3/04-463-W  
 9752-142FA3/14-463-W





**SEAMING**

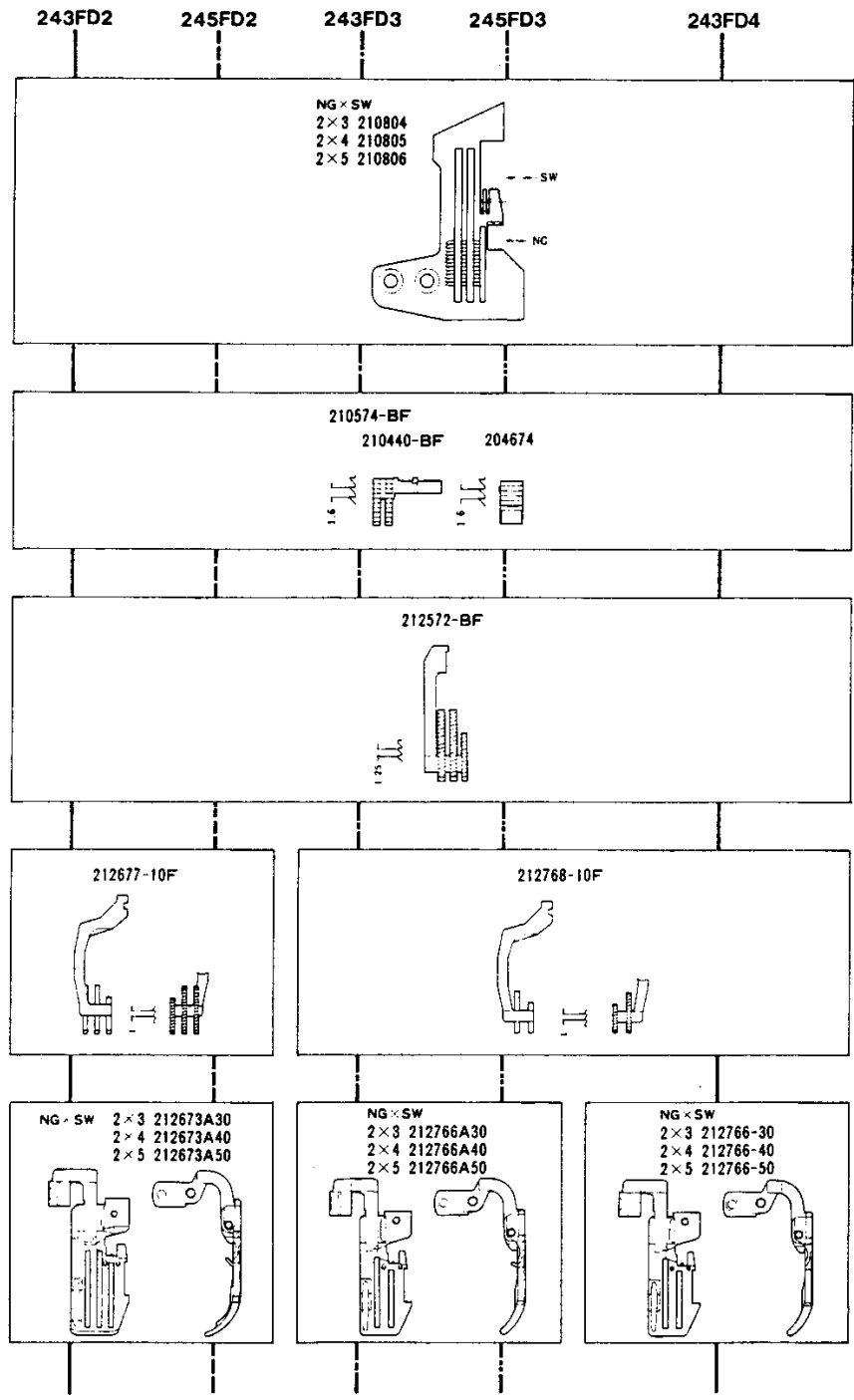
|                          |   |  |         |     |         |       |       | MEMO |   |
|--------------------------|---|--|---------|-----|---------|-------|-------|------|---|
| 9752-141FA2<br>/04-463-W |   |  | 4.5     | 3.8 | 0.7~1.5 | 0.7~2 | 6,000 | EX   | Medium to heavy fabrics<br>Sportswear                   |
| 9752-130FA2<br>/04-363-N |   |  | 4.5     | "   | "       | "     | "     | HI   | Light to medium fabrics.<br>Sportswear                  |
| 9752-142FA2<br>/14-463-W | 2 |  | 3, 4, 5 | "   | "       | "     | "     | EX   | Medium to heavy fabrics.<br>Sportswear, childrens' wear |
| 9752-133FA2<br>/14-363-N | 2 |  | 3, 4, 5 | "   | "       | "     | "     | HI   | Light to medium fabrics.<br>Sports shirts               |

**SEAMING**

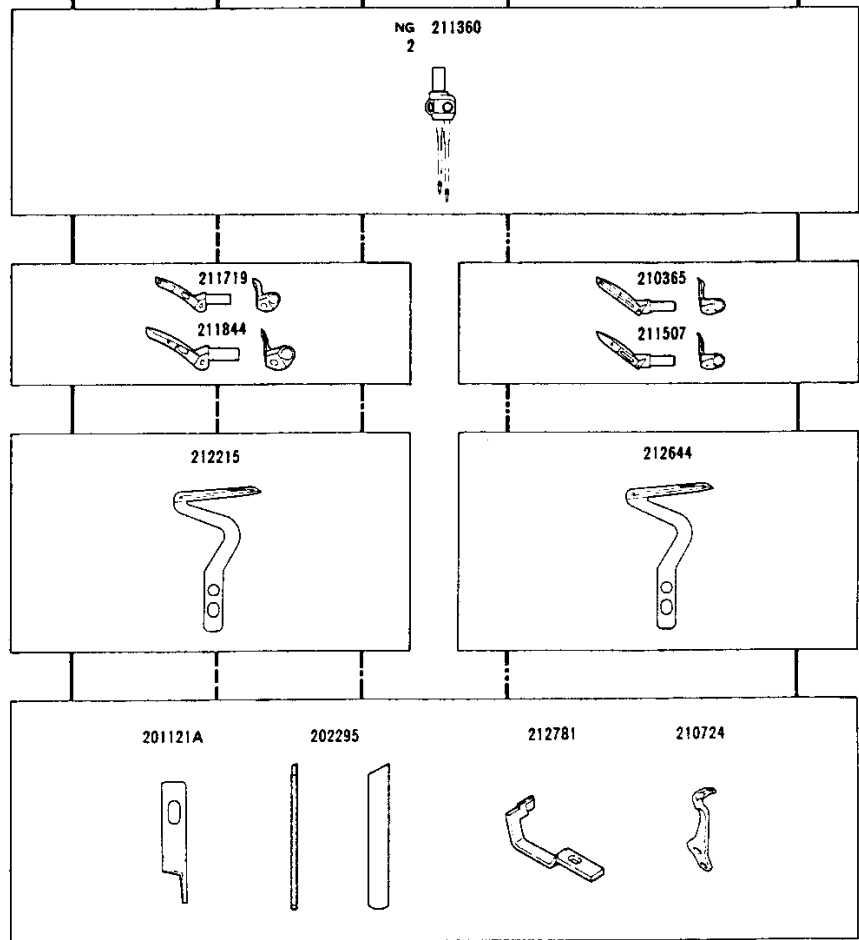
|                          |   |  |         |     |         |       |       | MEMO |   |
|--------------------------|---|--|---------|-----|---------|-------|-------|------|---|
| 9752-141FA3<br>/04-463-W |   |  | 3, 4, 5 | 3.8 | 0.7~1.5 | 0.7~2 | 6,000 | EX   | Medium to heavy fabrics.<br>Sportswear                  |
| 9752-130FA3<br>/04-363-N |   |  | 3, 4, 5 | "   | "       | "     | "     | HI   | Light to medium fabrics.<br>Sports shirts               |
| 9752-142FA3<br>/14-463-W | 2 |  | 3, 4, 5 | "   | "       | "     | "     | EX   | Medium to heavy fabrics.<br>Sportswear, childrens' wear |
| 9752-133FA3<br>/14-363-N | 2 |  | 3, 4, 5 | "   | "       | "     | "     | HI   | Light to medium fabrics.<br>Sports shirts               |

9752-243FD2/14-463-W/KL100  
 9752-245FD2/14-363-W/KL100

9752-243FD3/14-463-W/KL100  
 9752-245FD3/14-363-W/KL100  
 9752-243FD4/P1(P2)/14-463-W/KL100



243FD2      245FD2      243FD3      245FD3      243FD4



**GATHERING**

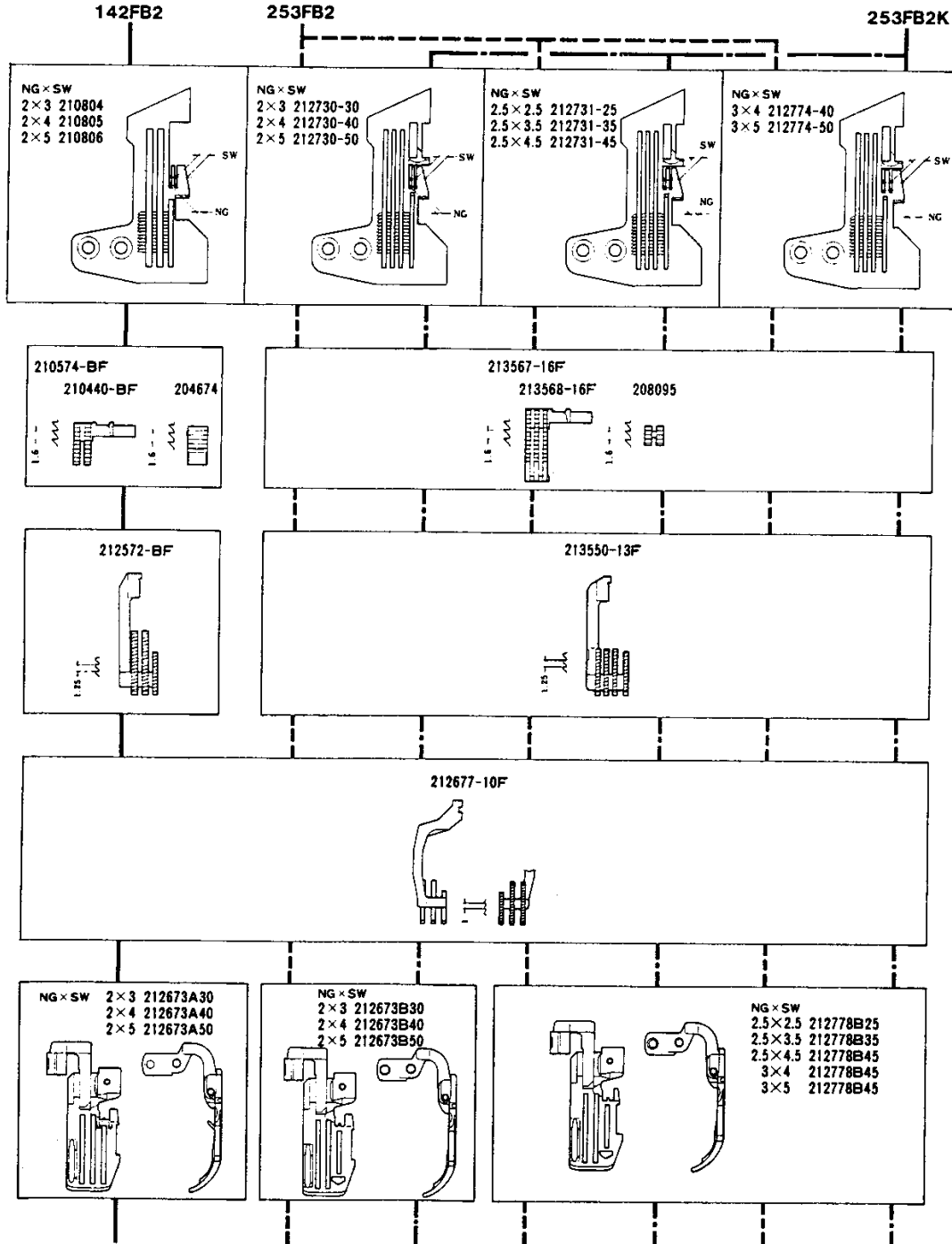
|                                |   |         |     |         |       |       |    |  | MEMO |   |
|--------------------------------|---|---------|-----|---------|-------|-------|----|--|------|---|
| 9752-243FD2<br>/14-463-W/KL100 | 2 | 3, 4, 5 | 3.8 | 0.7~1.9 | 0.7~2 | 5,500 | EX |  |      | Medium to heavy fabrics.<br>Curtains, childrens' wear           |
| 9752-245FD2<br>/14-363-W/KL100 | 2 | 3, 4, 5 | "   | "       | "     | "     | H1 |  |      | Operations lighter than<br>243FD2.<br>Curtains, childrens' wear |
| 9752-243FD3<br>/14-463-W/KL100 | 2 | 3, 4, 5 | 3.8 | 0.7~1.9 | 0.7~2 | 5,000 | EX |  |      | Medium to heavy fabrics.<br>Curtains, childrens' wear           |
| 9752-245FD3<br>/14-363-W/KL100 | 2 | 3, 4, 5 | "   | "       | "     | "     | H1 |  |      | Operations lighter than<br>243FD2.<br>Curtains, childrens' wear |

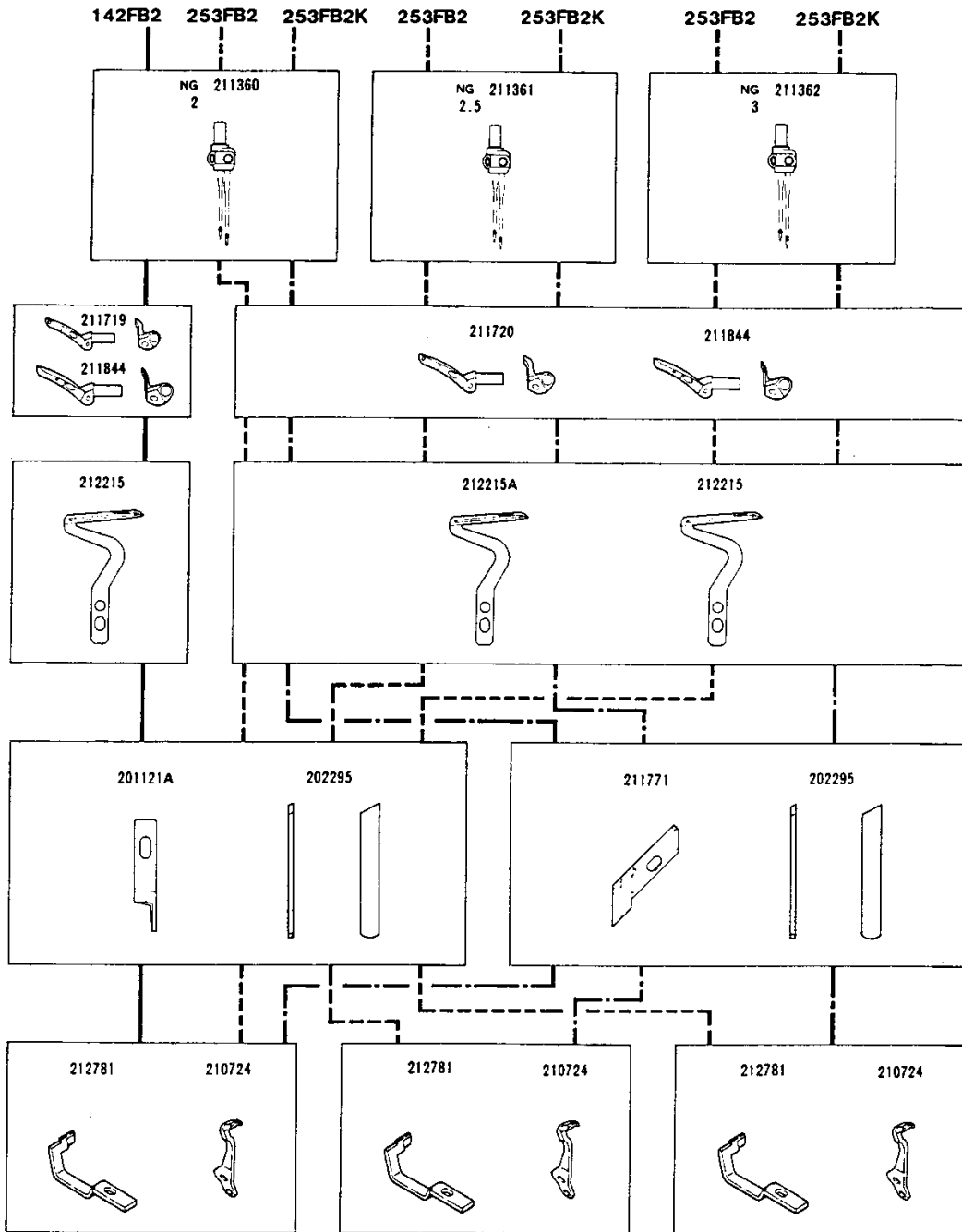
**GATHERING-PIPING**

|                                       |   |         |     |       |       |       |    | MEMO |  |                           |
|---------------------------------------|---|---------|-----|-------|-------|-------|----|------|--|---------------------------|
| 9752-243FD4/P1(P2)<br>/14-463-W/KL100 | 2 | 3, 4, 5 | 3.8 | 0.7~2 | 0.7~2 | 5,500 | EX |      |  | Curtains, childrens' wear |

9752-142FB2/S1/14-463-W  
 9752-142FB2/S2/14-463-W/KL100

9752-253FB2/S1/14-493-W  
 9752-253FB2/S2/14-493-W/KL100  
 9752-253FB2K/S1/14-493-W  
 9752-253FB2K/S2/14-493-W/KL100



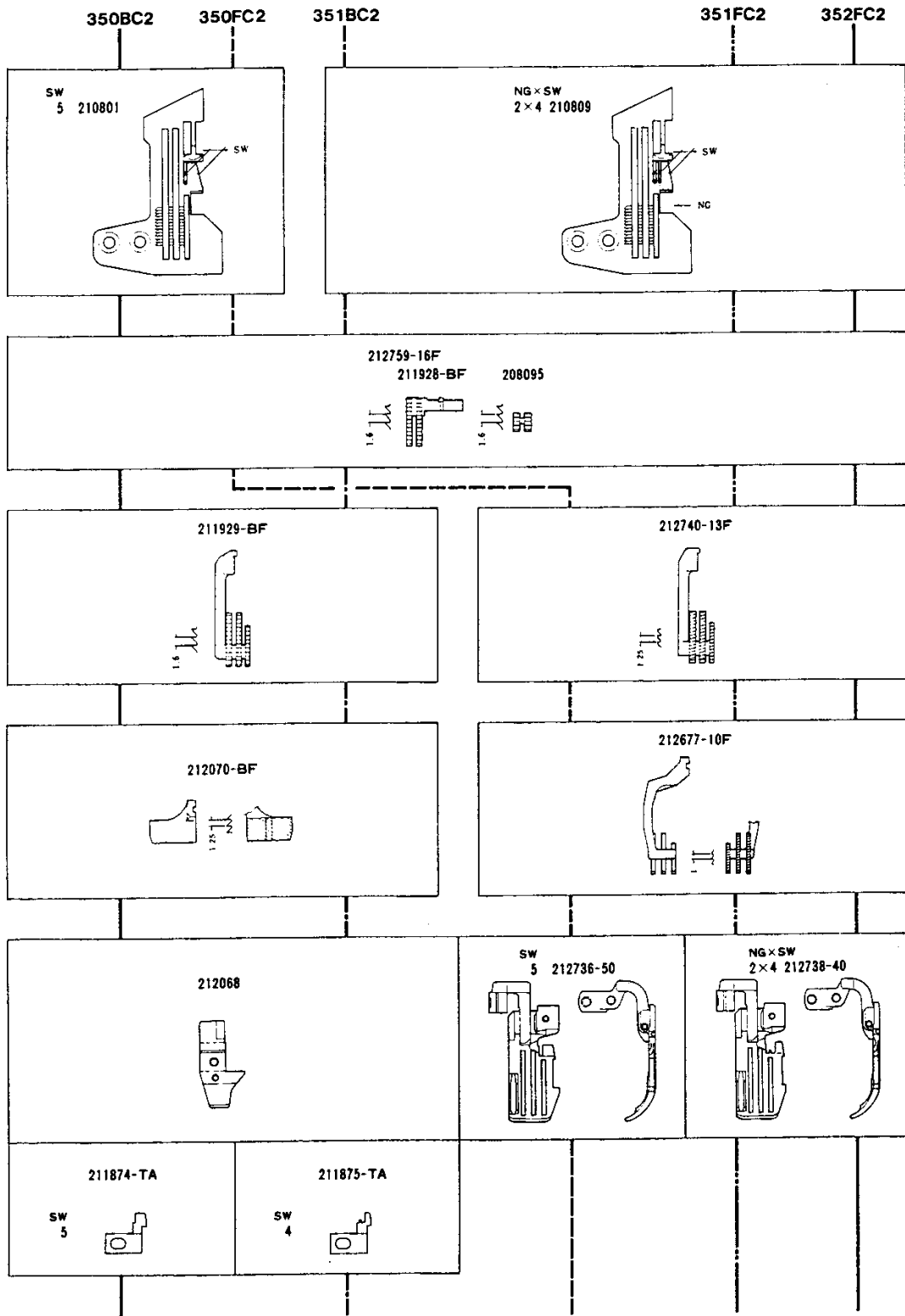


**SEAMING · ATTACHING TAPE**

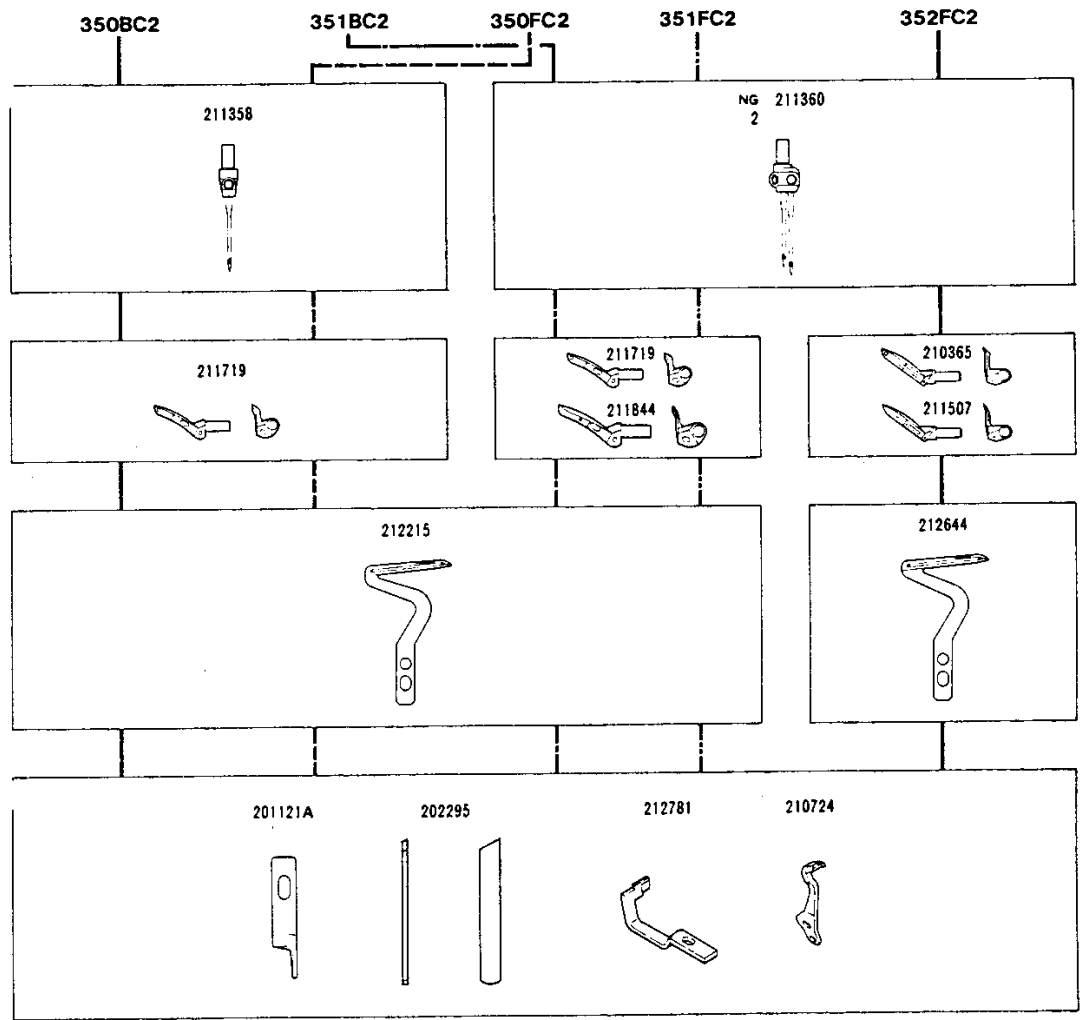
|                                  |  |               |                                  |     | $\frac{OF}{10}$ | $\frac{SP}{10}$ |       |    | MEMO |   |
|----------------------------------|--|---------------|----------------------------------|-----|-----------------|-----------------|-------|----|------|---|
| 9752-142FB2/S1<br>/14-463-W      |  | 2             | 3, 4, 5                          | 2.4 | 1.2~3.6         | 1.1~3.2         | 5,000 | EX |      | Medium to heavy fabrics.<br>Sweater, sports wear                |
| 9752-142FB2/S1 (S2)<br>/14-493-W |  | 2<br>2.5<br>3 | 3, 4, 5<br>2.5, 3.5, 4.5<br>4, 5 | 3.2 | 0.8~2.6         | 0.8~2.8         | 5,000 | "  |      | Attaching tape. Medium to heavy.<br>Sweaters, sportswear        |
| 9752-253FB2/S1 (S2)<br>/14-493-W |  | 2<br>2.5<br>3 | 3, 4, 5<br>2.5, 3.5, 4.5<br>4, 5 | "   | "               | "               | "     | "  |      | Same applications as -253FB2<br>but with an angled upper knife. |

9752-350BC2/P1(P2)/04-453-W  
 9752-351BC2/P1(P2)/14-453-W

9752-350FC2/P1(P2)/04-453-W  
 9752-351FC2/P1(P2)/14-453-W  
 9752-352FC2/P1(P2)/14-353-W







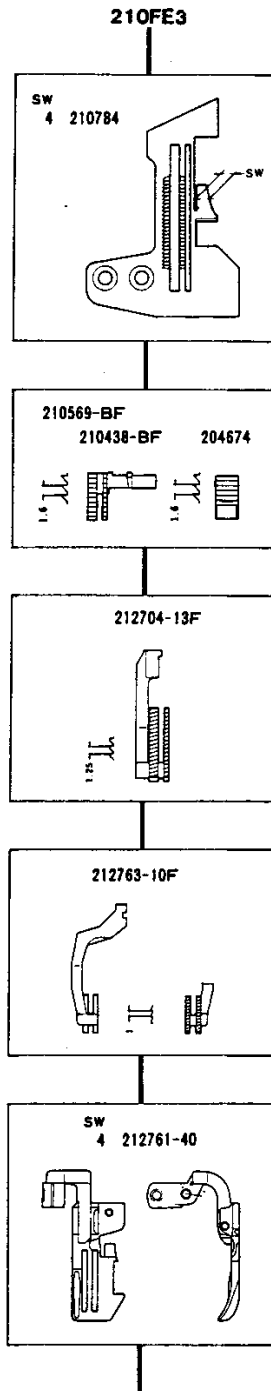
**PIPING**

|  |   |   |     | $\frac{OF}{SI}$ | $\frac{W}{NO}$ |       |    | MEMO |                     |
|--|---|---|-----|-----------------|----------------|-------|----|------|---------------------|
| 9752-350BC2/P1(P2)<br>/04-453-W              |   | 5 | 3.8 | 0.7~1.5         | 0.7~2          | 6,000 | EX |      | Jeans               |
| 9752-351BC2/P1(P2)<br>/14-453-W<br>/12-453-W | 2 | 4 | "   | "               | "              | "     | EX |      | Sportswear<br>Jeans |

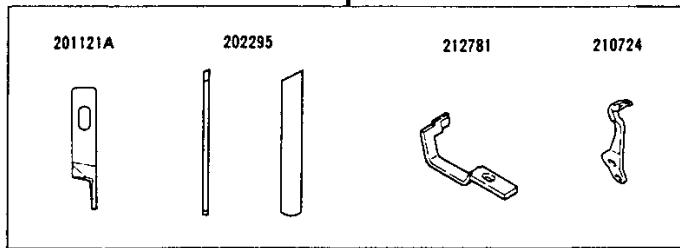
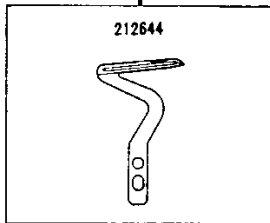
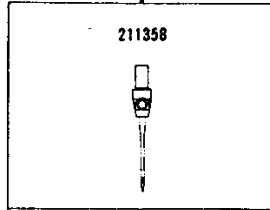
**PIPING**

|  |   |   |     | $\frac{OF}{SI}$ | $\frac{W}{NO}$ |       |     | MEMO |  |
|--|---|---|-----|-----------------|----------------|-------|-----|------|--|
| 9752-350FC2/P1(P2)<br>-453-W                 |   | 5 | 3.8 | 0.7~1.5         | 0.7~2          | 6,000 | EX  |      | Sportswear, casual wear                                      |
| 9752-351FC2/P1(P2)<br>/14-453-W<br>/12-453-W | 2 | 4 | "   | "               | "              | "     | "   |      | Medium to heavy fabrics.<br>Sportswear, casual wear          |
| 9752-352FC2/P1(P2)<br>/14-353-W<br>/12-353-W | 2 | 4 | "   | "               | "              | "     | H I |      | Operations lighter than 351FC2.<br>Curtains, childrens' wear |

9752-210FE3/05-323-N



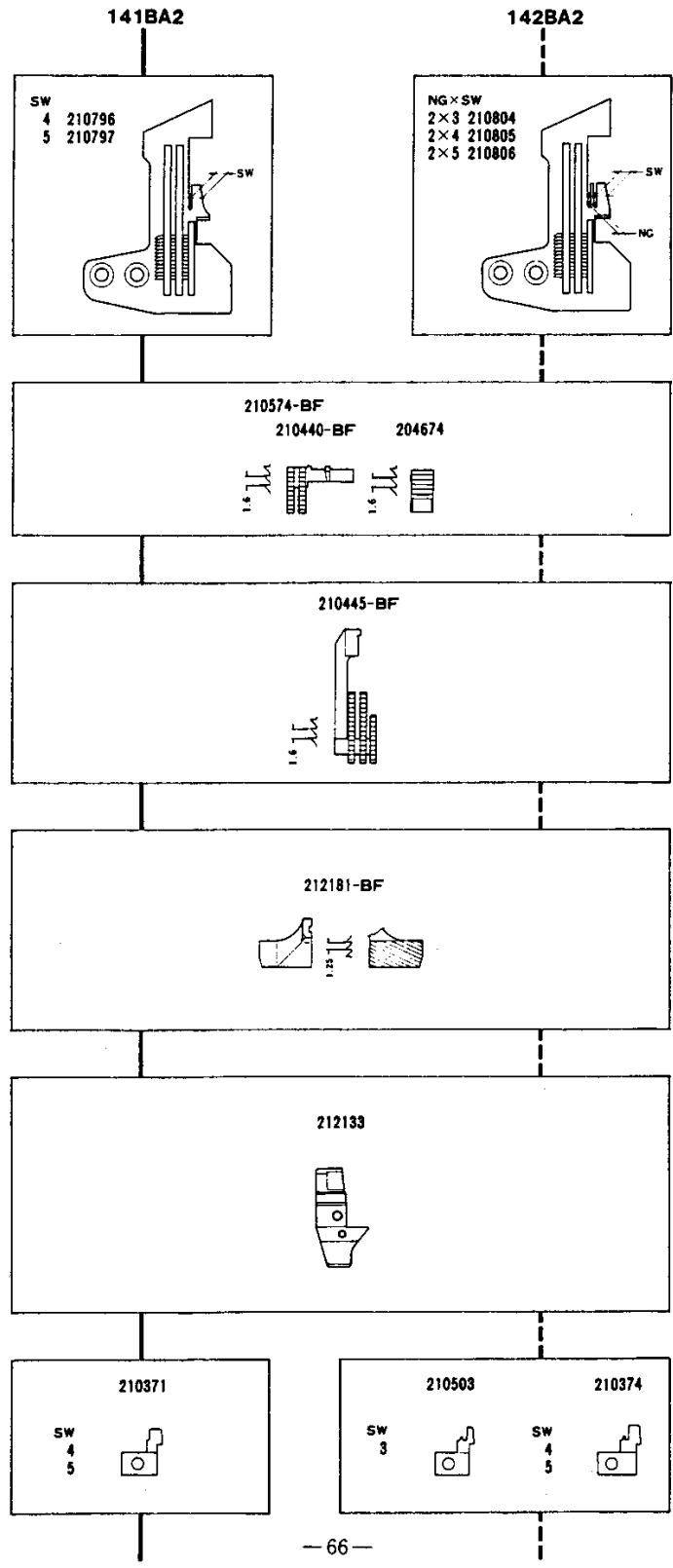
210FE3

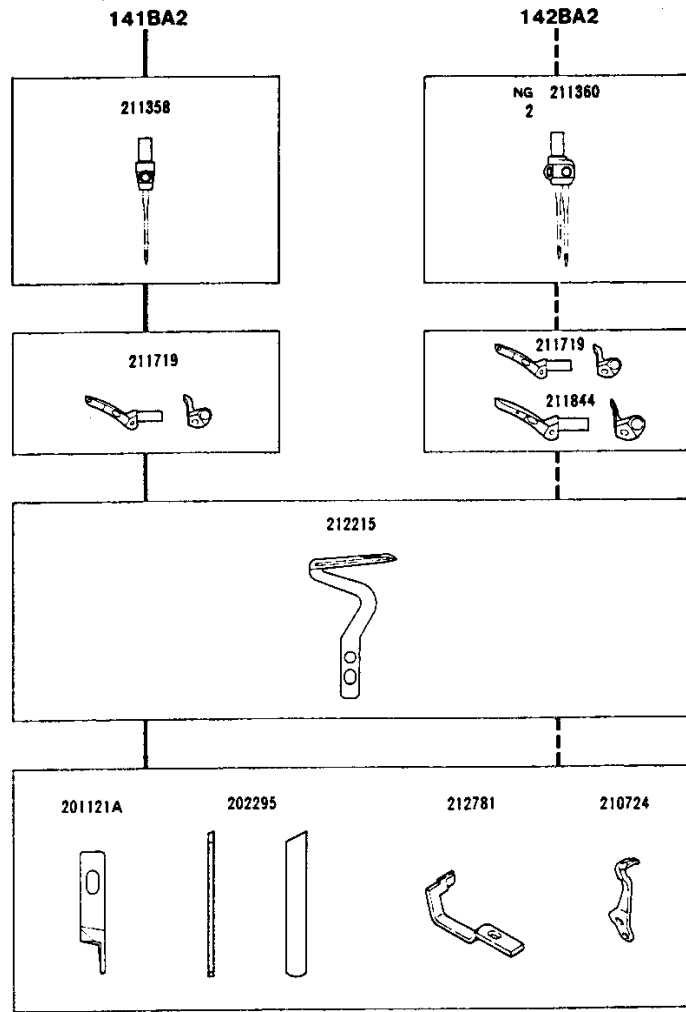


**BLINDHEMMING**

|                          |  |   |     |         |       |       |    |  |      |                     |
|--------------------------|--|---|-----|---------|-------|-------|----|--|------|---------------------|
|                          |  |   |     |         |       |       |    |  | MEMO |                     |
| 9752-210FE3<br>/05-323-N |  | 4 | 3.8 | 0.7~1.5 | 0.7~2 | 6,000 | HI |  |      | Underwear, T-shirts |

9752-141BA2/04-463-W  
 9752-142BA2/14-463-W





**SEAMING·SERGING**

|                                 |  |   |         |      |         |       |       |    | MEMO |       |
|---------------------------------|--|---|---------|------|---------|-------|-------|----|------|-------|
| 9752-141BA2<br>/04-463-W        |  |   | 4, 5    | 3, 8 | 0.7-1.5 | 0.7-2 | 6,000 | EX |      | Jeans |
| 9752-142BA2<br>/14-463-W<br>/12 |  | 2 | 3, 4, 5 | "    | "       | "     | "     | EX |      | Jeans |

GAUGE PARTS LIST (1)  
(USED FOR BL)

| MACHINE TYPE SPEC.       | GAUGE NG/SW | NEEDLE PLATE | MAIN FEED DOG COMP. | DIFF. FEED DOG | TOP FEED DOG | PRESSER BODY | FOOT FINGER | UPPER LOOPER | LOWER LOOPER | UPPER LOOPER | LOWER LOOPER | FOR 512 ONLY |              |
|--------------------------|-------------|--------------|---------------------|----------------|--------------|--------------|-------------|--------------|--------------|--------------|--------------|--------------|--------------|
|                          |             |              |                     |                |              |              |             |              |              |              |              | UPPER LOOPER | LOWER LOOPER |
| 9752-186FA2<br>/04-393-W | 3           | 213514-30    | 213571-16F          | 213574-13F     | 213570-10F   | 213576-30    | -----       | 210366       | 212644       | -----        | -----        | -----        | -----        |
|                          | 4           | " -40        | "                   | "              | "            | " -40        | -----       | " #26        | "            | -----        | -----        | -----        | -----        |
|                          | 5           | " -50        | "                   | "              | "            | " -50        | -----       | "            | "            | -----        | -----        | -----        | -----        |
| 9752-186FA2<br>/04-363-W | 4           | 213548-40    | 213571-16F          | 213575-13F     | 213570-10F   | 213576-40    | -----       | 210366       | 212644       | -----        | -----        | -----        | -----        |
|                          | 5           | " -50        | "                   | "              | "            | " -50        | -----       | " #26        | "            | -----        | -----        | -----        | -----        |
| 9752-187FA2<br>/14-393-W | 2 3         | 213542-30    | 213573-16F          | 213574-13F     | 212677-10F   | 212673-30    | -----       | 210365       | 212644       | -----        | -----        | -----        | -----        |
|                          | 2 4         | " -40        | "                   | "              | "            | " -40        | -----       | " #24        | "            | -----        | -----        | -----        | -----        |
| 9752-188FB2<br>/14-493-W | 2 3         | 213542-30    | 213572-16F          | 212760-13F     | 212677-10F   | 212673-30    | -----       | 211719       | 212215       | -----        | -----        | -----        | -----        |
|                          | 2 4         | " -40        | "                   | "              | "            | " -40        | -----       | " #38        | "            | -----        | -----        | -----        | -----        |

| MACHINE TYPE SPEC.       | GAUGE NG/SW | NEEDLE HOLDER | UPPER KNIFE  | LOWER KNIFE | NEEDLE (FRONT) | GUARD (REAR) | NEEDLE      |
|--------------------------|-------------|---------------|--------------|-------------|----------------|--------------|-------------|
|                          |             |               |              |             |                |              |             |
| 9752-186FA2<br>/04-363-W | 4<br>5      | 211358<br>"   | 201121A<br>" | 202295<br>" | 213513<br>"    | 210724<br>"  | DCX27<br>#9 |
| 9752-187FA2<br>/14-393-W | 2 3<br>2 4  | 211360<br>"   | 201121A<br>" | 202295<br>" | 301373<br>"    | 210724<br>"  | DCX27<br>#9 |
| 9752-188FB2<br>/14-493-W | 2 3<br>2 4  | 211360<br>"   | 201121A<br>" | 202295<br>" | 301373<br>"    | 210724<br>"  | DCX27<br>#9 |

GAUGE PARTS LIST (2)

| MACHINE TYPE SPEC.    | GAUGE NG SW | NEEDLE PLATE | MAIN FEED DOG COMP. | DIFF. FEED DOG | TOP FEED DOG | PRESSER BODY | FOOT   |        | UPPER LOOPER    | LOWER LOOPER | FOR 512 ONLY    |              |
|-----------------------|-------------|--------------|---------------------|----------------|--------------|--------------|--------|--------|-----------------|--------------|-----------------|--------------|
|                       |             |              |                     |                |              |              | FINGER | FINGER |                 |              | UPPER LOOPER    | LOWER LOOPER |
| 9752-130FA2 /04-363-N | 4           | 210796       | 210574-BF           | 212572-BF      | 212677-10F   | 212757-40    | -----  | -----  | 210366<br>" #26 | 212644       | -----           | -----        |
|                       | 5           | 210797       | "                   | "              | "            | " -50        | -----  | -----  | "               | "            | -----           | -----        |
| 9752-133FA2 /14-363-N | 2           | 210804       | 210574-BF           | 212572-BF      | 212677-10F   | 212673-30    | -----  | -----  | 210365<br>" #24 | 212644       | 211507<br>" #56 | 212644       |
|                       | 4           | 210805       | "                   | "              | "            | " -40        | -----  | -----  | "               | "            | -----           | "            |
| 9752-141FA2 /04-463-W | 2           | 210806       | 210574-BF           | 212572-BF      | 212677-10F   | 212757-40    | -----  | -----  | 211719<br>" #38 | 212215       | -----           | -----        |
|                       | 4           | 210796       | "                   | "              | "            | " -50        | -----  | -----  | "               | "            | -----           | "            |
| 9752-142FA2 /14-463-W | 2           | 210804       | 210574-BF           | 212572-BF      | 212677-10F   | 212673-30    | -----  | -----  | 211719<br>" #38 | 212215       | 211844<br>" #62 | 212215       |
|                       | 4           | 210805       | "                   | "              | "            | " -40        | -----  | -----  | "               | "            | -----           | "            |
| 9752-1463-W /12-463-W | 2           | 210806       | "                   | "              | "            | " -50        | -----  | -----  | "               | "            | -----           | "            |
|                       | 4           | 210796       | "                   | "              | "            | " -50        | -----  | -----  | "               | "            | -----           | "            |

| MACHINE TYPE SPEC.    | GAUGE NG SW | NEEDLE HOLDER | UPPER KNIFE | LOWER KNIFE | NEEDLE (FRONT) | GUARD (REAR) | NEEDLE    |
|-----------------------|-------------|---------------|-------------|-------------|----------------|--------------|-----------|
|                       |             |               |             |             |                |              |           |
| 9752-133FA2 /14-363-N | 2           | 211360        | 201121A     | 202295      | 212781         | 210724       | DCX27 #11 |
|                       | 4           | "             | "           | "           | "              | "            | "         |
| 9752-141FA2 /04-463-W | 2           | 211358        | 201121A     | 202295      | 212781         | 210724       | DCX27 #11 |
|                       | 4           | "             | "           | "           | "              | "            | "         |
| 9752-142FA2 /14-463-W | 2           | 211360        | 201121A     | 202295      | 212781         | 210724       | DCX27 #11 |
|                       | 4           | "             | "           | "           | "              | "            | "         |
| 9752-1463-W /12-463-W | 2           | "             | "           | "           | "              | "            | "         |
|                       | 4           | "             | "           | "           | "              | "            | "         |

GAUGE PARTS LIST (3)

| MACHINE TYPE SPEC.                                       | GAUGE NG SW | NEEDLE PLATE | MAIN FEED DOG COMP. | DIFF. FEED DOG | TOP FEED DOG | PRESSER BODY | FOOT FINGER | FOR 512 ONLY |              |              |              |
|--|-------------|--------------|---------------------|----------------|--------------|--------------|-------------|--------------|--------------|--------------|--------------|
|  |             |              |                     |                |              |              |             | UPPER LOOPER | LOWER LOOPER | UPPER LOOPER | LOWER LOOPER |
| 9752-142FB2/S1(S2)<br>/14-463-W/KL100<br>/12-463-W/KL100 | 2           | 210804       | 210574-BF           | 212572-BF      | 212677-10F   | 212673A30    | ----        | 211719       | 212215       | 211844       | 212215       |
|  | 2           | 210805       | "                   | "              | "            | " A40        | ----        | " #38        | "            | " #42        | "            |
|  | 2           | 210806       | "                   | "              | "            | " A50        | ----        | "            | "            | "            | "            |
| 9752-243FD2<br>/14-463-W/KL100<br>/12-463-W/KL100        | 2           | 210804       | 210574-BF           | 212572-BF      | 212677-10F   | 212673A30    | ----        | 211719       | 212215       | 211844       | 212215       |
|  | 2           | 210805       | "                   | "              | "            | " A40        | ----        | " #38        | "            | " #42        | "            |
|  | 2           | 210806       | "                   | "              | "            | " A50        | ----        | "            | "            | "            | "            |
| 9752-245FD2<br>/14-363-W/KL100<br>/12-363-W/KL100        | 2           | 210804       | 210574-BF           | 212572-BF      | 212677-10F   | 212673A30    | ----        | 210365       | 212644       | 211507       | 212644       |
|  | 2           | 210805       | "                   | "              | "            | " A40        | ----        | " #24        | "            | "            | "            |
|  | 2           | 210806       | "                   | "              | "            | " A50        | ----        | "            | "            | " #36        | "            |

| MACHINE TYPE SPEC.                                | GAUGE NG SW | NEEDLE HOLDER | UPPER KNIFE | LOWER KNIFE | NEEDLE (FRONT) | GUARD (REAR) | NEEDLE    |
|---|-------------|---------------|-------------|-------------|----------------|--------------|-----------|
|   |             |               |             |             |                |              |           |
| 9752-243FD2<br>/14-463-W/KL100<br>/12-463-W/KL100 | 2           | 211360        | 201121A     | 202295      | 212781         | 210724       | DCX27 #11 |
|   | 2           | "             | "           | "           | "              | "            | "         |
|   | 2           | "             | "           | "           | "              | "            | "         |
| 9752-245FD2<br>/14-363-W/KL100<br>/12-363-W/KL100 | 2           | 211360        | 201121A     | 202295      | 212781         | 210724       | DCX27 #11 |
|   | 2           | "             | "           | "           | "              | "            | "         |
|   | 2           | "             | "           | "           | "              | "            | "         |



GAUGE PARTS LIST (4)

| MACHINE TYPE SPEC.  | GAUGE NG / SW | NEEDLE PLATE | MAIN FEED DOG COMP. | DIFF. FEED DOG | TOP FEED DOG | PRESSER BODY | FOOT FINGER  |              | UPPER LOOPER | LOWER LOOPER | FOR S12 ONLY |              |
|---|---------------|--------------|---------------------|----------------|--------------|--------------|--------------|--------------|--------------|--------------|--------------|--------------|
|   |               |              |                     |                |              |              | UPPER LOOPER | LOWER LOOPER |              |              | UPPER LOOPER | LOWER LOOPER |
| 9752-253FB2/S1(S2)<br>/14-493-W/KL100<br>/12-493-W/KL100  | 2 3           | 212730-30    | 213567-16F          | 213550-13F     | 212677A10F   | 212673B30    | ---          | ---          | 211720       | 212215A      | 211844       | 212215       |
|   | 2 4           | " -40        | "                   | "              | "            | B40          | ---          | ---          | " #40        | "            | " #42        | "            |
|   | 2 5           | " -50        | "                   | "              | "            | B50          | ---          | ---          | "            | "            | "            | "            |
|   | 2 52-5        | 212731-25    | "                   | "              | "            | 212778B25    | ---          | ---          | "            | "            | "            | "            |
|   | 2 53-5        | " -35        | "                   | "              | "            | B35          | ---          | ---          | "            | "            | "            | "            |
| 9752-253FB2K/S1(S2)<br>/14-493-W/KL100<br>/12-493-W/KL100 | 2 3           | 212730-30    | 213567-16F          | 213550-13F     | 212677A10F   | 212673B30    | ---          | ---          | 211720       | 212215A      | 211844       | 212215       |
|   | 2 4           | " -40        | "                   | "              | "            | B40          | ---          | ---          | " #40        | "            | " #42        | "            |
|   | 2 5           | " -50        | "                   | "              | "            | B50          | ---          | ---          | "            | "            | "            | "            |
|   | 2 52-5        | 212731-25    | "                   | "              | "            | 212778B25    | ---          | ---          | "            | "            | "            | "            |
|   | 2 53-5        | " -35        | "                   | "              | "            | B35          | ---          | ---          | "            | "            | "            | "            |

| MACHINE TYPE SPEC.  | GAUGE NG / SW | NEEDLE HOLDER | UPPER KNIFE | LOWER KNIFE | NEEDLE (FRONT) | GUARD (REAR) | NEEDLE    |
|---|---------------|---------------|-------------|-------------|----------------|--------------|-----------|
|   |               |               |             |             |                |              |           |
|   | 2 4           | "             | "           | "           | "              | "            | "         |
|   | 2 5           | "             | "           | "           | "              | "            | "         |
|   | 2 52-5        | 211361        | "           | "           | "              | "            | "         |
|   | 2 53-5        | "             | "           | "           | "              | "            | "         |
|   | 2 54-5        | "             | "           | "           | "              | "            | "         |
|   | 3 3           | 211362        | "           | "           | "              | "            | "         |
|   | 3 4           | "             | "           | "           | "              | "            | "         |
|   | 3 5           | "             | "           | "           | "              | "            | "         |
| 9752-253FB2K/S1(S2)<br>/14-493-W/KL100<br>/12-493-W/KL100 | 2 3           | 211360        | 211771      | 202295      | 212781         | 210724       | DCX27 #11 |
|   | 2 4           | "             | "           | "           | "              | "            | "         |
|   | 2 5           | "             | "           | "           | "              | "            | "         |
|   | 2 52-5        | 211361        | "           | "           | "              | "            | "         |
|   | 2 53-5        | "             | "           | "           | "              | "            | "         |

GAUGE PARTS LIST (5)

| MACHINE TYPE SPEC.                           | GAUGE NG SW | NEEDLE PLATE | MAIN FEED DOG COMP. | DIFF. FEED DOG | TOP FEED DOG | PRESSER BODY | FOOT FINGER | FOR 512 ONLY |              |              |              |
|--|-------------|--------------|---------------------|----------------|--------------|--------------|-------------|--------------|--------------|--------------|--------------|
|  |             |              |                     |                |              |              |             | UPPER LOOPER | LOWER LOOPER | UPPER LOOPER | LOWER LOOPER |
| 9752-350FC2/P1(P2)<br>/04-453-W              | 5           | 210801       | 212759-16F          | 212740-13F     | 212677-10F   | 212736-50    | -----       | 211719 #38   | 212215       | -----        | -----        |
| 9752-351FC2/P1(P2)<br>/14-453-W<br>/12-453-W | 2 4         | 210809       | 212759-16F          | 212740-13F     | 212677-10F   | 212738-40    | -----       | 211719 #38   | 212215       | 211844 #42   | 212215       |
| 9752-352FC2/P1(P2)<br>/14-353-W<br>/12-353-W | 2 4         | 210809       | 212759-16F          | 212740-13F     | 212677-10F   | 212738-40    | -----       | 210365 #24   | 212644       | 211507 #36   | 212644       |

| MACHINE TYPE SPEC.                           | GAUGE NG SW | NEEDLE HOLDER | UPPER KNIFE | LOWER KNIFE | NEEDLE (FRONT) | GUARD (REAR) | NEEDLE    |
|--|-------------|---------------|-------------|-------------|----------------|--------------|-----------|
|  |             |               |             |             |                |              |           |
| 9752-351FC2/P1(P2)<br>/14-453-W<br>/12-453-W | 2 4         | 211360        | 201121A     | 202295      | 212781         | 210724       | DCX27 #11 |
| 9752-352FC2/P1(P2)<br>/14-353-W<br>/12-353-W | 2 4         | 211360        | 201121A     | 202295      | 212781         | 210724       | DCX27 #11 |

GAUGE PARTS LIST (6)

| MACHINE TYPE SPEC.                    | GAUGE NG/ SW | NEEDLE PLATE | MAIN FEED DOG COMP. | DIFF. FEED DOG | TOP FEED DOG | PRESSER BODY | FOOT FINGER |       | UPPER LOOPER | LOWER LOOPER | FOR 512 ONLY |              |
|---------------------------------------|--------------|--------------|---------------------|----------------|--------------|--------------|-------------|-------|--------------|--------------|--------------|--------------|
|                                       |              |              |                     |                |              |              | UPPER       | LOWER |              |              | UPPER LOOPER | LOWER LOOPER |
| 9752-130FA3<br>/04-363-N              | 3            | 210795       | 210574-3F           | 212572-8F      | 212768-10F   | 212764-30    | ---         | ---   | 210366       | 212644       | ---          | ---          |
|                                       | 4            | 210796       | "                   | "              | "            | -40          | ---         | ---   | " #26        | "            | ---          | ---          |
|                                       | 5            | 210797       | "                   | "              | "            | -50          | ---         | ---   | "            | "            | ---          | ---          |
| 9752-133FA3<br>/14-363-N<br>/12-363-N | 2            | 210804       | 210574-8F           | 212572-8F      | 212768-10F   | 212766-30    | ---         | ---   | 210365       | 212644       | ---          | 212644       |
|                                       | 4            | 210805       | "                   | "              | "            | -40          | ---         | ---   | " #24        | "            | ---          | "            |
|                                       | 5            | 210806       | "                   | "              | "            | -50          | ---         | ---   | "            | "            | ---          | "            |
| 9752-141FA3<br>/04-463-W              | 3            | 210795       | 210574-8F           | 212572-8F      | 212768-10F   | 212764-30    | ---         | ---   | 211719       | 212215       | ---          | ---          |
|                                       | 4            | 210796       | "                   | "              | "            | -40          | ---         | ---   | " #38        | "            | ---          | ---          |
|                                       | 5            | 210797       | "                   | "              | "            | -50          | ---         | ---   | "            | "            | ---          | ---          |
| 9752-142FA3<br>/14-463-W<br>/12-463-W | 2            | 210804       | 210574-3F           | 212572-8F      | 212768-10F   | 212766-30    | ---         | ---   | 211719       | 212215       | ---          | 212215       |
|                                       | 4            | 210805       | "                   | "              | "            | -40          | ---         | ---   | " #38        | "            | ---          | "            |
|                                       | 5            | 210806       | "                   | "              | "            | -50          | ---         | ---   | "            | "            | ---          | "            |

| MACHINE TYPE SPEC.                    | GAUGE NG/ SW | NEEDLE HOLDER    | UPPER KNIFE       | LOWER KNIFE           | NEEDLE (FRONT)   | GUARD (REAR)     | NEEDLE       |
|---------------------------------------|--------------|------------------|-------------------|-----------------------|------------------|------------------|--------------|
|                                       |              |                  |                   |                       |                  |                  |              |
| 9752-133FA3<br>/14-363-N<br>/12-363-N | 2<br>2<br>2  | 211360<br>"<br>" | 201121A<br>"<br>" | 202295<br>"<br>"      | 212781<br>"<br>" | 210724<br>"<br>" | DCX27<br>#11 |
| 9752-141FA3<br>/04-463-W              | 3<br>4<br>5  | 211358<br>"<br>" | 201121A<br>"<br>" | 201127<br>202295<br>" | 212781<br>"<br>" | 210724<br>"<br>" | DCX27<br>#11 |
| 9752-142FA3<br>/14-463-W<br>/12-463-W | 2<br>2<br>2  | 211360<br>"<br>" | 201121A<br>"<br>" | 202295<br>"<br>"      | 212781<br>"<br>" | 210724<br>"<br>" | DCX27<br>#11 |

GAUGE PARTS LIST (7)

| MACHINE TYPE SPEC.                 | GAUGE NG/SM | NEEDLE PLATE | MAIN FEED DOG COMP. | DIFF. FEED DOG | TOP FEED DOG | PRESSER BODY | FOOT FINGER | FOR 512 ONLY |              |
|------------------------------------|-------------|--------------|---------------------|----------------|--------------|--------------|-------------|--------------|--------------|
|                                    |             |              |                     |                |              |              |             | UPPER LOOPER | LOWER LOOPER |
| 9752-210FE3 /05-323-N              | 4           | 210784       | 210569-BF           | 212704-13F     | 212763-10F   | 212761-40    | -----       | 210366 #26   | 212644       |
| 9752-243FD3 /14-463-W/KL100        | 2           | 210804       | 210574-BF           | 212572-BF      | 212768-10F   | 212766A30    | -----       | 211719 #38   | 212215       |
| 9752-243FD3 /12-463-W/KL100        | 2           | 210806       | "                   | "              | "            | " A50        | -----       | " #42        | "            |
| 9752-243FD4/P1(P2) /14-463-W/KL100 | 2           | 210804       | 210574-BF           | 212572-BF      | 212768-10F   | 212766-30    | -----       | 211719 #38   | 212215       |
| 9752-243FD3 /12-463-W/KL100        | 2           | 210805       | "                   | "              | "            | " -40        | -----       | " #42        | "            |
| 9752-243FD3 /12-463-W/KL100        | 2           | 210806       | "                   | "              | "            | " -50        | -----       | "            | "            |
| 9752-245FD3 /14-363-W/KL100        | 2           | 210804       | 210574-BF           | 212572-6F      | 212768-10F   | 212766A30    | -----       | 210365 #24   | 212644       |
| 9752-245FD3 /12-363-W/KL100        | 2           | 210805       | "                   | "              | "            | " A40        | -----       | " #36        | "            |
| 9752-245FD3 /12-363-W/KL100        | 2           | 210806       | "                   | "              | "            | " A50        | -----       | "            | "            |

| MACHINE TYPE SPEC.                 | GAUGE NG/SM | NEEDLE HOLDER | UPPER KNIFE | LOWER KNIFE | NEEDLE (FRONT) | GUARD (REAR) | NEEDLE    |
|------------------------------------|-------------|---------------|-------------|-------------|----------------|--------------|-----------|
|                                    |             |               |             |             |                |              |           |
| 9752-243FD3 /14-463-W/KL100        | 2           | 211360        | 201121A     | 202295      | 212781         | 210724       | DCX27 #11 |
| 9752-243FD3 /12-463-W/KL100        | 2           | "             | "           | "           | "              | "            | DCX27 #11 |
| 9752-243FD4/P1(P2) /14-463-W/KL100 | 2           | 211360        | 201121A     | 202295      | 212781         | 210724       | DCX27 #11 |
| 9752-243FD3 /12-463-W/KL100        | 2           | "             | "           | "           | "              | "            | DCX27 #11 |
| 9752-245FD3 /14-363-W/KL100        | 2           | 211360        | 201121A     | 202295      | 212781         | 210724       | DCX27 #11 |
| 9752-245FD3 /12-363-W/KL100        | 2           | "             | "           | "           | "              | "            | DCX27 #11 |

GAUGE PARTS LIST (8)

| MACHINE TYPE SPEC.           | GAUGE NG/ SW | NEEDLE PLATE | MAIN FEED DOG COMP. | DIFF. DOG FEED DOG | TOP FEED DOG | PRESSER BODY | FOOT FINGER | UPPER LOOPER | LOWER LOOPER | FOR S12 ONLY |              |
|------------------------------|--------------|--------------|---------------------|--------------------|--------------|--------------|-------------|--------------|--------------|--------------|--------------|
|                              |              |              |                     |                    |              |              |             |              |              | UPPER LOOPER | LOWER LOOPER |
| 9752-1418A2 /04-463-W        | 4            | 210796       | 210574-BF           | 210445-BF          | 212181-BF    | 212133       | 210371      | 211719 #38   | 212215       | ---          | ---          |
|                              | 5            | 210797       | "                   | "                  | "            | "            | "           | "            | "            | ---          | ---          |
| 9752-1428A2 /14-463-W        | 2            | 210804       | 210574-BF           | 210445-BF          | 212181-BF    | 212133       | 210503      | 211719 #38   | 212215       | 211844 #42   | 212215       |
|                              | 2            | 210805       | "                   | "                  | "            | "            | 210374      | "            | "            | "            | "            |
| 9752-3508C2/P1(P2) /04-453-W | 2            | 210806       | "                   | "                  | "            | "            | "           | "            | "            | ---          | ---          |
|                              | 5            | 210801       | 212759-16F          | 211929-BF          | 212070-BF    | 212068       | 211874-TA   | 211719 #38   | 212215       | ---          | ---          |
| 9752-3518C2/P1(P2) /14-453-W | 2            | 210809       | 212759-16F          | 211929-BF          | 212070-BF    | 212068       | 211875-TA   | 211719 #38   | 212215       | 211844 #42   | 212215       |
|                              | 4            |              |                     |                    |              |              |             |              |              |              |              |

| MACHINE TYPE SPEC.           | GAUGE NG/ SW | NEEDLE HOLDER | UPPER KNIFE | LOWER KNIFE | NEEDLE (FRONT) | GUARD (REAR) | NEEDLE    |
|------------------------------|--------------|---------------|-------------|-------------|----------------|--------------|-----------|
|                              |              |               |             |             |                |              |           |
| 9752-1428A2 /14-463-W        | 2            | 211360        | 201121A     | 202295      | 212781         | 210724       | DCX27 #11 |
|                              | 2            | "             | "           | "           | "              | "            | "         |
| 9752-3508C2/P1(P2) /04-453-W | 2            | "             | "           | "           | "              | "            | "         |
|                              | 5            | 211358        | 201121A     | 202295      | 212781         | 210724       | DCX27 #11 |
| 9752-3518C2/P1(P2) /14-453-W | 2            | 211360        | 201121A     | 202295      | 212781         | 210724       | DCX27 #11 |
|                              | 4            |               |             |             |                |              |           |

INDEX

| PART NO. | PFAFF-NO      | PAGE | NO. REF. | PART NO. | PFAFF-NO      | PAGE | NO. REF. | PART NO. | PFAFF-NO      | PAGE | NO. REF. |
|----------|---------------|------|----------|----------|---------------|------|----------|----------|---------------|------|----------|
| DCX27    |               | 68   |          | 1175-2   | 09-009 048-13 | 37   | 13       | 4803     | 09-009 612-30 | 53   | 25       |
| DCX27    |               | 69   |          | 1175-2   | 09-009 048-13 | 43   | 26       | 4803     | 09-009 612-30 | 53   | 29       |
| DCX27    |               | 70   |          | 1175-3   | 09-009 048-14 | 9    | 29       | 4803     | 09-009 612-30 | 53   | 8        |
| DCX27    |               | 71   |          | 1196     | 09-009 048-16 | 43   | 36       | 4803     | 09-009 612-30 | 53   | 22       |
| DCX27    |               | 72   |          | 1202     | 09-009 048-17 | 9    | 39       | 4803     | 09-009 612-30 | 53   | 29       |
| DCX27    |               | 73   |          | 1202     | 09-009 048-17 | 47   | 19       | 4803     | 09-009 612-30 | 53   | 22       |
| DCX27    |               | 74   |          | 1202     | 09-009 048-17 | 47   | 26       | 4805     | 09-400 065-00 | 45   | 24       |
| DCX27    |               | 75   |          | 1216     | 09-009 048-20 | 9    | 24       | 4805     | 09-400 065-00 | 53   | 18       |
| 127      | 91-029 007-91 | 51   | 11       | 1216     | 09-009 048-20 | 9    | 44       | 4805     | 09-400 065-00 | 53   | 34       |
| 128      | 91-029 480-91 | 51   | 12       | 1227     | 09-009 804-05 | 33   | 33       | 4805     | 09-400 065-00 | 53   | 18       |
| 131      | 09-009 815-08 | 51   | 16       | 1231     | 09-009 048-09 | 19   | 27       | 4805     | 09-400 065-00 | 53   | 34       |
| 153      | 09-009 819-55 | 51   | 15       | 1231     | 09-009 048-09 | 23   | 25       | 4806     | 09-009 807-13 | 43   | 9        |
| 178      | 09-009 600-03 | 51   | 5        | 1234     | 09-009 048-23 | 43   | 32       | 4818     | 09-009 732-56 | 47   | 37       |
| 179      | 09-009 071-00 | 51   | 14       | 1333     | 09-009 048-27 | 35   | 57       | 4904     | 09-009 612-31 | 49   | 12       |
| 200      | 09-009 815-07 | 51   | 10       | 1435     | 09-009 048-63 | 7    | 25       | 4906     | 09-009 807-14 | 45   | 12       |
| 233-CA   | 09-009 619-24 | 53   | 23       | 1448     | 09-009 054-64 | 13   | 9        | 4906     | 09-009 807-14 | 45   | 15       |
| 233-CA   | 09-009 619-24 | 53   | 23       | 1457     | 09-009 048-64 | 15   | 7        | 4906     | 09-009 807-14 | 49   | 16       |
| 272      | 09-009 612-01 | 49   | 31       | 1457     | 09-009 048-66 | 39   | 8        | 4908     | 09-009 732-57 | 47   | 39       |
| 282      | 09-009 048-05 | 51   | 6        | 1458     | 09-009 048-66 | 39   | 25       | 5012     | 09-009 065-32 | 7    | 6        |
| 284      | 09-009 048-25 | 51   | 7        | 1459     | 09-009 053-73 | 7    | 26       | 5012     | 09-009 065-32 | 9    | 48       |
| 285      | 09-009 048-26 | 51   | 8        | 1459     | 09-009 053-73 | 11   | 3        | 5012     | 09-009 065-32 | 19   | 43       |
| 293B     | 09-400 769-00 | 53   | 27       | 1459     | 09-009 053-73 | 11   | 18       | 5012     | 09-009 065-32 | 41   | 7        |
| 293B     | 09-400 769-00 | 53   | 27       | 1459     | 09-009 053-73 | 35   | 33       | 5022     | 09-009 068-68 | 15   | 12       |
| 293C     | 09-400 770-00 | 53   | 26       | 1459     | 09-009 053-73 | 43   | 12       | 5022     | 09-009 068-68 | 17   | 29       |
| 293C     | 09-400 770-00 | 53   | 26       | 1732     | 09-009 048-67 | 25   | 44       | 5029     | 09-009 053-59 | 13   | 8        |
| 322      | 09-009 815-06 | 51   | 9        | 1998-2   | 09-009 048-69 | 21   | 6        | 5029     | 09-009 053-59 | 35   | 44       |
| 380A     | 09-009 807-04 | 53   | 6        | 1998-2   | 09-009 048-69 | 21   | 17       | 5030     | 09-009 053-60 | 35   | 29       |
| 380A     | 09-009 807-04 | 53   | 6        | 1998-2   | 09-009 048-69 | 31   | 25       | 5030     | 09-009 053-60 | 35   | 59       |
| 381-CA   | 09-009 612-14 | 53   | 9        | 2133-1   | 09-009 053-36 | 3    | 6        | 5050     | 09-009 732-58 | 13   | 24       |
| 381-CA   | 09-009 612-14 | 53   | 9        | 2133-1   | 09-009 053-36 | 3    | 8        | 5053     | 09-009 053-62 | 31   | 12       |
| 382-CA   | 09-009 815-13 | 53   | 11       | 2133-1   | 09-009 053-36 | 27   | 13       | 5053     | 09-009 053-62 | 47   | 8        |
| 382-CA   | 09-009 815-13 | 53   | 11       | 2133-1   | 09-009 053-36 | 29   | 20       | 5059     | 09-009 612-34 | 15   | 26       |
| 383-CA   | 09-009 815-16 | 53   | 19       | 2193     | 09-009 053-37 | 19   | 18       | 5060     | 09-009 053-64 | 9    | 22       |
| 383-CA   | 09-009 815-16 | 53   | 19       | 2193     | 09-009 053-37 | 23   | 18       | 5060     | 09-009 053-64 | 15   | 33       |
| 384      | 09-009 612-17 | 53   | 20       | 2193     | 09-009 053-37 | 25   | 5        | 5060     | 09-009 053-64 | 37   | 4        |
| 384      | 09-009 612-17 | 53   | 20       | 2193     | 09-009 053-37 | 35   | 27       | 5060     | 09-009 053-64 | 39   | 4        |
| 386      | 09-009 612-19 | 53   | 36       | 2285B    | 09-009 823-61 | 35   | 2        | 5077     | 09-009 054-69 | 43   | 39       |
| 386      | 09-009 612-19 | 53   | 36       | 2902     | 09-009 053-42 | 19   | 30       | 5077     | 09-009 054-69 | 43   | 41       |
| 403      | 09-009 732-44 | 47   | 29       | 2902     | 09-009 053-42 | 27   | 44       | 5078     | 09-009 053-69 | 5    | 3        |
| 404      | 09-009 732-45 | 47   | 31       | 2902     | 09-009 053-42 | 33   | 4        | 5082A    | 09-009 053-74 | 17   | 8        |
| 405      | 09-009 732-46 | 47   | 35       | 2905     | 09-009 823-33 | 7    | 30       | 5082A    | 09-009 053-74 | 19   | 8        |
| 406      | 09-009 732-47 | 47   | 30       | 2905     | 09-009 823-33 | 9    | 15       | 5082A    | 09-009 053-74 | 23   | 8        |
| 407      | 09-009 732-48 | 47   | 33       | 2905     | 09-009 823-33 | 9    | 17       | 5084     | 09-009 053-76 | 25   | 32       |
| 408      | 09-009 732-49 | 47   | 34       | 2905     | 09-009 823-33 | 9    | 46       | 5084     | 09-009 053-76 | 27   | 15       |
| 409      | 09-009 732-50 | 47   | 34       | 2905     | 09-009 823-33 | 19   | 12       | 5084     | 09-009 053-76 | 33   | 18       |
| 410-JA   | 09-009 813-01 | 47   | 38       | 2905     | 09-009 823-33 | 25   | 46       | 5088     | 09-009 053-80 | 33   | 6        |
| 413      | 09-009 732-52 | 47   | 28       | 2905     | 09-009 823-33 | 29   | 37       | 5088     | 09-009 053-80 | 47   | 16       |
| 414      | 09-009 732-53 | 51   | 13       | 2905     | 09-009 823-33 | 31   | 4        | 5089     | 09-009 053-81 | 29   | 32       |
| 453      | 09-009 734-78 | 51   | 2        | 2905     | 09-009 823-33 | 37   | 40       | 5089     | 09-009 053-81 | 35   | 23       |
| 470      | 09-009 807-07 | 49   | 28       | 2905     | 09-009 823-33 | 39   | 53       | 5089     | 09-009 053-81 | 35   | 55       |
| 471      | 09-009 807-08 | 49   | 29       | 2905     | 09-009 823-33 | 43   | 4        | 5091     | 09-009 067-20 | 25   | 53       |
| 480      | 09-009 815-09 | 51   | 17       | 2906     | 09-009 612-23 | 47   | 11       | 5091     | 09-009 067-20 | 41   | 3        |
| 482      | 09-400 028-00 | 51   | 21       | 2913-1   | 09-009 054-67 | 5    | 27       | 5094     | 09-009 053-82 | 33   | 24       |
| 484      | 09-400 029-00 | 51   | 4        | 2921     | 09-009 053-46 | 35   | 25       | 5095     | 09-009 053-83 | 9    | 5        |
| 485      | 09-400 030-00 | 51   | 3        | 2921     | 09-009 053-46 | 35   | 51       | 5095     | 09-009 053-83 | 37   | 14       |
| 486B9C   | 09-400 773-00 | 53   |          | 2921     | 09-009 053-46 | 43   | 44       | 5095     | 09-009 053-83 | 39   | 23       |
| 486B9C   | 09-400 773-00 | 53   |          | 2921     | 09-009 053-46 | 43   | 48       | 5095     | 09-009 053-83 | 39   | 13       |
| 486C9C   | 09-400 774-00 | 53   |          | 3044     | 09-009 053-49 | 7    | 16       | 5104     | 09-009 600-23 | 43   | 24       |
| 486C9C   | 09-400 774-00 | 53   |          | 3044     | 09-009 053-49 | 31   | 9        | 5104     | 09-009 600-23 | 49   | 21       |
| 502-CA   | 09-009 815-14 | 53   | 15       | 3044     | 09-009 053-49 | 35   | 9        | 5111     | 09-009 807-16 | 43   | 6        |
| 502-CA   | 09-009 815-14 | 53   | 15       | 3044     | 09-009 053-49 | 45   | 8        | 5113     | 09-009 054-70 | 37   | 48       |
| 503-CA   | 09-009 815-12 | 53   | 1        | 3044     | 09-009 053-49 | 47   | 6        | 5113     | 09-009 054-70 | 39   | 62       |
| 503-CA   | 09-009 815-12 | 53   | 1        | 3091     | 09-009 053-50 | 7    | 20       | 5117     | 09-009 053-88 | 5    | 24       |
| 504-CA   | 09-400 779-00 | 53   | 16       | 3091     | 09-009 053-50 | 43   | 20       | 5117     | 09-009 053-88 | 9    | 9        |
| 504-CA   | 09-400 779-00 | 53   | 16       | 4009-1   | 09-009 053-53 | 5    | 17       | 5117     | 09-009 053-88 | 13   | 19       |
| 505-CA   | 09-400 781-00 | 53   | 4        | 4009-1   | 09-009 053-53 | 7    | 10       | 5117     | 09-009 053-88 | 17   | 13       |
| 505-CA   | 09-400 781-00 | 53   | 4        | 4009-1   | 09-009 053-53 | 7    | 34       | 5117     | 09-009 053-88 | 25   | 36       |
| 505ACA   | 09-400 780-00 | 53   | 5        | 4009-1   | 09-009 053-53 | 9    | 42       | 5117     | 09-009 053-88 | 25   | 42       |
| 505ACA   | 09-400 780-00 | 53   | 5        | 4009-1   | 09-009 053-53 | 19   | 48       | 5117     | 09-009 053-88 | 29   | 4        |
| 506      | 09-400 782-00 | 53   | 32       | 4009-1   | 09-009 053-53 | 27   | 11       | 5117     | 09-009 053-88 | 31   | 2        |
| 506      | 09-400 782-00 | 53   | 32       | 4009-1   | 09-009 053-53 | 33   | 22       | 5117     | 09-009 053-88 | 33   | 30       |
| 507      | 09-400 783-00 | 53   | 10       | 4012     | 09-009 053-53 | 45   | 6        | 5117     | 09-009 053-88 | 35   | 37       |
| 509      | 09-400 783-00 | 53   | 10       | 4012     | 09-009 612-25 | 47   | 32       | 5117     | 09-009 053-88 | 37   | 46       |
| 509      | 09-400 784-00 | 53   | 2        | 4012     | 09-009 612-25 | 53   | 24       | 5117     | 09-009 053-88 | 39   | 10       |
| 509      | 09-400 784-00 | 53   | 2        | 4012     | 09-009 612-25 | 53   | 28       | 5117     | 09-009 053-88 | 39   | 60       |
| 512      | 09-400 785-00 | 53   | 13       | 4012     | 09-009 612-25 | 53   | 24       | 5118     | 09-009 053-89 | 25   | 49       |
| 512      | 09-400 785-00 | 53   | 13       | 4012     | 09-009 612-25 | 53   | 28       | 5118     | 09-009 053-89 | 37   | 21       |
| 527-CA   |               | 53   | 30       | 4014     | 09-009 612-27 | 53   | 21       | 5118     | 09-009 053-89 | 39   | 17       |
| 527-CA   |               | 53   | 30       | 4014     | 09-009 612-27 | 53   | 21       | 5118     | 09-009 053-89 | 43   | 15       |
| 527ACA   |               | 53   | 31       | 4021     | 09-400 786-00 | 53   | 17       | 5118     | 09-009 053-89 | 47   | 12       |
| 527ACA   |               | 53   | 31       | 4021     | 09-400 786-00 | 53   | 17       | 5137     | 09-009 053-91 | 17   | 9        |
| 908      | 09-400 032-00 | 51   | 1        | 4022     | 09-400 787-00 | 53   | 14       | 51388    | 09-009 067-17 | 37   | 43       |
| 1174     | 09-009 067-44 | 7    | 19       | 4022     | 09-400 787-00 | 53   | 35       | 51388    | 09-009 067-17 | 39   | 56       |
| 1174     | 09-009 067-44 | 15   | 36       | 4022     | 09-400 787-00 | 53   | 14       | 5142     | 09-009 053-94 | 5    | 22       |
| 1174     | 09-009 067-44 | 47   | 43       | 4022     | 09-400 787-00 | 53   | 35       | 5142     | 09-009 053-94 | 9    | 11       |
| 1175-2   | 09-009 048-13 | 23   | 31       | 4117     | 09-400 787-00 | 53   | 33       | 5145     | 09-009 600-26 | 37   | 15       |
| 1175-2   | 09-009 048-13 | 27   | 25       | 4117     | 09-400 787-00 | 53   | 33       | 5146     | 09-009 053-95 | 5    | 11       |
| 1175-2   | 09-009 048-13 | 27   | 30       | 4512     | 09-400 788-00 | 49   | 5        |          |               |      |          |

INDEX

| PART NO. | PFAFF-NO      | PAGE | NO. REF. | PART NO.   | PFAFF-NO      | PAGE | NO. REF. | PART NO.  | PFAFF-NO      | PAGE | NO. REF. |
|----------|---------------|------|----------|------------|---------------|------|----------|-----------|---------------|------|----------|
| 5184     | 09-009 054-02 | 47   | 4        | 5497       | 09-009 612-60 | 13   | 4        | 201880    | 09-009 813-83 | 17   | 11       |
| 5198     | 09-009 054-04 | 9    | 2        | 5501       | 09-009 618-31 | 17   | 37       | 202045    | 12-500 190-45 | 37   | 49       |
| 5205     | 09-009 069-93 | 27   | 42       | 5501       | 09-009 618-31 | 17   | 40       | 202045    | 12-500 190-45 | 39   | 63       |
| 5231     | 09-009 054-77 | 27   | 35       | 5503       | 09-009 732-59 | 35   | 8        | 202058    | 09-009 601-63 | 45   | 25       |
| 5238     | 09-009 067-49 | 29   | 22       | 5504       | 09-009 804-07 | 33   | 36       | *202174   | 09-009 612-71 | 15   | 17       |
| 5276     | 09-009 601-09 | 49   | 23       | 5515       | 09-009 807-19 | 43   | 19       | *202174   | 09-009 612-71 | 15   | 23       |
| 5282     | 09-009 612-36 | 19   | 33       | 5519       | 09-009 732-60 | 19   | 14       | *202174   | 09-009 612-71 | 19   | 45       |
| 5284     | 09-009 067-39 | 21   | 3        | 5519       | 09-009 732-60 | 23   | 12       | *202174   | 09-009 612-71 | 21   | 11       |
| 5284     | 09-009 067-39 | 21   | 14       | 5522       | 09-009 732-61 | 13   | 25       | *202174   | 09-009 612-71 | 21   | 22       |
| 5292     | 09-009 064-89 | 9    | 36       | 5523       | 09-009 732-62 | 13   | 23       | *202175   | 09-009 601-64 | 5    | 6        |
| 5292     | 09-009 064-89 | 15   | 16       | 5534       | 09-009 807-20 | 49   | 27       | *202175   | 09-009 601-64 | 15   | 9        |
| 5292     | 09-009 064-89 | 15   | 22       | 5535       | 09-009 807-21 | 17   | 15       | *202175   | 09-009 601-64 | 15   | 21       |
| 5292     | 09-009 064-89 | 17   | 22       | 5535       | 09-009 807-21 | 17   | 19       | *202175   | 09-009 601-64 | 19   | 40       |
| 5292     | 09-009 064-89 | 17   | 24       | 5543       | 09-009 807-22 | 45   | 18       | *202176   | 26-536 302-03 | 41   | 10       |
| 5292     | 09-009 064-89 | 19   | 37       | 5543       | 09-009 807-22 | 45   | 21       | 202199    | 17-518 010-51 | 37   | 25       |
| 5292     | 09-009 064-89 | 21   | 10       | 5543       | 09-009 807-22 | 45   | 23       | 202199    | 17-518 010-51 | 39   | 20       |
| 5292     | 09-009 064-89 | 21   | 21       | 5543       | 09-009 807-22 | 45   | 27       | 202199    | 17-518 010-51 | 39   | 28       |
| 5292     | 09-009 064-89 | 25   | 19       | 5543       | 09-009 807-22 | 45   | 31       | 202199    | 17-518 010-51 | 39   | 25       |
| 5292     | 09-009 064-89 | 25   | 56       | 5546       | 09-009 732-64 | 19   | 23       | 202286    | 09-009 051-75 | 19   | 19       |
| 5292     | 09-009 064-89 | 31   | 30       | 5546       | 09-009 732-64 | 23   | 22       | 202286    | 09-009 051-75 | 19   | 24       |
| 5292     | 09-009 064-89 | 35   | 12       | 5568       | 09-009 732-65 | 29   | 28       | 202286    | 09-009 051-75 | 23   | 19       |
| 5292     | 09-009 064-89 | 35   | 21       | 5589       | 09-009 732-66 | 9    | 20       | 202286    | 09-009 051-75 | 23   | 23       |
| 5299     | 09-009 067-14 | 35   | 27       | 5594       | 09-009 732-67 | 31   | 16       | 202286    | 09-009 051-75 | 47   | 13       |
| 5316     | 09-009 601-16 | 25   | 26       | 5594       | 09-009 732-67 | 31   | 27       | 202287A   | 09-009 051-76 | 37   | 44       |
| 5316     | 09-009 601-16 | 31   | 19       | 5594       | 09-009 732-67 | 31   | 27       | 202287A   | 09-009 051-76 | 39   | 57       |
| 5317     | 09-009 601-17 | 27   | 18       | 5594       | 09-009 732-67 | 33   | 14       | *202295   | 09-009 066-42 | 33   | 25       |
| 5328     | 09-009 071-11 | 5    | 10       | 5594       | 09-009 732-67 | 35   | 14       | *202295   | 09-009 066-42 | 51   | 19       |
| 5328     | 09-009 071-11 | 13   | 2        | 5595       | 09-009 732-68 | 5    | 13       | *202295   | 09-009 066-42 | 68   |          |
| 5328     | 09-009 071-11 | 17   | 35       | 5596       | 09-009 732-69 | 35   | 16       | *202295   | 09-009 066-42 | 69   |          |
| 5328     | 09-009 071-11 | 35   | 31       | 5597       | 09-009 732-70 | 29   | 25       | *202295   | 09-009 066-42 | 70   |          |
| 5328     | 09-009 071-11 | 35   | 49       | 5597       | 09-009 732-70 | 33   | 20       | *202295   | 09-009 066-42 | 71   |          |
| 5332A    | 09-009 813-11 | 5    | 28       | 7102       | 09-400 792-00 | 53   | 12       | *202295   | 09-009 066-42 | 72   |          |
| 5345     | 09-009 070-23 | 4    | 12       | 7102       | 09-400 792-00 | 53   | 12       | *202295   | 09-009 066-42 | 73   |          |
| 5346     | 09-009 068-79 | 27   | 9        | 9029       | 09-009 734-85 | 49   | 2        | *202295   | 09-009 066-42 | 74   |          |
| 5346     | 09-009 067-95 | 3    | 11       | 9030       | 09-008 823-63 | 49   | 30       | *202295   | 09-009 066-42 | 75   |          |
| 5357     | 09-009 067-95 | 17   | 33       | 9050       | 09-009 815-93 | 49   | 13       | 202340    | 09-009 612-73 | 33   | 28       |
| 5357     | 09-009 067-95 | 17   | 33       | 137906     | 09-009 068-42 | 7    | 3        | 202451    | 09-009 051-81 | 35   | 24       |
| 5376     | 09-009 612-37 | 11   | 5        | 137906     | 09-009 068-42 | 9    | 40       | 202577    | 09-009 052-61 | 15   | 20       |
| 5376     | 09-009 612-37 | 11   | 7        | 167066     | 09-009 601-53 | 47   | 17       | 202645    | 09-009 054-98 | 35   | 41       |
| 5376     | 09-009 612-37 | 11   | 7        | 167066     | 09-009 601-53 | 47   | 20       | 202647A   | 09-009 065-79 | 35   | 46       |
| 5376     | 09-009 612-37 | 11   | 9        | 167066     | 09-009 601-53 | 47   | 27       | 202875    | 09-009 601-76 | 7    | 7        |
| 5376     | 09-009 612-37 | 11   | 13       | 167066     | 09-009 601-53 | 47   | 44       | 202875    | 09-009 601-76 | 19   | 15       |
| 5376     | 09-009 612-37 | 11   | 20       | *179257-05 | 91-179 257-05 | 37   | 36       | 202875    | 09-009 601-76 | 23   | 13       |
| 5376     | 09-009 612-37 | 11   | 22       | 192130     | 09-009 612-66 | 7    | 14       | 204006    | 09-009 601-82 | 5    | 32       |
| 5376     | 09-009 612-37 | 11   | 24       | 198192     | 09-009 605-10 | 9    | 18       | 204010    | 14-018 570-01 | 13   | 5        |
| 5376     | 09-009 612-37 | 11   | 28       | 200136     | 09-009 054-86 | 37   | 22       | 204052A   | 09-009 064-62 | 25   | 30       |
| 5380     | 09-009 601-47 | 43   | 22       | 200136     | 09-009 054-86 | 39   | 18       | 204052A   | 09-009 064-62 | 31   | 13       |
| 5380     | 09-009 601-47 | 49   | 20       | 200136     | 09-009 054-86 | 39   | 26       | 204084-2  | 09-009 055-52 | 25   | 14       |
| 5408     | 09-009 070-03 | 19   | 35       | 200136     | 09-009 054-86 | 39   | 30       | 204107    | 09-009 067-58 | 23   | 17       |
| 5426     | 09-009 612-38 | 49   | 25       | 200144     | 09-009 612-67 | 39   | 33       | 204114    | 09-009 064-01 | 27   | 33       |
| 5427     | 09-009 611-79 | 25   | 18       | 200149     | 09-009 048-73 | 5    | 14       | 204115    | 09-009 064-02 | 27   | 22       |
| 5434A    | 09-009 823-62 | 5    | 29       | 200152     | 09-009 069-37 | 37   | 24       | 204115    | 09-009 064-02 | 27   | 34       |
| 5437     | 09-009 606-28 | 25   | 12       | 200152     | 09-009 069-37 | 39   | 19       | 204115    | 09-009 064-02 | 29   | 11       |
| 5441     | 09-009 601-52 | 23   | 15       | 200152     | 09-009 069-37 | 39   | 27       | 204115    | 09-009 064-02 | 31   | 34       |
| 5446     | 09-009 807-18 | 17   | 17       | 200152     | 09-009 069-37 | 39   | 31       | 204128A   | 09-009 601-83 | 27   | 14       |
| 5453     | 09-009 612-40 | 47   | 41       | 200155     | 09-009 069-37 | 39   | 34       | 204129A   | 09-009 601-84 | 27   | 12       |
| 5455     | 09-009 612-41 | 27   | 6        | 200155     | 09-009 065-56 | 41   | 9        | 204146    | 09-009 065-81 | 15   | 30       |
| 5457     | 09-009 612-42 | 11   | 11       | 200555     | 09-009 071-03 | 9    | 35       | 204184    | 09-009 067-19 | 39   | 7        |
| 5457     | 09-009 612-42 | 11   | 15       | 200555     | 09-009 071-03 | 43   | 30       | 204185    | 09-009 067-40 | 25   | 3        |
| 5457     | 09-009 612-42 | 11   | 26       | 201002     | 09-009 601-58 | 3    | 9        | 204185    | 09-009 067-40 | 37   | 16       |
| 5457     | 09-009 612-42 | 11   | 30       | 201022     | 09-009 049-09 | 31   | 14       | 204185    | 09-009 067-40 | 39   | 12       |
| 5457     | 09-009 612-42 | 15   | 28       | 201037     | 09-009 049-22 | 17   | 4        | 204274    | 09-009 064-69 | 21   | 8        |
| 5457     | 09-009 612-42 | 25   | 23       | 201056     | 09-009 049-35 | 15   | 6        | 204274    | 09-009 064-69 | 21   | 19       |
| 5457     | 09-009 612-42 | 25   | 28       | 201068     | 09-009 049-44 | 19   | 4        | 204293    | 09-009 602-07 | 13   | 26       |
| 5457     | 09-009 612-42 | 27   | 3        | 201086     | 09-009 049-57 | 23   | 4        | 204319    | 09-009 065-97 | 13   | 3        |
| 5457     | 09-009 612-42 | 27   | 8        | 201089     | 09-009 049-60 | 23   | 11       | 204439A   | 09-009 602-09 | 27   | 17       |
| 5457     | 09-009 612-42 | 33   | 10       | *201121A   | 09-009 050-06 | 33   | 5        | 204466    | 09-009 607-37 | 41   | 4        |
| 5457     | 09-009 612-42 | 35   | 6        | *201121A   | 09-009 050-06 | 68   |          | 204585    | 09-009 602-15 | 45   | 9        |
| 5461     | 09-009 612-44 | 13   | 13       | *201121A   | 09-009 050-06 | 69   |          | 204657    | 09-009 812-08 | 19   | 10       |
| 5461     | 09-009 612-44 | 15   | 31       | *201121A   | 09-009 050-06 | 70   |          | 204657    | 09-009 812-08 | 19   | 36       |
| 5461     | 09-009 612-44 | 25   | 7        | *201121A   | 09-009 050-06 | 71   |          | 204657    | 09-009 812-08 | 23   | 10       |
| 5461     | 09-009 612-44 | 25   | 21       | *201121A   | 09-009 050-06 | 72   |          | 204667    | 09-009 068-19 | 47   | 18       |
| 5461     | 09-009 612-44 | 33   | 12       | *201121A   | 09-009 050-06 | 73   |          | 204737A   | 09-009 824-62 | 13   | 1        |
| 5476     | 09-009 612-45 | 53   | 3        | *201121A   | 09-009 050-06 | 74   |          | 204754A   | 09-009 814-34 | 25   | 31       |
| 5476     | 09-009 612-45 | 53   | 3        | *201121A   | 09-009 050-06 | 75   |          | 204756    | 09-009 068-26 | 25   | 33       |
| 5480     | 09-009 612-47 | 7    | 32       | *201127    | 09-009 054-43 | 33   | 31       | 204757    | 09-009 068-27 | 25   | 34       |
| 5481     | 09-009 612-48 | 35   | 3        | *201127    | 09-009 054-43 | 73   |          | 204888    | 09-009 602-49 | 43   | 23       |
| 5482     | 09-009 612-49 | 5    | 18       | 201156     | 09-009 050-20 | 35   | 54       | 205113A   | 09-009 820-16 | 37   | 23       |
| 5483     | 09-009 612-50 | 7    | 15       | 201185     | 09-009 050-38 | 7    | 11       | 205418    | 09-009 612-76 | 27   | 16       |
| 5484-HC  | 09-009 612-51 | 17   | 31       | 201185     | 09-009 050-38 | 25   | 47       | 205466A   | 09-009 823-66 | 49   | 1        |
| 5485     | 09-009 612-52 | 15   | 3        | 201185     | 09-009 050-38 | 31   | 5        | 205467    | 09-009 603-76 | 49   | 9        |
| 5486     | 09-009 612-53 | 25   | 38       | 201185     | 09-009 050-38 | 41   | 13       | 205468-JA | 09-009 603-77 | 49   | 14       |
| 5486     | 09-009 612-53 | 31   | 7        | 201191     | 09-009 050-43 | 47   | 5        | 205469-JA | 09-009 603-78 | 49   | 15       |
| 5488     | 09-009 612-54 | 23   | 29       | 201252     | 09-009 050-73 | 53   | 7        | 205470-JA | 09-009 815-05 | 49   | 11       |
| 5488     | 09-009 612-55 | 7    | 22       | 201252     | 09-009 050-73 | 5    |          |           |               |      |          |

# INDEX

| PART NO.  | PF AFF-NO     | PAGE | NO.   REF. | PART NO.  | PF AFF-NO     | PAGE | NO.   REF. | PART NO.   | PF AFF-NO     | PAGE | NO.   REF. |
|-----------|---------------|------|------------|-----------|---------------|------|------------|------------|---------------|------|------------|
| 210586    | 09-009 617-44 | 23   | 27         | 211360    | 09-009 732-96 | 70   |            | 212019     | 09-009 733-62 | 29   | 19         |
| 210679    | 09-009 617-74 | 5    | 26         | 211360    | 09-009 732-96 | 71   |            | 212020     | 09-009 733-63 | 29   | 21         |
| 210679    | 09-009 617-74 | 5    | 35         | 211360    | 09-009 732-96 | 72   |            | 212021     | 09-009 733-64 | 29   | 6          |
| 210680    | 09-009 617-75 | 47   | 2          | 211360    | 09-009 732-96 | 73   |            | 212025     | 09-009 733-65 | 29   | 3          |
| 210681    | 09-009 617-76 | 47   | 3          | 211360    | 09-009 732-96 | 74   |            | 212026     | 09-009 733-66 | 29   | 5          |
| 210682    | 09-009 617-77 | 47   | 3          | 211360    | 09-009 732-96 | 75   |            | 212028     | 09-009 733-67 | 27   | 1          |
| 210683    | 09-009 617-78 | 43   | 7          | 211361    | 09-009 801-05 | 71   |            | 212035     | 09-009 733-71 | 31   | 26         |
| 210683    | 09-009 617-78 | 47   | 9          | 211362    | 09-009 801-06 | 71   |            | 212036     | 09-009 733-72 | 29   | 9          |
| 210684    | 09-009 617-79 | 43   | 31         | 211369    | 09-009 732-97 | 37   | 29         | 212037     | 09-009 733-73 | 3    | 22         |
| 210684    | 09-009 617-79 | 47   | 10         | 211369    | 09-009 732-97 | 39   | 40         | 212038     | 09-009 733-74 | 3    | 23         |
| 210685    | 09-009 617-80 | 47   | 1          | 211385    | 09-009 732-98 | 3    | 10         | 212039     | 09-400 152-00 | 31   | 29         |
| 210686    | 09-009 617-81 | 47   | 14         | 211389-CD | 09-009 823-82 | 5    | 9          | 212042     | 09-009 733-78 | 31   | 10         |
| 210687    | 09-009 617-82 | 47   | 15         | 211392    | 09-009 733-04 | 17   | 32         | 212047     | 09-009 733-80 | 35   | 17         |
| 210700    | 09-009 617-93 | 25   | 43         | 211401    | 09-009 734-97 | 23   | 36         | 212048     | 09-009 733-81 | 3    | 7          |
| 210701    | 09-009 732-83 | 39   | 21         | 211507    | 09-009 801-60 | 69   |            | 212049     | 09-009 733-82 | 35   | 18         |
| 210721    | 09-009 618-55 | 19   | 49         | 211507    | 09-009 801-60 | 70   |            | 212050     | 09-009 733-83 | 35   | 5          |
| 210724    | 09-009 618-30 | 17   | 36         | 211507    | 09-009 801-60 | 72   |            | 212052     | 09-009 733-85 | 35   | 13         |
| 210724    | 09-009 618-30 | 68   |            | 211507    | 09-009 801-60 | 73   |            | 212068     | 09-009 733-95 | 75   |            |
| 210724    | 09-009 618-30 | 68   |            | 211507    | 09-009 801-60 | 74   |            | 212069     | 09-009 733-96 | 35   | 50         |
| 210724    | 09-009 618-30 | 70   |            | 211526    | 09-009 733-09 | 13   | 14         | 212070-BF  | 09-009 733-97 | 75   |            |
| 210724    | 09-009 618-30 | 71   |            | 211527    | 09-009 733-10 | 13   | 10         | 212133     | 09-009 734-04 | 75   |            |
| 210724    | 09-009 618-30 | 72   |            | 211528    | 09-009 733-11 | 13   | 18         | 212140     | 09-009 734-05 | 29   | 33         |
| 210724    | 09-009 618-30 | 73   |            | 211529    | 09-009 733-12 | 13   | 15         | 212143     | 09-009 734-06 | 29   | 34         |
| 210724    | 09-009 618-30 | 74   |            | 211530    | 09-009 733-13 | 13   | 12         | 212144     | 09-009 734-07 | 29   | 8          |
| 210724    | 09-009 618-30 | 75   |            | 211531    | 09-009 733-14 | 37   | 3          | 212145     | 09-009 734-08 | 29   | 7          |
| 210725    | 09-009 618-33 | 23   | 28         | 211531    | 09-009 733-14 | 39   | 3          | 212146     | 09-009 734-09 | 29   | 35         |
| 210728    | 09-009 617-96 | 35   | 11         | 211533    | 09-009 733-15 | 3    | 14         | 212147     | 09-009 734-10 | 29   | 36         |
| 210731    | 09-009 618-51 | 11   | 14         | 211557    | 09-009 732-30 | 35   | 56         | 212148     | 09-009 734-11 | 39   | 1          |
| 210731    | 09-009 618-51 | 11   | 29         | 211636    | 09-009 733-16 | 35   | 1          | *212149    | 09-009 734-12 | 39   | 9          |
| 210734    | 09-009 618-53 | 11   | 25         | 211639    | 09-009 733-18 | 41   | 8          | 212152     | 09-009 734-13 | 37   | 32         |
| 210744    | 09-009 618-37 | 39   | 32         | 211649    | 09-009 733-19 | 15   | 29         | 212152     | 09-009 734-13 | 39   | 45         |
| 210750    | 09-009 618-26 | 17   | 25         | 211652    | 09-009 733-21 | 11   | 10         | 212153     | 09-009 734-14 | 37   | 33         |
| 210751    | 09-009 618-49 | 17   | 26         | 211654-T  | 09-009 824-65 | 21   | 5          | 212153     | 09-009 734-14 | 39   | 46         |
| 210756    | 09-009 804-06 | 33   | 35         | 211654-T  | 09-009 824-65 | 21   | 16         | 212154     | 09-009 734-15 | 3    | 20         |
| 210758    | 09-009 804-08 | 33   | 37         | 211655    | 09-009 733-24 | 21   | 2          | 212179     | 09-009 734-32 | 25   | 57         |
| 210759    | 09-009 804-09 | 33   | 38         | 211657    | 09-009 733-25 | 35   | 45         | 212181-BF  | 09-009 734-33 | 75   |            |
| *210766   | 09-009 823-85 | 41   | 5          | 211698    | 09-009 733-28 | 9    | 49         | *212186    | 09-009 734-34 | 15   | 5          |
| 210784    | 09-009 620-42 | 74   |            | 211698A   | 09-009 807-77 | 9    | 50         | 212188     | 09-009 734-35 | 37   | 30         |
| 210795    | 09-009 620-53 | 73   |            | 211698B   | 09-009 811-94 | 9    | 51         | 212188     | 09-009 734-35 | 39   | 42         |
| 210796    | 09-009 620-54 | 69   |            | 211702    | 09-009 733-30 | 9    | 31         | 212215     | 09-009 802-28 | 68   |            |
| 210796    | 09-009 620-54 | 73   |            | 211719    | 09-009 733-31 | 68   |            | 212215     | 09-009 802-28 | 69   |            |
| 210796    | 09-009 620-54 | 75   |            | 211719    | 09-009 733-31 | 69   |            | 212215     | 09-009 802-28 | 70   |            |
| 210797    | 09-009 620-55 | 69   |            | 211719    | 09-009 733-31 | 70   |            | 212215     | 09-009 802-28 | 71   |            |
| 210797    | 09-009 620-55 | 73   |            | 211719    | 09-009 733-31 | 72   |            | 212215     | 09-009 802-28 | 72   |            |
| 210797    | 09-009 620-55 | 75   |            | 211719    | 09-009 733-31 | 73   |            | 212215     | 09-009 802-28 | 73   |            |
| 210801    | 09-009 620-58 | 72   |            | 211719    | 09-009 733-31 | 74   |            | 212215     | 09-009 802-28 | 74   |            |
| 210801    | 09-009 620-58 | 75   |            | 211719    | 09-009 733-31 | 75   |            | 212215     | 09-009 802-28 | 75   |            |
| 210804    | 09-009 620-61 | 69   |            | 211720    | 09-009 802-26 | 71   |            | 212215A    | 09-009 807-89 | 71   |            |
| 210804    | 09-009 620-61 | 70   |            | 211771    | 09-009 807-78 | 33   | 32         | *212281A   | 09-009 824-91 | 5    | 34         |
| 210804    | 09-009 620-61 | 73   |            | 211771    | 09-009 807-78 | 71   |            | 212287     | 09-009 734-37 | 47   | 21         |
| 210804    | 09-009 620-61 | 74   |            | 211794    | 09-009 804-02 | 9    | 32         | *212325-CD | 09-009 824-81 | 3    | 12         |
| 210804    | 09-009 620-61 | 75   |            | 211799-CD | 09-009 813-16 | 9    | 1          | 212400     | 09-009 734-38 | 29   | 13         |
| 210805    | 09-009 621-59 | 69   |            | 211800    | 09-009 804-39 | 9    | 5          | 212404     | 09-009 734-39 | 29   | 23         |
| 210805    | 09-009 621-59 | 70   |            | 211801    | 09-009 804-37 | 9    | 6          | 212405     | 09-009 734-40 | 29   | 26         |
| 210805    | 09-009 621-59 | 73   |            | 211802A   | 09-009 823-89 | 25   | 10         | 212408     | 09-009 734-42 | 33   | 13         |
| 210805    | 09-009 621-59 | 74   |            | 211804    | 09-009 733-33 | 25   | 11         | 212409     | 09-009 734-43 | 33   | 17         |
| 210805    | 09-009 621-59 | 75   |            | 211823    | 09-009 733-34 | 35   | 19         | 212410     | 09-009 734-44 | 33   | 19         |
| 210806    | 09-009 620-62 | 69   |            | 211840    | 09-009 733-35 | 9    | 47         | 212412A    | 09-009 807-93 | 15   | 14         |
| 210806    | 09-009 620-62 | 70   |            | 211844    | 09-009 733-36 | 69   |            | 212413     | 09-009 734-47 | 15   | 19         |
| 210806    | 09-009 620-62 | 73   |            | 211844    | 09-009 733-36 | 70   |            | 212416     | 09-009 734-48 | 31   | 1          |
| 210806    | 09-009 620-62 | 74   |            | 211844    | 09-009 733-36 | 71   |            | 212419     | 09-009 734-51 | 31   | 11         |
| 210806    | 09-009 620-62 | 75   |            | 211844    | 09-009 733-36 | 72   |            | 212420     | 09-009 734-52 | 35   | 22         |
| 210809    | 09-009 620-65 | 72   |            | 211844    | 09-009 733-36 | 73   |            | 212430     | 09-009 807-94 | 43   | 14         |
| 210809    | 09-009 620-65 | 75   |            | 211844    | 09-009 733-36 | 74   |            | 212431     | 09-009 807-95 | 43   | 18         |
| 210881    | 09-009 618-41 | 7    | 17         | 211844    | 09-009 733-36 | 75   |            | 212432     | 09-009 807-96 | 43   | 17         |
| 210883    | 09-009 618-42 | 7    | 1          | 211874-TA | 09-009 807-79 | 75   |            | 212433     | 09-009 807-97 | 43   | 3          |
| 210898    | 09-009 618-27 | 17   | 41         | 211875-TA | 09-009 801-93 | 75   |            | 212434     | 09-009 804-43 | 43   | 11         |
| 210922    | 09-009 819-06 | 17   | 39         | 211879    | 09-009 733-40 | 47   | 23         | 212435     | 09-009 804-44 | 43   | 10         |
| 210923    | 09-009 818-28 | 17   | 42         | 211880    | 09-009 733-41 | 43   | 46         | 212436     | 09-009 806-84 | 43   | 7          |
| 210928A91 | 09-009 823-87 | 21   | 12         | 211880    | 09-009 733-41 | 47   | 24         | 212436     | 09-009 806-84 | 45   | 10         |
| 210929A91 | 09-009 824-88 | 21   | 1          | 211926-T  | 09-009 824-67 | 21   | 4          | 212437     | 09-009 807-98 | 43   | 5          |
| 210930    | 09-009 618-32 | 17   | 38         | 211926-T  | 09-009 824-67 | 21   | 15         | 212438     | 09-009 734-53 | 35   | 26         |
| 210955    | 09-009 618-77 | 43   | 37         | 211929-BF | 09-009 811-85 | 75   |            | 212439     | 09-009 734-54 | 35   | 28         |
| 211264    | 09-009 803-93 | 47   | 40         | *211941   | 09-009 733-46 | 35   | 39         | 212440     | 09-009 734-55 | 29   | 1          |
| 211265    | 09-009 806-17 | 47   | 42         | 211946    | 09-009 733-47 | 43   | 47         | 212441     | 09-009 807-99 | 49   | 18         |
| 211300    | 09-009 732-85 | 7    | 4          | 211946    | 09-009 733-47 | 47   | 25         | 212442     | 09-009 808-01 | 49   | 19         |
| 211301    | 12-305 174-15 | 25   | 39         | 211949    | 09-009 733-48 | 43   | 49         | 212443     | 09-009 808-02 | 49   | 22         |
| 211301    | 12-305 174-15 | 31   | 8          | 211958    | 09-009 733-49 | 9    | 21         | 212444     | 09-009 808-03 | 49   | 26         |
| *211313   | 09-009 820-19 | 9    | 7          | 211959-BD | 09-009 813-18 | 9    | 19         | 212445     | 09-009 734-56 | 29   | 30         |
| 211314    | 09-009 732-87 | 25   | 48         | 211995    | 09-009 735-12 | 19   | 32         | 212446     | 09-009 734-57 | 29   | 31         |
| 211345ABD | 09-009 824-89 | 13   | 22         | 212001-CD | 09-009 823-92 | 3    | 1          | 212447     | 09-009 734-58 | 29   | 27         |
| 211358    | 09-009 732-95 | 17   | 20         | 212004ACD | 09-009 824-90 | 5    | 8          | 212448     | 09-009 734-59 | 29   | 14         |
| 211358    | 09-009 732-95 | 68   |            | 212005    | 09-009 733-54 | 9    | 14         | 212449     | 09-009 734-60 | 29   | 15         |
| 211358    | 09-009 732-95 | 69   |            | 212006    | 09-009 733-55 | 9    | 12         | *212477    | 09-009 808-04 | 43   | 8          |
| 211358    | 09-009 7      |      |            |           |               |      |            |            |               |      |            |



| PART NO.  | PFAFF-NO      | PAGE | NO. REF. | PART NO. | PFAFF-NO      | PAGE | NO. REF. | PART NO.  | PFAFF-NO      | PAGE | NO. REF. |
|-----------|---------------|------|----------|----------|---------------|------|----------|-----------|---------------|------|----------|
| 205764    | 09-009 612-87 | 49   | 7        | 210091   | 09-009 613-72 | 11   | 23       | 210199    | 09-009 614-63 | 39   | 38       |
| 205765    | 09-009 612-88 | 49   | 8        | 210091   | 09-009 613-72 | 11   | 27       | 210200    | 09-009 614-64 | 37   | 18       |
| 206128-2  | 09-009 612-90 | 27   | 39       | 210092   | 09-009 613-73 | 19   | 22       | 210200    | 09-009 614-64 | 39   | 14       |
| 206129    | 09-009 612-91 | 27   | 49       | 210092   | 09-009 613-73 | 23   | 21       | 210201-CD | 09-009 814-80 | 37   | 19       |
| 206180    | 09-009 612-92 | 19   | 21       | 210093   | 09-009 613-74 | 19   | 25       | 210201-FD | 09-009 815-71 | 39   | 15       |
| 206180    | 09-009 612-92 | 33   | 8        | 210093   | 09-009 613-74 | 23   | 24       | 210202    | 09-009 614-66 | 39   | 41       |
| 206233    | 09-009 070-13 | 37   | 17       | 210099   | 09-009 613-78 | 19   | 16       | 210204    | 09-009 614-68 | 39   | 44       |
| 206233    | 09-009 070-13 | 39   | 13       | 210100   | 09-009 613-79 | 19   | 17       | 210205    | 09-009 614-80 | 39   | 43       |
| 206233    | 09-009 070-13 | 51   | 18       | 210100   | 09-009 613-79 | 27   | 10       | 210206    | 09-009 732-79 | 39   | 22       |
| 206336    | 09-009 604-60 | 49   | 6        | 210101   | 09-009 613-80 | 3    | 15       | 210208    | 09-009 614-71 | 39   | 36       |
| 206337    | 09-009 612-93 | 49   | 10       | 210102   | 09-009 613-81 | 3    | 16       | 210211    | 09-009 614-73 | 37   | 42       |
| 206337    | 09-009 612-93 | 49   | 17       | 210102   | 09-009 613-81 | 3    | 28       | 210211    | 09-009 614-73 | 39   | 55       |
| 206431    | 09-009 070-62 | 37   | 20       | 210103   | 09-009 613-82 | 19   | 28       | 210212    | 09-009 614-74 | 37   | 47       |
| 206431    | 09-009 070-62 | 39   | 16       | 210104   | 09-009 613-83 | 21   | 13       | 210212    | 09-009 614-74 | 39   | 61       |
| *206468   | 09-009 820-01 | 37   | 8        | 210105-2 | 09-009 824-77 | 21   | 9        | 210213    | 09-009 614-75 | 41   | 1        |
| 207341-JA | 09-009 823-94 | 45   | 14       | 210105-2 | 09-009 824-77 | 21   | 20       | 210214    | 09-009 614-76 | 41   | 2        |
| 207344-JA | 09-009 823-95 | 45   | 17       | *210107  | 09-009 823-97 | 21   | 7        | 210215    | 09-009 614-77 | 41   | 6        |
| 207345-JA | 09-009 823-96 | 45   | 26       | *210107  | 09-009 823-97 | 21   | 18       | 210223    | 09-009 614-83 | 9    | 23       |
| 207346    | 09-009 807-35 | 45   | 28       | 210109   | 09-009 613-88 | 19   | 34       | 210225    | 09-009 614-85 | 9    | 30       |
| 207350-JA | 09-009 824-63 | 45   | 20       | 210110   | 09-009 613-89 | 3    | 17       | 210228-PC | 09-009 807-41 | 11   | 17       |
| 207924    | 09-400 145-00 | 35   | 7        | 210112A  | 09-009 824-64 | 19   | 46       | 210228-PD | 09-009 807-40 | 11   | 2        |
| 208009    | 09-009 070-87 | 9    | 34       | 210113   | 09-009 613-92 | 19   | 47       | 210229    | 09-009 614-87 | 11   | 4        |
| 208168    | 09-009 604-71 | 27   | 45       | 210114   | 09-009 613-93 | 19   | 41       | 210229    | 09-009 614-87 | 11   | 19       |
| 208173    | 09-009 604-72 | 5    | 30       | 210115   | 09-009 613-94 | 19   | 42       | 210231    | 09-009 614-89 | 15   | 27       |
| 208173    | 09-009 604-72 | 19   | 38       | 210117   | 09-009 613-95 | 7    | 33       | 210232    | 09-009 614-90 | 15   | 13       |
| 208235    | 09-009 606-51 | 25   | 24       | 210118   | 09-009 613-96 | 19   | 39       | 210233    | 09-009 614-91 | 3    | 3        |
| 208235    | 09-009 606-51 | 27   | 40       | 210122   | 09-009 613-99 | 23   | 20       | 210234    | 09-009 614-92 | 3    | 2        |
| 208235    | 09-009 606-51 | 33   | 16       | 210123   | 09-009 614-00 | 23   | 16       | 210235    | 09-009 614-93 | 15   | 8        |
| 208245    | 09-009 612-96 | 7    | 24       | 210124   | 09-009 614-01 | 3    | 24       | 210236    | 09-009 614-94 | 15   | 11       |
| 208411    | 09-009 607-41 | 25   | 8        | 210125   | 09-009 614-02 | 3    | 25       | 210237A-2 | 09-009 614-95 | 15   | 15       |
| 208415    | 09-009 607-44 | 25   | 9        | 210127   | 09-009 614-04 | 25   | 15       | 210238-2  | 09-009 614-96 | 15   | 10       |
| 208447    | 09-009 607-58 | 17   | 2        | 210128A  | 09-009 815-66 | 25   | 20       | 210239    | 09-009 614-97 | 15   | 1        |
| 208447    | 09-009 607-58 | 19   | 2        | 210129   | 09-009 614-06 | 25   | 16       | 210240    | 09-009 614-98 | 15   | 2        |
| 208447    | 09-009 607-58 | 23   | 2        | 210130   | 09-009 614-07 | 25   | 17       | 210241    | 09-009 614-99 | 15   | 4        |
| 208448    | 09-009 607-59 | 17   | 3        | 210136   | 09-009 614-11 | 25   | 6        | 210242    | 09-009 615-00 | 3    | 4        |
| 208448    | 09-009 607-59 | 19   | 3        | 210137   | 09-009 614-12 | 25   | 1        | 210264    | 09-009 615-20 | 17   | 12       |
| 208448    | 09-009 607-59 | 23   | 3        | 210138   | 09-009 614-13 | 25   | 4        | 210267    | 09-009 615-22 | 19   | 20       |
| 208449    | 09-009 607-60 | 17   | 7        | 210139   | 09-009 614-14 | 25   | 2        | 210297    | 09-009 615-49 | 3    | 21       |
| 208449    | 09-009 607-60 | 19   | 7        | 210140   | 09-009 614-15 | 25   | 13       | 210314    | 09-009 615-64 | 33   | 9        |
| 208449    | 09-009 607-60 | 23   | 7        | 210141A  | 09-009 807-39 | 25   | 22       | 210319    | 09-009 615-68 | 17   | 6        |
| 208450    | 09-009 607-61 | 17   | 5        | 210143   | 09-009 614-18 | 3    | 27       | 210319    | 09-009 615-68 | 19   | 6        |
| 208450    | 09-009 607-61 | 19   | 5        | 210144   | 09-009 614-19 | 27   | 2        | 210319    | 09-009 615-68 | 23   | 6        |
| 208450    | 09-009 607-61 | 23   | 5        | 210145   | 09-009 614-20 | 27   | 4        | 210323    | 09-009 615-71 | 35   | 20       |
| 208525-B  | 09-009 807-37 | 35   | 48       | 210146   | 09-009 614-21 | 27   | 5        | 210328    | 09-009 615-75 | 29   | 2        |
| 208537    | 09-009 607-73 | 35   | 38       | 210147   | 09-009 614-22 | 27   | 20       | 210335    | 09-009 615-80 | 35   | 4        |
| 208579    | 09-009 612-98 | 33   | 2        | 210148   | 09-009 614-23 | 27   | 21       | 210343    | 09-009 615-87 | 27   | 24       |
| 208592    | 09-009 607-92 | 19   | 44       | 210148   | 09-009 614-23 | 29   | 10       | 210349    | 09-009 615-93 | 19   | 11       |
| 208599    | 09-009 607-95 | 35   | 43       | 210148   | 09-009 614-23 | 31   | 32       | 210350    | 09-009 615-94 | 19   | 13       |
| 208687    | 09-009 732-77 | 39   | 5        | 210152   | 09-009 614-24 | 27   | 7        | 210353    | 09-009 615-97 | 23   | 35       |
| 208744    | 09-009 817-02 | 9    | 28       | 210153   | 09-009 614-25 | 27   | 32       | 210365    | 09-009 616-04 | 68   |          |
| 208747    | 09-009 603-37 | 9    | 26       | 210154   | 09-009 614-26 | 27   | 19       | 210365    | 09-009 616-04 | 69   |          |
| 208774    | 09-009 612-99 | 35   | 40       | 210155   | 09-009 614-27 | 27   | 31       | 210365    | 09-009 616-04 | 70   |          |
| 209287    | 09-009 807-38 | 45   | 19       | 210156   | 09-009 614-28 | 27   | 38       | 210365    | 09-009 616-04 | 72   |          |
| 210002    | 09-009 613-02 | 5    | 4        | 210157   | 09-009 614-29 | 27   | 41       | 210365    | 09-009 616-04 | 73   |          |
| 210003    | 09-009 613-03 | 5    | 31       | 210158   | 09-009 614-30 | 27   | 43       | 210365    | 09-009 616-04 | 74   |          |
| 210003    | 09-009 613-03 | 5    | 33       | 210159   | 09-009 614-31 | 27   | 48       | 210366    | 09-009 620-33 | 68   |          |
| 210005    | 09-009 613-04 | 5    | 23       | 210160   | 09-009 614-32 | 27   | 46       | 210366    | 09-009 620-33 | 69   |          |
| 210006    | 09-009 613-05 | 7    | 31       | 210161   | 09-009 614-33 | 25   | 25       | 210366    | 09-009 620-33 | 73   |          |
| 210007    | 09-009 613-06 | 7    | 29       | 210162   | 09-009 614-34 | 25   | 27       | 210366    | 09-009 620-33 | 74   |          |
| 210020    | 09-009 613-12 | 7    | 13       | 210163   | 09-009 614-35 | 25   | 29       | 210371    | 09-009 616-07 | 75   |          |
| 210021    | 09-009 618-04 | 7    | 21       | 210164   | 09-009 614-36 | 3    | 26       | 210374    | 09-009 616-10 | 75   |          |
| 210022    | 09-009 613-13 | 7    | 2        | 210166   | 09-009 614-37 | 25   | 35       | 210445-BF | 09-009 616-58 | 75   |          |
| 210022    | 09-009 613-13 | 7    | 27       | 210167   | 09-009 614-38 | 25   | 37       | 210503    | 09-009 617-03 | 75   |          |
| 210023    | 09-009 613-14 | 7    | 23       | 210167   | 09-009 614-38 | 31   | 6        | *210510   | 09-009 617-04 | 37   | 39       |
| 210024    | 09-009 613-15 | 7    | 5        | 210168   | 09-009 614-39 | 25   | 40       | *210510   | 09-009 617-04 | 39   | 52       |
| 210025    | 09-009 613-16 | 7    | 8        | 210170   | 09-009 614-40 | 25   | 41       | 210511    | 09-009 617-05 | 15   | 25       |
| 210025    | 09-009 613-16 | 7    | 12       | 210171   | 09-009 614-41 | 25   | 45       | 210517    | 09-009 617-09 | 35   | 36       |
| 210025    | 09-009 613-16 | 7    | 28       | 210171   | 09-009 614-41 | 31   | 3        | 210520    | 09-009 617-12 | 37   | 50       |
| 210026-CB | 09-009 824-87 | 7    | 18       | 210172   | 09-009 614-42 | 25   | 51       | 210520    | 09-009 617-12 | 39   | 58       |
| 210027-CB | 09-009 824-75 | 7    | 9        | 210173   | 09-009 614-43 | 11   | 6        | 210521    | 09-009 617-13 | 37   | 45       |
| 210028-CB | 09-009 815-10 | 9    | 8        | 210173   | 09-009 614-43 | 11   | 21       | 210521    | 09-009 617-13 | 39   | 59       |
| 210035    | 09-009 613-27 | 9    | 4        | 210175   | 09-009 614-45 | 33   | 11       | 210523    | 09-009 617-14 | 49   | 4        |
| 210042    | 09-009 613-31 | 9    | 33       | 210178A  | 09-009 814-56 | 33   | 3        | 210528    | 09-009 617-16 | 5    | 15       |
| 210043    | 09-009 613-32 | 9    | 37       | 210179   | 09-009 614-49 | 33   | 21       | 210529-BA | 09-009 812-91 | 17   | 1        |
| 210044    | 09-009 613-33 | 9    | 45       | 210180   | 09-009 614-50 | 33   | 23       | 210529-BA | 09-009 812-91 | 17   | 10       |
| 210045    | 09-009 613-34 | 9    | 43       | 210183   | 09-009 614-51 | 33   | 29       | 210530-BA | 09-009 812-90 | 23   | 1        |
| 210046    | 09-009 613-35 | 9    | 41       | 210184   | 09-009 614-52 | 33   | 26       | 210531-BA | 09-009 812-92 | 19   | 1        |
| 210047    | 09-009 613-36 | 9    | 38       | *210188  | 09-009 614-55 | 39   | 2        | 210532    | 09-009 617-20 | 25   | 55       |
| 210055    | 09-009 613-43 | 13   | 20       | 210190   | 09-009 614-57 | 37   | 28       | 210533    | 09-009 617-21 | 25   | 54       |
| 210056    | 09-009 613-44 | 13   | 16       | 210190   | 09-009 614-57 | 39   | 39       | 210534    | 09-009 617-22 | 25   | 52       |
| 210057    | 09-009 613-45 | 3    | 5        | *210191  |               | 39   | 49       | 210535    | 09-009 617-23 | 25   | 50       |
| 210057    | 09-009 613-45 | 13   | 17       | *210192  | 09-009 614-59 | 37   | 37       | 210539    | 09-009 617-25 | 41   | 11       |
| 210058    | 09-009 613-46 | 13   | 21       | *210192  | 09-009 614-59 | 39   | 50       | 210569-BF | 91-009 812-25 | 74   |          |
| 210062    | 09-009 613-49 | 13   | 7        | 210193   | 09-009 614-60 | 37   | 35       | 210574-BF | 09-009 617-32 | 69   |          |
| 210067    | 09-009 613-54 | 3    | 19       | 210193   | 09-009 614-60 | 39   | 48       | 210574-BF | 09-009 617-32 | 70   |          |
| 210068    | 09-009 613-55 | 3    | 18       | 210194   | 09-009 614-61 | 37   | 38       | 210574-BF | 09-009 617-32 | 73   |          |
| 210069    | 09-009 613-56 | 15   | 24       | 210194   | 09-009 614-61 | 39   | 51       | 210574-BF | 09-009 617-32 | 74   |          |
| 210069    | 09-009 613-56 | 33   | 7        | 210198   | 09-009 614-62 | 37   | 26       | 210574-BF | 09-009 617-32 | 75   |          |
| 210091    | 09-009 613-72 | 11   | 8        | 210198   | 09-009 614-62 | 39   | 37       | 210585    | 09-009 617-43 | 19   | 26       |
| 210091    | 09-009 613-72 | 11   | 12       | 210199   | 09-009 614-63 | 37   | 27       | 210585    | 09-009 617-43 | 23   | 26       |

Notice) Parts with mark \* are not for sale

| PART NO.   | PFAFF-NO      | PAGE | NO. REF. | PART NO.   | PFAFF-NO      | PAGE | NO. REF. | PART NO. | PFAFF-NO | PAGE | NO. REF. |
|------------|---------------|------|----------|------------|---------------|------|----------|----------|----------|------|----------|
| 212484     | 09-009 808-08 | 45   | 11       | 212764-50  | 09-009 808-88 | 73   |          |          |          |      |          |
| 212485     | 09-009 808-09 | 45   | 16       | 212766-30  | 09-009 808-89 | 73   |          |          |          |      |          |
| 212486     | 09-009 806-34 | 45   | 22       | 212766-30  | 09-009 808-89 | 74   |          |          |          |      |          |
| 212487     | 09-009 808-10 | 45   | 13       | 212766-40  | 09-009 808-90 | 73   |          |          |          |      |          |
| *212489ACD | 09-009 823-70 | 5    | 7        | 212766-40  | 09-009 808-90 | 74   |          |          |          |      |          |
| 212492     | 09-009 808-11 | 45   | 29       | 212766-50  | 09-009 808-91 | 73   |          |          |          |      |          |
| 212493-JA  | 08-009 823-71 | 45   | 30       | 212766-50  | 09-009 808-91 | 74   |          |          |          |      |          |
| 212502     | 09-009 804-45 | 23   | 34       | 212766A30  | 09-009 808-92 | 74   |          |          |          |      |          |
| 212503     | 09-009 804-31 | 17   | 28       | 212766A50  | 09-009 808-93 | 74   |          |          |          |      |          |
| 212504     | 09-009 804-32 | 17   | 27       | 212766A50  | 09-009 808-94 | 74   |          |          |          |      |          |
| 212572-BF  | 09-009 804-50 | 69   |          | 212768-10F | 09-009 808-95 | 73   |          |          |          |      |          |
| 212572-BF  | 09-009 804-50 | 70   |          | 212768-10F | 09-009 808-95 | 74   |          |          |          |      |          |
| 212572-BF  | 09-009 804-50 | 73   |          | 212774-40  | 09-009 809-01 | 71   |          |          |          |      |          |
| 212572-BF  | 09-009 804-50 | 74   |          | 212774-50  | 09-009 809-02 | 71   |          |          |          |      |          |
| 212600     | 09-009 808-23 | 43   | 13       | 212778B25  | 09-009 824-70 | 71   |          |          |          |      |          |
| 212601     | 09-009 808-24 | 43   | 21       | 212778B35  | 09-009 824-71 | 71   |          |          |          |      |          |
| 212602     | 09-009 808-25 | 43   | 29       | 212778B45  | 09-009 824-72 | 71   |          |          |          |      |          |
| 212603     | 09-009 808-26 | 43   | 34       | 212781     | 09-009 613-61 | 69   |          |          |          |      |          |
| 212604     | 09-009 808-27 | 43   | 25       | 212781     | 09-009 613-61 | 70   |          |          |          |      |          |
| 212606     | 09-009 806-39 | 43   | 27       | 212781     | 09-009 613-61 | 71   |          |          |          |      |          |
| 212607     | 09-009 808-28 | 43   | 28       | 212781     | 09-009 613-61 | 72   |          |          |          |      |          |
| 212609-91  | 09-009 808-29 | 9    | 16       | 212781     | 09-009 613-61 | 73   |          |          |          |      |          |
| 212634     | 09-009 808-30 | 37   | 41       | 212781     | 09-009 613-61 | 74   |          |          |          |      |          |
| 212634     | 09-009 808-30 | 39   | 54       | 212781     | 09-009 613-61 | 75   |          |          |          |      |          |
| 212644     | 09-009 804-51 | 68   |          | 212785     | 09-009 804-83 | 15   | 34       |          |          |      |          |
| 212644     | 09-009 804-51 | 69   |          | 212786-91  | 09-009 804-84 | 15   | 35       |          |          |      |          |
| 212644     | 09-009 804-51 | 70   |          | *212821-CD |               | 3    | 13       |          |          |      |          |
| 212644     | 09-009 804-51 | 72   |          | 212938     | 09-009 824-05 | 43   | 42       |          |          |      |          |
| 212644     | 09-009 804-51 | 73   |          | 212939     | 09-009 824-06 | 43   | 43       |          |          |      |          |
| 212644     | 09-009 804-51 | 74   |          | 212972A91  | 09-009 820-02 | 37   | 1        |          |          |      |          |
| 212644     | 09-009 808-32 | 31   | 21       | *212976    | 09-009 820-03 | 37   | 2        |          |          |      |          |
| 212650     | 09-009 804-52 | 31   | 31       | 212978-91  | 09-009 820-04 | 37   | 5        |          |          |      |          |
| 212651     | 09-009 808-35 | 31   | 18       | *212979    | 09-009 820-05 | 37   | 6        |          |          |      |          |
| 212652     | 09-009 804-55 | 31   | 15       | *212980    | 09-009 820-06 | 37   | 7        |          |          |      |          |
| 212653     | 09-009 808-34 | 31   | 24       | 212981     | 09-009 820-07 | 37   | 9        |          |          |      |          |
| 212655     | 09-009 808-34 | 43   | 1        | 212983-91  | 09-009 820-08 | 37   | 10       |          |          |      |          |
| 212655A91  | 08-009 824-01 | 43   | 2        | 212987     | 09-009 820-09 | 13   | 11       |          |          |      |          |
| 212657B    | 09-009 808-38 | 11   | 16       | 212998     | 09-009 823-74 | 37   | 31       |          |          |      |          |
| 212658     | 09-009 804-56 | 43   | 40       | 213222A    | 09-009 823-75 | 33   | 1        |          |          |      |          |
| 212658A    | 09-009 824-02 | 43   | 45       | 213513     | 09-009 824-73 | 68   |          |          |          |      |          |
| 212659     | 09-009 806-38 | 43   | 35       | 213514-30  | 09-009 823-23 | 68   |          |          |          |      |          |
| 212660     | 09-009 808-39 | 43   | 38       | 213514-40  | 09-009 824-47 | 68   |          |          |          |      |          |
| 212668     | 09-009 804-59 | 35   | 58       | 213514-50  | 09-009 824-48 | 68   |          |          |          |      |          |
| 212669A    | 09-009 808-43 | 35   | 32       | 213542-30  | 09-009 824-49 | 68   |          |          |          |      |          |
| 212670B    | 09-009 808-44 | 11   | 1        | 213542-40  | 09-009 824-50 | 68   |          |          |          |      |          |
| 212673-30  | 09-009 804-62 | 68   |          | 213548-40  | 09-009 823-38 | 68   |          |          |          |      |          |
| 212673-30  | 09-009 804-62 | 69   |          | 213548-50  | 09-009 824-51 | 68   |          |          |          |      |          |
| 212673-40  | 09-009 804-63 | 68   |          | 213550-13F | 09-009 824-52 | 71   |          |          |          |      |          |
| 212673-40  | 09-009 804-63 | 69   |          | 213567-16F | 09-009 824-53 | 71   |          |          |          |      |          |
| 212673-50  | 09-009 804-64 | 69   |          | 213570-10F | 09-009 824-54 | 68   |          |          |          |      |          |
| 212673A30  | 09-009 808-45 | 70   |          | 213571-16F | 09-009 824-55 | 68   |          |          |          |      |          |
| 212673A40  | 09-009 808-46 | 70   |          | 213572-16F | 09-009 824-55 | 68   |          |          |          |      |          |
| 212673A50  | 09-009 808-47 | 70   |          | 213573-16F | 09-009 824-56 | 68   |          |          |          |      |          |
| 212673B30  | 09-009 824-43 | 71   |          | 213574-13F | 09-009 824-57 | 68   |          |          |          |      |          |
| 212673B40  | 09-009 824-44 | 71   |          | 213575-13F | 09-009 824-58 | 68   |          |          |          |      |          |
| 212673B50  | 09-009 824-45 | 71   |          | 213576-30  | 09-009 824-59 | 68   |          |          |          |      |          |
| 212677-10F | 09-009 804-65 | 68   |          | 213576-40  | 09-009 824-60 | 68   |          |          |          |      |          |
| 212677-10F | 09-009 804-65 | 69   |          | 213576-50  | 09-009 824-61 | 68   |          |          |          |      |          |
| 212677-10F | 09-009 804-65 | 70   |          | 213578A    | 09-009 823-78 | 37   | 11       |          |          |      |          |
| 212677-10F | 09-009 804-65 | 72   |          | 213579     | 09-009 823-79 | 37   | 12       |          |          |      |          |
| 212677A10F | 09-009 824-46 | 71   |          | *230047    | 09-400 154-00 | 5    | 25       |          |          |      |          |
| 212704-13F | 09-009 804-74 | 74   |          | 240052     | 91-179 447-05 | 5    | 5        |          |          |      |          |
| 212705     | 09-009 808-60 | 35   | 47       | 240102     | 09-400 167-00 | 13   | 6        |          |          |      |          |
| 212719A    | 09-009 808-61 | 35   | 35       | 240148     | 09-009 813-80 | 15   | 18       |          |          |      |          |
| 212721     | 09-009 804-75 | 17   | 16       | 240172     | 09-009 814-64 | 35   | 10       |          |          |      |          |
| 212722     | 09-009 808-63 | 17   | 44       | 252531     | 09-400 264-00 | 31   | 20       |          |          |      |          |
| 212722A    | 09-009 808-62 | 17   | 18       | 300248     | 09-009 070-98 | 33   | 34       |          |          |      |          |
| 212723     | 09-009 808-65 | 17   | 43       | 301373     | 09-009 802-27 | 68   |          |          |          |      |          |
| 212723A    | 09-009 808-64 | 17   | 14       | 303067     | 12-501 170-45 | 49   | 24       |          |          |      |          |
| 212726     | 09-009 804-78 | 23   | 32       | 303487     | 09-009 734-75 | 37   | 34       |          |          |      |          |
| 212727     | 09-009 806-47 | 23   | 14       | 303487     | 09-009 734-75 | 39   | 47       |          |          |      |          |
| 212728     | 09-009 806-89 | 19   | 29       | 307003     | 09-009 734-76 | 29   | 29       |          |          |      |          |
| 212730-30  | 09-009 808-66 | 71   |          | 307003     | 09-009 734-76 | 31   | 17       |          |          |      |          |
| 212730-40  | 09-009 808-67 | 71   |          | 307003     | 09-009 734-76 | 31   | 23       |          |          |      |          |
| 212730-50  | 09-009 808-68 | 71   |          | 307003     | 09-009 734-76 | 31   | 28       |          |          |      |          |
| 212731-25  | 09-009 808-71 | 71   |          | 307003     | 09-009 734-76 | 33   | 15       |          |          |      |          |
| 212731-35  | 09-009 808-72 | 71   |          | 307003     | 09-009 734-76 | 35   | 15       |          |          |      |          |
| 212731-45  | 09-009 808-73 | 71   |          | 9A3001     | 09-009 807-24 | 5    | 2        |          |          |      |          |
| 212736-50  | 09-009 808-75 | 72   |          | 9A3002     | 09-009 814-81 | 37   | 51       |          |          |      |          |
| 212738-40  | 09-009 808-76 | 72   |          |            |               |      |          |          |          |      |          |
| 212740-13F | 09-009 808-77 | 72   |          |            |               |      |          |          |          |      |          |
| 212757-40  | 09-009 811-95 | 69   |          |            |               |      |          |          |          |      |          |
| 212757-50  | 09-009 808-83 | 69   |          |            |               |      |          |          |          |      |          |
| 212759-16F | 09-009 808-84 | 72   |          |            |               |      |          |          |          |      |          |
| 212759-16F | 09-009 808-84 | 75   |          |            |               |      |          |          |          |      |          |
| 212760-13F | 09-009 806-92 | 68   |          |            |               |      |          |          |          |      |          |
| 212761-40  | 09-009 804-82 | 74   |          |            |               |      |          |          |          |      |          |
| 212763-10F | 09-009 808-85 | 74   |          |            |               |      |          |          |          |      |          |
| 212764-30  | 09-009 808-86 | 73   |          |            |               |      |          |          |          |      |          |
| 212764-40  | 09-009 808-87 | 73   |          |            |               |      |          |          |          |      |          |

Notice! Parts with mark \* are not for sale.